

# PILLAR HYDRANT



**LYE MANUFACTURING SDN. BHD. (32836-H)**  
Manufacturer of Valves, Hydrants, Joints, Fittings & Manhole Covers.  
Lot 1844, Jalan KPB 8, Kampung Baru Balakong, 43300 Kajang, Selangor Darul Ehsan, Malaysia.  
FACTORY: Tel : 603 - 8961 1623, Fax : 603 - 8961 1092  
SALES: Tel : 603 - 6140 3131 (Hunting Line) Fax : 603 - 6140 5858  
WEBSITE: [www.lye.com.my](http://www.lye.com.my)  
EMAIL: [enquiry@lye.com.my](mailto:enquiry@lye.com.my)



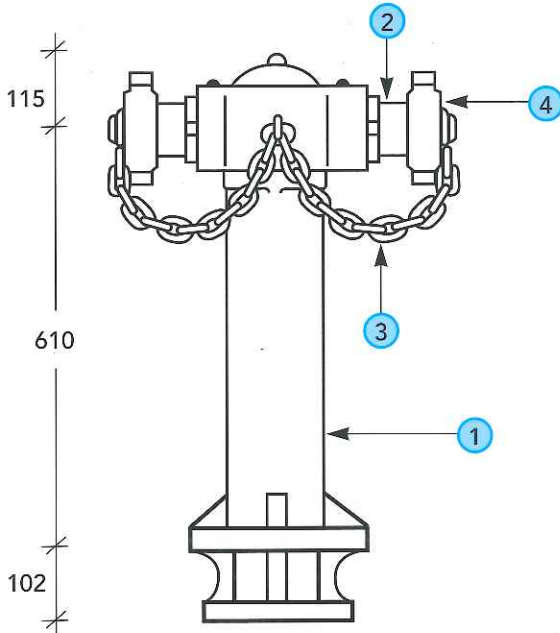
ISO 9001:2008 Certified



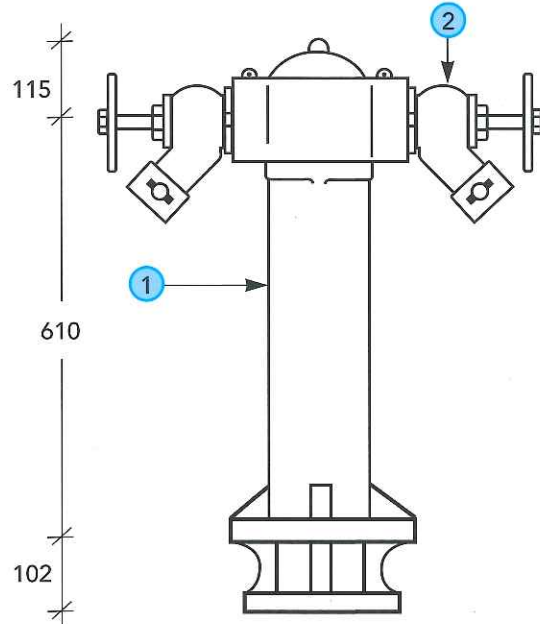
# PILLAR HYDRANT

## PILI BOMBA (TIANG PAIP AIR)

### 100mm PILLAR HYDRANT C/W OUTLET Model : 7625



### 100mm PILLAR HYDRANT C/W LANDING VALVE Model : 7625 (A)

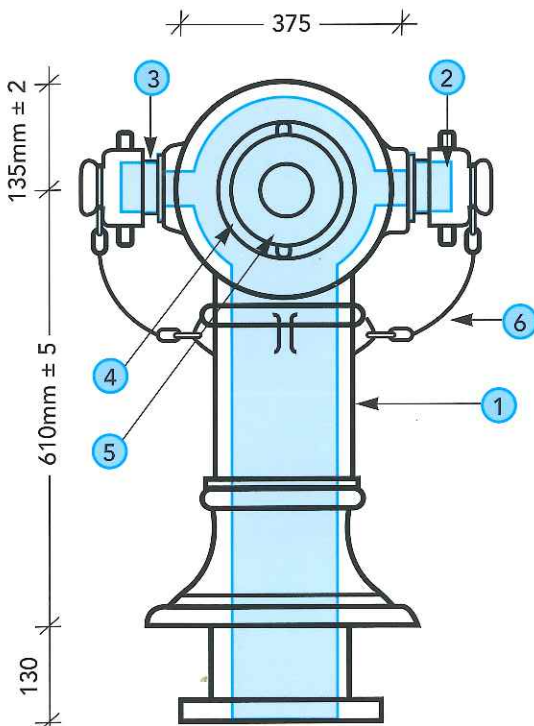


PARTS MATERIAL ( DIAGRAM 1 )

NO	DESCRIPTION	MATERIAL	BS. REF. NO.
1	BODY	C.IRON / D. IRON	1452 Gr.220 / EN 1563 500/7
2	OUTLET	GUN METAL	1400 LG 2
3	CHAIN	GAL IRON	—
4	CAP	C. IRON / D. IRON	1452 Gr.220 / EN 1563 500/7

PARTS MATERIAL ( DIAGRAM 2 )

NO	DESCRIPTION	MATERIAL	BS. REF. NO.
1	BODY	C.IRON / D. IRON	1452 Gr.220 / EN 1563 500/7
2	LANDING VALVE	GUN METAL	BS 5041



### LYE 150MM 3 WAY PILLAR HYDRANT

PARTS MATERIAL ( DIAGRAM 3 )

NO	DESCRIPTION	MATERIAL	SIZE (mm)	BS. REF. NO.
1	BODY	C. IRON / D. IRON	150mm	1452 Gr.220 / 500/7
2	CAP	C. IRON / D. IRON	65mm V Thread (F)	1452 Gr.220 / 500/7
3	OUTLET	GUN METAL	65mm V Thread (M)	1400 LG 2
4	CAP	C. IRON / D. IRON	100mm R1 Thread (F)	1452 Gr.220 / 500/7
5	OUTLET	GUN METAL	100mm R1 Thread (M)	1400 LG 2
6	CHAIN	GAL IRON	10mm	—