

DETACHABLE

# DEDICATED COUPLING DETACHABLE JOINT (DJ) & VARIABLE ADAPTOR (VA) STRAIGHT & STEPPED PIPE JOINTING SOLUTIONS



	Detachable Joint (DJ), Straight Coupling	Variable Adaptor (VA), Stepped Coupling
In Brief	<ul style="list-style-type: none"> <li>▶ Dedicated Straight &amp; Stepped Couplings for Joining Plain Ended Pipes</li> <li>▶ Standard Long Collar Product Design is Ideal for Pipe Laying, Maintenance &amp; Works Repair for All Installations</li> <li>▶ Maximum Temperature -10°C To 70°C</li> <li>▶ Working Pressure PN 10/16</li> <li>▶ Suitable for Potable Water, Neutral Liquids and Sewage</li> <li>▶ Fusion Bonded Epoxy</li> <li>▶ Seal : EPDM</li> </ul>	
Standards	<ul style="list-style-type: none"> <li>▶ Design : SPESIFIKASI JKR 20200-0045-99</li> <li>▶ Test : EN 12266-1</li> <li>▶ TYPE A : For AC (MS 712, AS 1711) &amp; MS (JKR) Pipes</li> <li>▶ TYPE B : For UPVC (MS 628, BS 6920) &amp; MS (BS 534, AS 1579, SPAN TS 21827) Pipes</li> <li>▶ TYPE D : For TYPE A To TYPE B Pipe Materials</li> </ul>	
	▶ Pipe Materials with Similar OD	▶ Pipe Materials with Different OD
Features	<ul style="list-style-type: none"> <li>▶ Range of DJ &amp; VA Joint Sizes : DN80 to DN300</li> <li>▶ Quick, Reliable &amp; Cost-Effective Jointing Solutions for Rigid Pipe Materials</li> <li>▶ Leak Free Sealing by O-Ring Type Rubber Gasket</li> </ul>	



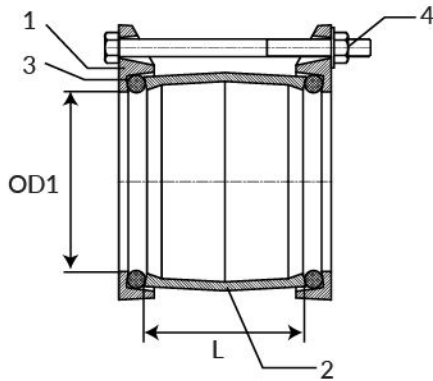
**LYE MANUFACTURING SDN.BHD.** (197701001852 (32836-H))  
Manufacturer of Valves, Hydrants, Joints, Fittings & Manhole Covers

**DEDICATED COUPLING  
DETACHABLE JOINT (DJ) & VARIABLE ADAPTOR (VA)  
STRAIGHT & STEPPED PIPE JOINTING SOLUTIONS**

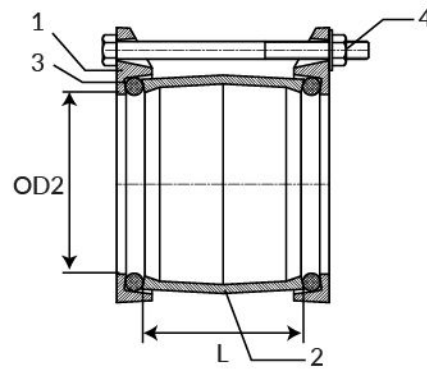
**Technical Table**

**Detachable Joint (DJ)**

**Type A**

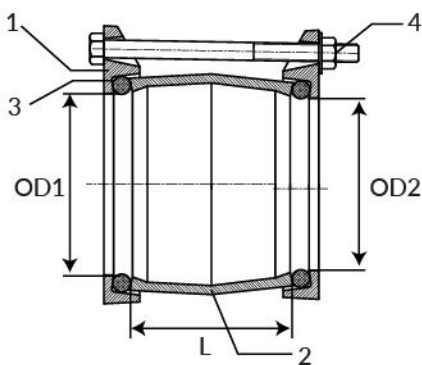


**Type B**



**Variable Adaptor (VA)**

**Type D**



**Assembly Chart**

No.	Component	Material	Standard Ref.
1	Gland Flange	Ductile Iron	BS EN 1563
2	Sleeve / Collar	Ductile Iron	BS EN 1563
3	Gasket	EPDM	BS EN 681
4	Bolt & Nut	Hot Dipped Galvanized Steel	BS EN 4190

**Specifications & Parameters Chart  
for DJ Joints, Type A & B & VA Joints, Type D**

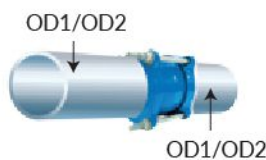
DN (mm)	OD1 (mm)	OD2 (mm)	L (mm)	Bolts
80	95.6	88.9	100	M12x4
100	121.9/*125	114.3	110	M12x4
150	177.3/*180	168.3	130	M12x4
200	232.2	219.1	150	M12x4
250	286.0	273.0	165	M12x4
300	345.4	323.9	170	M12x5

\*Good installation practice may be required, contact LYE for further advise.

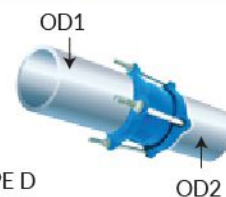
**Jointing Assembly**

Detachable Joint (DJ) Straight Coupling	Variable Adaptor (VA) Stepped Coupling
--	---

OD1 to OD1 = TYPE A  
OD2 to OD2 = TYPE B



OD1 to OD 2 = TYPE D



Note: Technical data provided in this brochure is indicative only and may be subject to change without prior notice.



**LYE MANUFACTURING SDN.BHD.** (197701001852 (32836-H))

Manufacturer of Valves, Hydrants, Joints, Fittings & Manhole Covers

Lot 1844, Jalan KPB 8, Kampung Baru Balakong, 43300 Kajang, Selangor Darul Ehsan, Malaysia.

FACTORY Tel: 603 - 8961 1623 Fax: 603 - 8961 1092 SALES Tel: 603 - 6140 3131(Hunting Line) Fax: 603 - 6140 5858

EMAIL: enquiry@lye.com.my

