

LYE DUCTILE IRON

POLY RESTRAINT JOINT

LYE POLY RESTRAINT COUPLINGS •
FOR POLYETHYLENE PIPE
(MODEL : **LYE** 785)



LYE POLY RESTRAINT •
FLANGE ADAPTORS
FOR POLYETHYLENE PIPE
(MODEL : **LYE** 786)



The **LYE** Poly Restraint Couplings and Flange Adaptors, designed specifically for use on Polyethylene pipes, is a self-anchoring unit mechanically fitted to pipe ends. Applicable in all environments, these **LYE** Poly Restraint Joints is another product to enhance piping systems.



The Brand Of Reliability

LYE MANUFACTURING SDN. BHD. (32836-H)

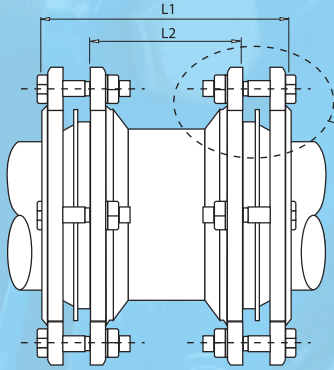
Manufacturer of Valves, Hydrants, Joints, Fittings & Manhole Covers.



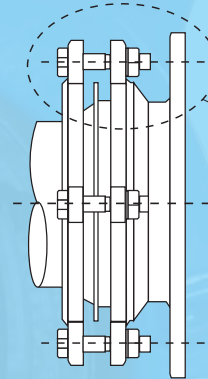
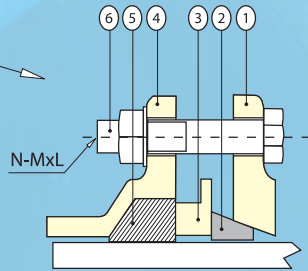


LYE DUCTILE IRON

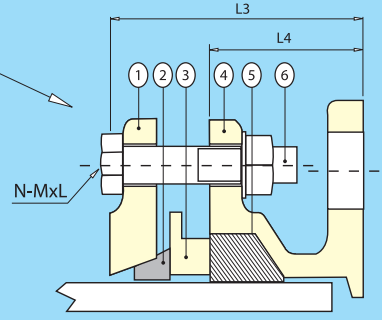
POLY RESTRAINT JOINT



LYE Poly Restraint Couplings



LYE Poly Restraint Flange Adaptors



Overall Dimensions for LYE Poly Restraint Couplings & Flange Adaptors

LYE Poly Restraint Couplings			LYE Poly Restraint Flange Adaptors			Flange Information				
DN	L1 (mm)	L2 (mm)	DN	L3 (mm)	L4 (mm)	DN	PN10/16	BS10/D	BS10/E	ANSI/150
63	232	130	63	116	65	80	*			*
90	242	140	90	121	70	80	*			*
110	250	146	110	125	73	100	*	*	*	*
125	254	150	125	162	110	100	*	*	*	*
160	294	174	160	150	90	150	*			*
180	300	180	180	185	125	150	*			*
225	321	200	225	185	125	200	*	*	*	*
250	338	200	250	199	130	250	*		*	*
280	338	200	280	209	140	250	*		*	*
315	348	210	315	219	150	300	*			*

Materials for Main Parts

No.	Description	Material	Grade
1	End Ring	Ductile Iron	500/7
2	Grip Ring	Stainless Steel	304S31
3	Intermediate Ring	Ductile Iron	500/7
4	Body	Ductile Iron	500/7
5	Gasket	Rubber	EPDM
6	Bolts & Nuts	Galvanized Steel	A3

Features & Benefits

Full range available DN63 - DN315

- Couplings and flange adaptors are available.
- Full pressure rating. (up to 16 Bars)

Easy to fit

- No special tools required for installation.
- All weather installation, even under water.

Outstanding protection from corrosion

- The **LYE** Poly Restraint Couplings and Flange Adaptors are coated in Fusion Bonded Epoxy (FBE) which makes it well equipped to withstand any storage, site and corrosion damage.

Please Note: Technical data provided is indicative only and may be subject to change without notice



LYE MANUFACTURING SDN. BHD. (32836-H)
Manufacturer of Valves, Hydrants, Joints, Fittings & Manhole Covers.
 Lot 1844, Jalan KPB 8, Kampung Baru Balakong, 43300 Kajang, Selangor Darul Ehsan, Malaysia.
FACTORY: Tel : 603 - 8961 1623, Fax : 603 - 8961 1092
SALES: Tel : 603 - 6140 3131 (Hunting Line) Fax : 603 - 6140 5858
WEBSITE: www.lye.com.my
EMAIL: enquiry@lye.com.my

