

LYE AIR VALVES SERIES

DOUBLE ORIFICE KINETIC & SINGLE LARGE ORIFICE

DOUBLE ORIFICE KINETIC



SINGLE LARGE ORIFICE



LYE MANUFACTURING SDN. BHD. (32836-H)

Manufacturer of Valves, Hydrants, Ductile Iron and Brass Products.

SALES OFFICE : Lot 36, Jalan BRP 9/2B, Putra Industrial Park, Bukit Rahman Putra, 47000 Sg. Buloh, Selangor Darul Ehsan, Malaysia.
Tel: 603-6140 3131 (Hunting Line) Fax: 603-6140 5858 Email: lye_manufacturing@yahoo.com

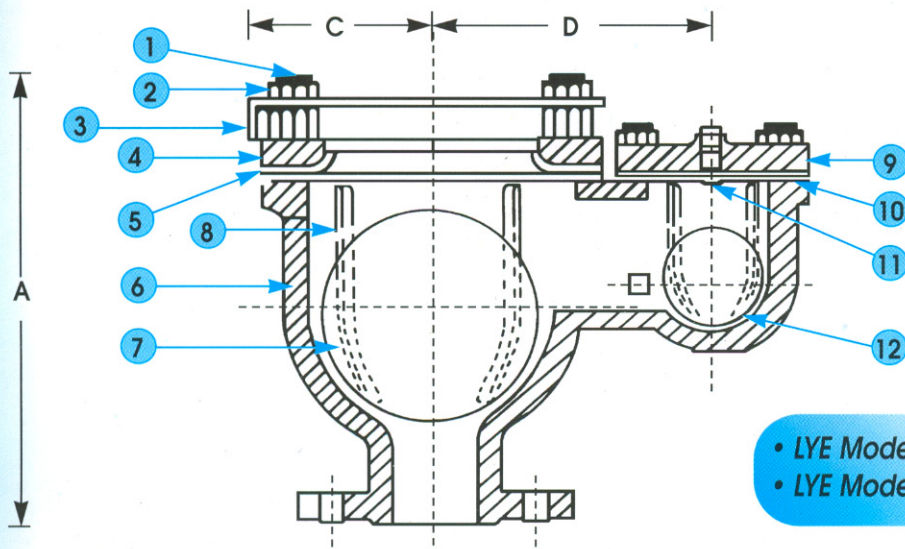
FACTORY : Lot 1844, Kg. Baru Balakong, Off Batu 13, Jalan Sg. Besi, 43300 Kajang, Selangor Darul Ehsan, Malaysia.
POSTAL ADD : Peti Surat 44, Batu 9, 43207 Cheras, Selangor. Tel: 603-8961 1623, 8961 1095, 8961 1096 Fax: 603-8961 1092
WEBSITE : www.lye.com.my



Registration No.: 1205



DYNAMIC TOWARDS VISION



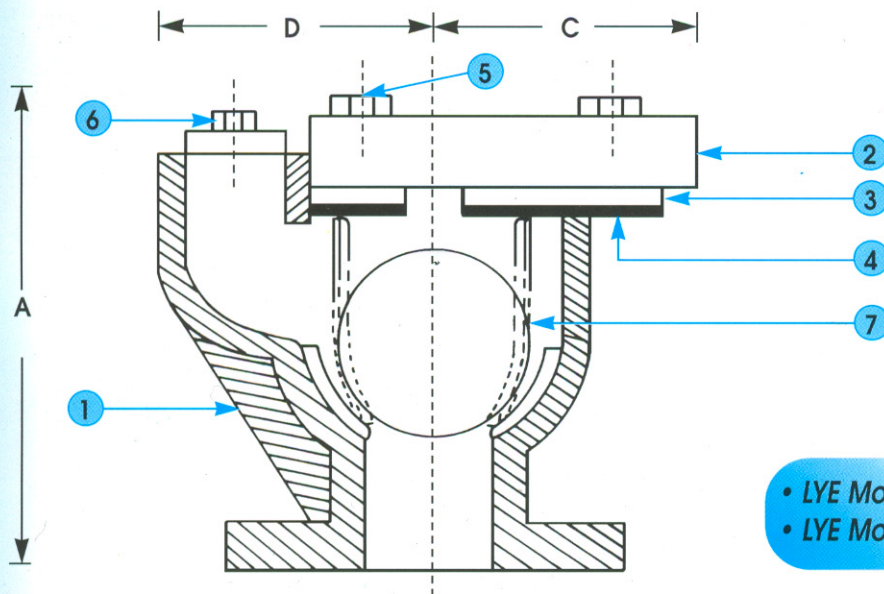
MAXIMUM DIMENSION				
SIZE	A	C	D	B*
mm	mm	mm	mm	mm
50	275	90	220	170
80	275	110	235	190
100	310	110	260	230
150	400	135	295	280
200	540	165	375	450

B* - Width of air valve

- LYE Model No.354 - Non-Isolating Type
- LYE Model No.355 - c/w Isolating Sluice Valve

DOUBLE ORIFICE KINETIC (ORIFICE BERKEMBAR KINETIK) (SMALL AND LARGE ORIFICE DOUBLE AIR VALVE)

NO	DESCRIPTION	MATERIAL	BS REF. NO.
1	BOLT	MILD STEEL	4190 (MS 740)
2	NUTS	MILD STEEL	4190 (MS 740)
3	LARGE ORIFICE COVER	DUCTILE IRON (450/10)	BS EN 1563
4	LARGE ORIFICE PLATE	DUCTILE IRON (450/10)	BS EN 1563
5	GASKET	EPDM RUBBER	BS EN 681
6	BODY	DUCTILE IRON (450/10)	BS EN 1563
7	LARGE ORIFICE FLOAT (BALL)	ABS	ISO 2580
8	BALL GUIDE	DUCTILE IRON	BS EN 1563
9	SMALL ORIFICE PLATE	DUCTILE IRON	BS EN 1563
10	GASKET	EPDM RUBBER	BS EN 681
11	AIR RELEASE NIPPLE	BRASS	BS 143/1256
12	SMALL ORIFICE FLOAT (BALL)	ABS	ISO 2580



MAXIMUM DIMENSION				
SIZE	A	C	D	B*
mm	mm	mm	mm	mm
50	275	165	165	215
80	275	165	165	245
100	305	185	185	270
150	400	265	265	305
200	530	325	325	400

B* - Width of air valve

- LYE Model No.254 - Non-Isolating Type
- LYE Model No.255 - c/w Isolating Sluice Valve

SINGLE LARGE ORIFICE - TYPY B (ORIFICE BESAR TUNGGAL)

NO	DESCRIPTION	MATERIAL	BS REF. NO.
1	BODY	DUCTILE IRON (450/10)	BS EN 1563
2	COVER	DUCTILE IRON (450/10)	BS EN 1563
3	PLATE	DUCTILE IRON (450/10)	BS EN 1563
4	GASKET	EPDM RUBBER	BS EN 681
5	BOLTS AND NUTS	MILD STEEL	4190 (MS 740)
6	PLUG	BRASS	143/1256
7	FLOAT (BALL)	ABS	ISO 2580