



**LYE DUCTILE IRON**

# T-POT STRAINER



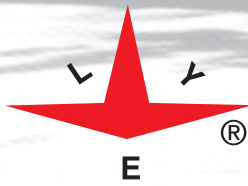
## INTRODUCTION

**LYE T-POT STRAINER** is a well-designed product that could effectively reduce the maintenance costs of water meter by preventing solid materials and debris that can damage the meter in the pipeline system.

## PRODUCT ADVANTAGES

- It increases the life span of water meters.
- It reduces the maintenance cost of water meters.
- It improves the reticulation for bulk meter system.





# LYE DUCTILE IRON (D.I.) T-POT STRAINER

## SPECIAL FEATURES

- The design allows installation of air release valve, thus stop water meter from over - register due to air bubbles.
- Any dirt or debris accumulated can be flushed out through the drain plug.
- Special designed Perforated Stainless Steel Screen for minimum cleaning.

## SPECIFICATIONS

### MATERIALS :

Parts	Material	Standard Ref.	Grade
Body & Cover	Ductile Iron	BS EN 1563	EN-GJS-500-7
Screen	Stainless Steel	BS EN 10088-3	304S31
Gasket	Rubber	MS 672, BS EN 681	EPDM
Bolt	Stainless Steel	BS EN 10088-3	304S31
	Mild Steel (Hot dip Galvanized)	BS4190	-
Drain Plug	Stainless Steel	BS EN 10088-3	304S31

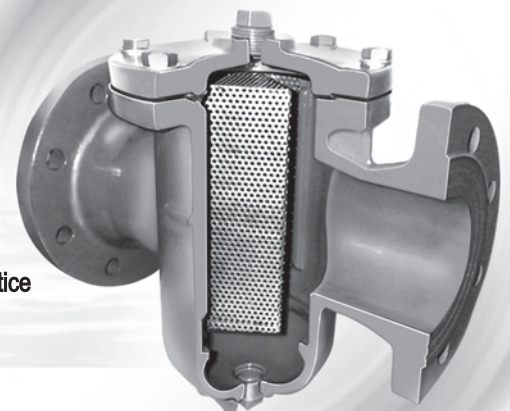
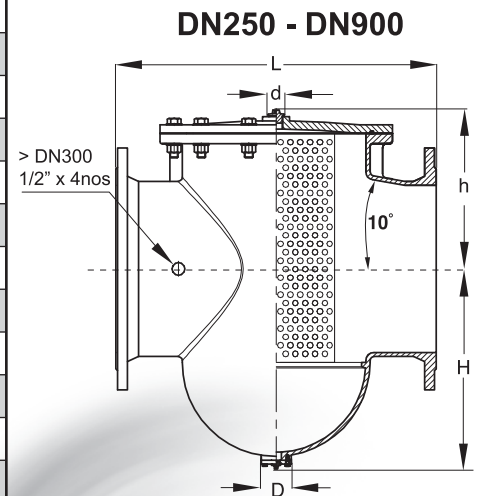
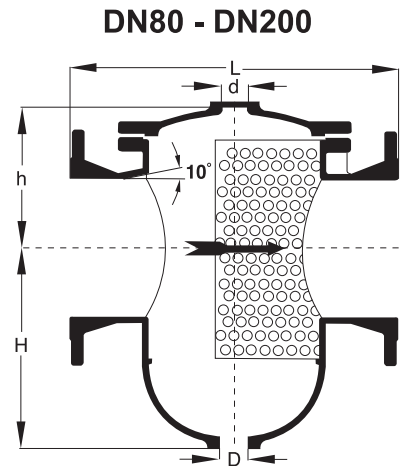
### DIMENSIONS :

Nominal Size	Dimensions (mm)					Weight (kg)
	L	H	h	D	d	
DN 80	300	150	125	25	25	22
DN 100	340	170	138	25	25	27
DN 150	420	220	170	25	25	44
DN 200	480	290	200	40	40	68
DN 250	586	332	245	32	25	116
DN 300	658	375	275	32	25	193
DN 350	698	430	350	32	25	305
DN 400	768	480	380	32	25	368
DN 450	838	525	410	32	25	490
DN 500	908	565	480	32	25	715
DN 600	1070	700	550	32	25	934
DN 700	1240	750	590	32	25	1275
DN 800	1380	900	660	32	25	1600
DN 900	1520	960	760	32	25	1976

### SCREEN :

Nominal Size	Dimensions (mm)	
DN 80 - DN 200	Diameter = 3.0 mm.	Pitch = 5.0 mm.
	Thickness = 1.0 mm.	
DN 250 - DN 900	Diameter = 5.0 mm.	Pitch = 8.0 mm.
	Thickness = 1.0 mm.	

Please Note: Technical data provided is indicative only and may be subject to change without notice



### LYE MANUFACTURING SDN. BHD. (32836-H)

Manufacturer of Valves, Hydrants, Joints, Fittings & Manhole Covers.

Lot 1844, Jalan KPB 8, Kampung Baru Balakong, 43300 Kajang, Selangor Darul Ehsan, Malaysia.

FACTORY: Tel : 603 - 8961 1623, Fax : 603 - 8961 1092

SALES: Tel : 603 - 6140 3131 (Hunting Line) Fax : 603 - 6140 5858

WEBSITE: www.lye.com.my

EMAIL: enquiry@lye.com.my

