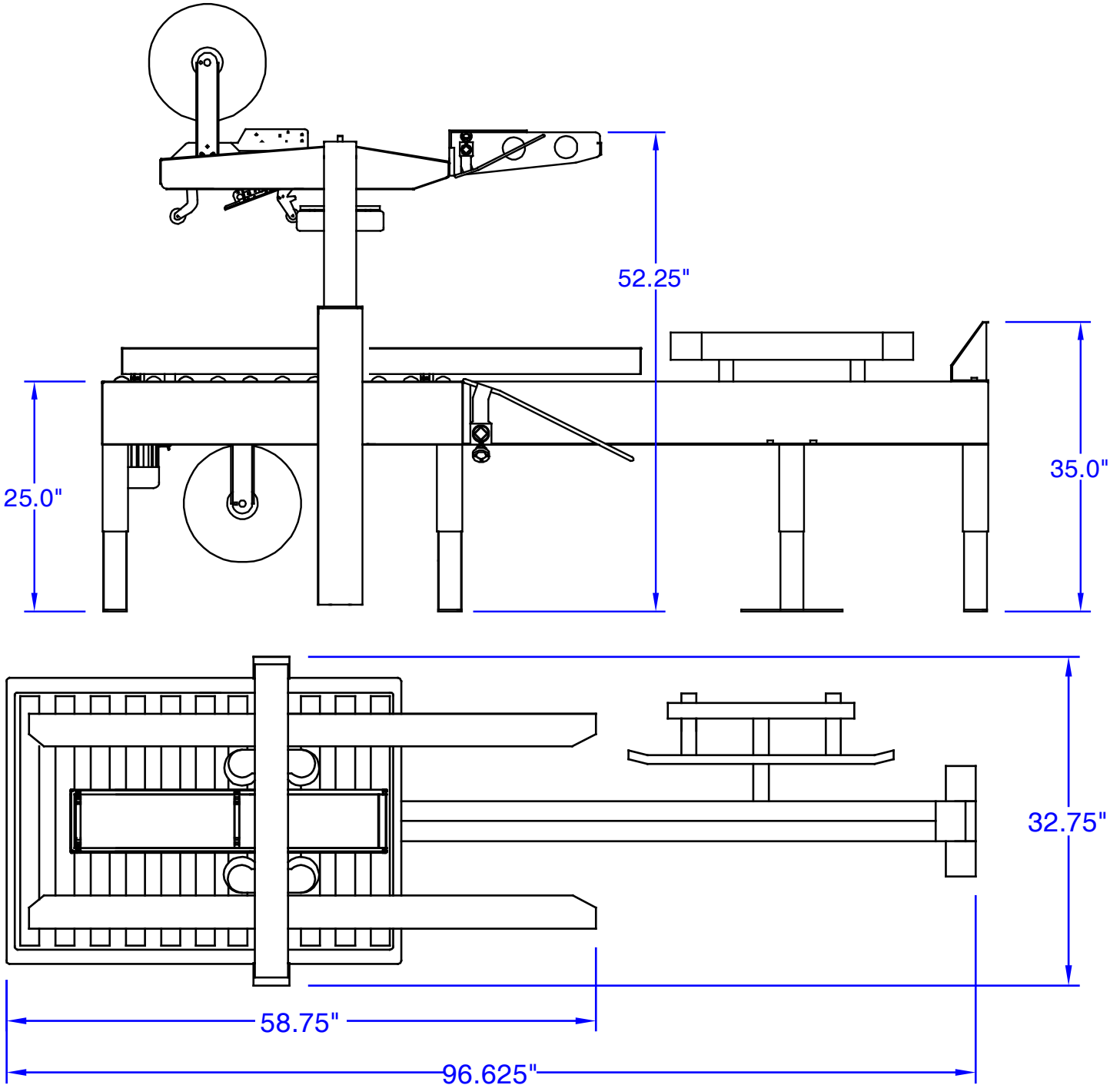


World Leader in Sophisticated Packaging Systems

MSDBF22 footprint



**Note: Dimensions are all subject to change without prior notification. Call BestPack® for pricing.**

**Corporate Office:** 10676 Fulton Court, Rancho Cucamonga, CA 91730-4848

**Website:** <http://www.bestpack.com> • **Email:** [sales@bestpack.com](mailto:sales@bestpack.com) • **Phone:** 888-588-2378 • 909-987-4258 • **Fax:** 909-987-5189