



**ASL Technologies, LLC**

**FPRS-S200**

**Operations**

**and Maintenance**

**Manual**

This Manual for Unit Serial #'s 006 & up.



**ASL Technologies, LLC**  
10525 W US Hwy 30, Bldg 3D Wanatah, In. 46390  
Phone 219.733.2777 or Toll Free 888-333.2990  
Facsimile 219.733.2779 or e-mail [custsvc@aslfilter.com](mailto:custsvc@aslfilter.com) [www.aslfilter.com](http://www.aslfilter.com)

## **ASL Technologies, LLC Quality Policy**

ASL Technologies, LLC was founded with the commitment to be the industry leader in product quality, customer service and customer satisfaction in the market places we serve. Our patented product line of Electrostatic Fluid Filtration equipment is designed, built, tested and delivered with these goals in mind.

Congratulations on the purchase of your new **Finite Particle Removal System™ (FPRS)**.

ASL Technologies FPRS S-Series Units provide state of the art fluid filtration that allows superior filtration capability at a minimum investment. Affordable electronics and compact design are combined to provide economic filtration without compromising the effectiveness of Electrostatics. Though compact in size, the S-Series can provide up to a year of replacement free filtration. It also provides effective cost recovery of valuable fluids and extension of component life in hydraulic, dielectric, and solvent systems.

ASL encourages you to read through this manual completely. Information has been provided in order that our customers can experience the maximum benefits resulting from extreme fluid cleanliness. Every situation cannot be anticipated and ASL is always available to help in any way possible. Critical information has been supplied to assist you with the theory, operation, and maintenance of the S-Series Finite Particle Removal System.™ Questions or concerns should be addressed to ASL.





## Table of Contents

This Manual covers Serial #'s 006 and subsequent

<b>Subject</b>	<b>Page</b>
Quick Startup Guide	3
Important Safety Information	5
Introduction/System Overview	7
Important Guidelines	9
System Safety Features, Indicators, Switches and Lights	9
Front Panel Controls/Indicators - Photo	12
Internal Components - Photo	13
Drip Tray and Float Switch - Photo	14
System Preparation	15
Installation Considerations	16
Fluid Maintenance	20
Cell Backflush Operation	21
Cell Removal/Installation	22
Water Absorber Replacement	23
Electrostatic Cell Rebuild Program	24
Warranty Information	25
Product Specifications	26
Parts Ordering Information	27
Spare/Replacement Parts List	28
Wiring Diagram	29
Cover Electrical Component Locations	30
Maintenance and Troubleshooting	31
Removal and Replacement of Components	37
Pump and Pressure Switch Adjustments	40
Scheduled Maintenance Tasks	41
Fluid Flow Diagram	43
Electric Motor Service Data	44
Hydraulic Pump Vendor Service Manual	45



---

## **Quick Startup Guide FPRS-200 Quick Start Guide** **(Serial # 006 & later)**

1. Remove packing material and strapping from the unit.
2. There is a forklift pocket on the bottom of the unit. The open ends of the pocket are on the sides of the unit. Adjust your forks for a 23" width, outside to outside. The unit weighs 625 pounds empty, and approximately 733 pounds when full of fluid.
3. Open Top cover by grasping rolled lip and lifting up, like a car hood. The white foam pad between the lid and front cover was inserted to protect the top cover safety switch during transit, and can be discarded. The control panel/lid is held closed with magnets, and opens like a car hood. A force of about 35 pounds is required to disengage the lid from the magnets. Lift the lid and swing the top cover all the way up until the slide lock goes over center, and then slowly lower the lid until locked in the open position. The lift strut locking mechanism is strong enough to hold the lid open for quick checks on the inside of the unit, however, for additional safety there is a 5/16" "T" Handle PIP pin on a lanyard attached to the lower strut mounting (above the pump) which can be inserted through the lift strut locking hole, just above the lock mechanism. It is highly recommended the PIP pin be inserted through the lift strut when performing maintenance. To close the top cover, raise the cover slightly with one hand, and remove the PIP pin. With both hands, raise the lid so that the locking mechanism disengages, and slowly lower the lid to its fully closed position.
4. With the lid locked in the open position, the front cover (also held by magnets) can be removed by pulling outward on the top of the cover to disengage the magnets, and then lifting the cover clear of the unit. Note that a system schematic is laminated and bonded to the inside of the front cover.
5. Note that the system has 4 full swivel casters, all with brakes, which were locked when the unit was packaged. If you ordered extra Water Absorber elements, they will be packed in a box inside the unit. Additionally, there is a back flush hose and fitting inside the unit for Electrostatic Cell servicing, as well as an Operation and Service manual. Extra copies of this document, as well as the Service Manual, can be downloaded in PDF format on the ASL website, [www.aslfilter.com](http://www.aslfilter.com)
6. Check for any loose hoses, electrical connections, etc. that may have occurred during shipping. (A laminated wiring diagram is pasted on the inside of the front cover) Make sure the float switch is correctly positioned in the bracket/tray. The hinged float should be hanging down toward the bottom of the tray, such that a build-up of fluid will raise the float and "close" the switch, shutting the unit down. The float switch stays in the tray, and is disconnected by disconnecting the 2-pin Molex connector on the side wall, near the bottom of the Water Absorber canister. Grasping the two drip tray handles, slowly slide the tray out for servicing. When sliding the tray back in, make sure it goes all the way in, past the front edge of the false bottom. Verify that the Water Absorber



drain valve (3/8" gray hose) on the bottom of the canister is CLOSED. Note that the lid contains a safety switch which interfaces with the front cover. This switch must be closed to start the unit.

7. Connect your fluid lines to the unit as follows: The ASL unit's INLET to a low point on your reservoir. (Be sure to drain any accumulated water) Connect the ASL unit's OUTLET to the top of your reservoir. (A stand pipe may be used to return fluid below the reservoir fluid level) The ASL unit is provided with 3/4" NPT INLET and OUTLET bulkhead fittings. Make sure the ASL unit's INLET line is flooded. The ASL unit cannot be 'force fed.' With both INLET and OUTLET lines connected, plug the unit's power cord into a 120 VAC 60 Hz, single phase grounded 10 Amp. Outlet. Note that this system and fluid reservoir must both have the same earth ground. Note that the front cover must be in position, and control panel/lid closed.
8. Turn on the 'Power' switch. All 5 "Low Voltage" lights will illuminate briefly and the fluid delivery system (pump/motor) will immediately start and begin drawing fluid from your reservoir. The unit was tested with fluid at the factory, but the Electrostatic Cells and water absorber element are dry when shipped, so it will take a few minutes before flow from the unit's OUTLET port will be observed.
9. On the cover of the water absorber canister, there is a sample port/bleeder push button valve. Unscrew the cap, and press the sample valve button to bleed off trapped air as the absorber canister fills with fluid. (Of course, performing this will require that the lid safety switch be temporarily disabled)It may take a few minutes to fill, before any fluid output is seen. If output flow and/or pressure rise on the gauges is not observed within 4-5 minutes, turn power "OFF" and make sure the inlet hose is primed.
10. Once entrapped air is bled from the water absorber canister, the Electrostatic Cells will fill, and fluid flow will be observed at the OUTLET port bulkhead. Under 'normal' operation with warm (100-120° F) fluid, pressure on the Cells and water absorber will be in the 10 to 20 psi range.
11. The FPRS-200 system has a flow rate of 3 GPM, and the system holds approximately 13 gallons of fluid.

## IMPORTANT SAFETY INFORMATION

*READ CAREFULLY BEFORE ATTEMPTING TO INSTALL, OPERATE OR MAINTAIN THE FINITE PARTICLE REMOVAL SYSTEM™. PROTECT YOURSELF AND OTHERS BY OBSERVING ALL SAFETY INFORMATION. FAILURE TO COMPLY WITH INSTRUCTIONS COULD RESULT IN PERSONAL INJURY AND/OR PROPERTY DAMAGE. RETAIN THESE INSTRUCTIONS FOR FUTURE REFERENCE.*

### SAFETY ALERT SYMBOL AND SIGNAL WORDS

The following safety alert symbol and signal words are used throughout this manual to call attention to and identify different levels of hazard and special instructions.



This safety alert symbol is used with signal words **WARNING** and **CAUTION** to call attention to safety statements.



**WARNING!** statements identify procedures or practices, which must be followed to avoid serious personal injury or loss of life.



**CAUTION!** statements identify procedures or practices, which must be followed to avoid minor personal injury or damage to this equipment.

### ELECTRICAL SAFETY



**WARNING! ELECTRIC SHOCK can kill.** Your FPRS uses a high **Direct Current** voltage of **15,000 volts**. Do not touch live electrical parts. Always disconnect power source before working on the system.

Avoid accidental starting. Make sure unit is turned “OFF” and is unplugged or disconnected from its power source before beginning any maintenance tasks.

This product and the fluid reservoir it services, must both be earth-grounded to operate safely and properly.

Protect the power cable from coming in contact with sharp objects. Replace or repair damaged or worn cords immediately.

Safety devices such as interlocks, fuses and circuit breakers should not be disconnected or shunted out.



**CAUTION!** The power source must be fused for 10 amps.




1. The motor is designed for operation on the voltage and frequency specified on the motor nameplate.
2. Normal loads will be handled safely on voltages not more than 10% above or below the specified voltage.
3. Running unit on voltages not within range may cause overheating and motor burnout.
4. Heavy loads require the voltage at motor terminals be not less than the voltage specified.


Follow all local electrical and safety codes, as well as the National Electrical Code (NEC) and the Occupational Safety and Health Act (OSHA).

Install and maintain equipment according to USA Standard C1, National Electric Code.

Do not install FPRS unit's outdoors unless at least partially protected from the elements. Do not use in an excessively damp or wet location.

### **FLUID SAFETY**

 **WARNING!** Do not pump flammable or explosive fluids such as gasoline. Failure to follow this warning can result in personal injury and/or property damage and will void the product warranty.

 **CAUTION!** Secure the discharge line before starting the system. An unsecured discharge line may whip, causing personal injury and/or property damage.

Explosive or flammable (flash point below 200° F) fluids must never be filtered with this product. **Electrostatic arcing is a potential ignition source.** Please refer to Fluid Specification prior to filtering fluid.

~ Do not exceed **45 psi** on any components in the system.

~ Protect fluid lines from damage or puncture.

~ Maximum fluid temperature should not exceed 165°F. The Electrostatic Cell body can distort at higher temperatures, draining the reservoir and creating a floor hazard and severely damaging the hydraulic system.



## INTRODUCTION/SYSTEM OVERVIEW

The Finite Particle Removal System,<sup>TM</sup> Patent Numbers. 5,149,422, 5,242,587 and 5,891,315, (other Patents pending) uses the most advanced technology available to clean and reuse oil (i.e., transformer, hydraulic, turbine, lubricating) and solvents.

There are basically five (5) major factors contributing to the contamination of industrial fluids:

- Air
- Heat
- Water
- Particulate matter
- Oxidation of by products

Contamination of industrial fluids is a great concern because their condition is directly related to the condition of the overall system they function in. Controlling these five factors is foundational to maintaining a trouble-free system.

The following preventative measures do much to extend the life of the fluid and the hydraulic system. One must minimize the external ingress of air and particulate in the fluid. Breather bags and air intake filters have been used effectively for this purpose.

Maintaining the fluid temperatures within the specified limits can be achieved through proper care and maintenance of the cooling system. We have equipped your filtration system with continuous water removal capability to prevent build up due to condensation to keep the fluid dry.

Finally, the fluid must be kept as clean as possible, not only by removing particulate such as:

- Dirt
- Fibers
- Wear metals

Also, the **Submicronic Contaminants** such as:

- Silts
- Tars
- Varnishes

Tars and Varnishes are the byproducts of oxidation and typically occur and are encouraged because of the presence of air, heat and water. Oxidation is usually observed in lubricants and hydraulic oils and results in the formation and deposition of tars and varnishes on the components of the hydraulic system. Removing these contaminants continuously from the system will prevent the majority of problems that plague maintenance departments and cause expensive downtime. Keeping the fluid as clean as possible is what this product will accomplish for you and your company.





The FPRS is designed to connect directly to your machine's reservoir. The FPRS draws the fluid into its system using a pump that sends the fluid through a water absorber and Electrostatic Cell(s) to accomplish the cleaning process. The fluid is then discharged through an output hose and back into your reservoir.

The FPRS utilizes a combination of electrostatic and magnetic fields to remove submicronic particles from the host reservoirs fluid. This is accomplished by electrically influencing the particles in the oil to opposite polarities. These + and - influenced particles are attracted to one another and are retained by polyolefin foam used within ASL's patented Electrostatic Cell. Because the foam is polyofin, water in concentrations of 500 ppm or less will not disrupt normal operations, although microamp readings of the fluid will be slightly higher due to the conductivity of water.

The cell operates with alternating electrostatic and magnetic fields. If, for example, a particle is negative, it will seek the positive side of a magnetic plate. When the particles begin to collect together, one on top of the other, alternating as positive and negative particles, the polyofin foam pads inside the cell becomes a home for the particles and holds them in place. This collection of particles is a phenomenon known as "*strawing*."

Your FPRS comes equipped with a water absorption unit that can remove free and emulsified water down to 50 PPM. This feature covers a wide range of water problems.

Each fluid to be cleaned has its own characteristics, which may require modifications in magnetic field density and the dedicated collection media used within the electrostatic cell. The cell provided in your unit has been built to meet your specific requirements. Therefore, when discussing your unit with us or when ordering cells, be sure to state the correct model number of the cell. The model number is shown on a red tag on top of the cell, i.e. R61CS-115, R62CS-115, etc. Note that Phosphate ester fluid compatible cells have a "B" in the parts number, i.e. RB64CS-115, etc. Mineral oil cells have a Gray tube, and Phosphate Ester Cells have a Black tube.

The long-term benefits of continuous filtration with this product, as the contaminants are purged from your system, will become evident through reduced downtime and maintenance expenditures, extended machine life and greatly improved fluid life. Coupled with our water absorber, this product will protect the lifeblood of your hydraulic system from three of the five major factors that contribute to fluid degradation.

- Water
- Particulate Matter
- Oxidation by products



---

## IMPORTANT GUIDELINES

*Oil temperature should not exceed 160°F for electrostatic cells.  
(175°F for black tube Phosphate Ester Cells)*

*Ambient air temperature should not exceed 160°F.*

*Viscosity of the oil to be cleaned cannot exceed 1800 SUS @ 100°F.*

*The minimum flash point of the oil should not be below 200°F*

*FPRS S-Series units will automatically restart if input power is momentarily lost.*

Concentrations of **water should not exceed 500 ppm**. If in excess, a water absorber should be used to reduce the content to an acceptable level (less than 500 ppm) before the electrostatic cell is employed.

It is recommended the FPRS input hose be connected to or draw from the lowest point of the reservoir. Therefore, when hooking up to a reservoir for the first time or after a period of non-filtration, always drain free water from the bottom of the reservoir before using the FPRS.

The output hose should be returned to the highest point at the opposite end of the reservoir to ensure maximum distance between the input and output hoses.

When installing an FPRS S-Series unit on an elevated reservoir where the lowest fluid level of the reservoir is higher than the FPRS, it is recommended that shut off valves be installed in the line running from the reservoir to the FPRS pump (inlet). As well as the line running from the FPRS back to the reservoir (outlet).

When installing an FPRS S-Series unit above the highest level of fluid of the reservoirs it is required that the pump be primed. Once primed, the cabinet of the S-Series can be elevated as high as 24" above the highest level of the reservoir.

### SYSTEM SAFETY FEATURES, INDICATORS, SWITCHES AND LIGHTS

Your FPRS S-Series unit comes equipped with several enhanced safety features and light/gauge indications that are designed to provide operator and environmental safety, ease of operation and troubleshooting. The following paragraphs contain a brief description of these features. Refer to the photos on pages 12, 13 and 14, and the wiring diagram on page 29. Note that the wiring diagram is also laminated and glued to the inside of the system front cover. The Maintenance section, beginning on page 31, provides further details on operation and troubleshooting.

#### 1. POWER SWITCH

This switch controls power application to the system, and is in the power line after the 10 amp circuit breaker which is located next to the power switch. When the system is plugged in to a 120 VAC power source, power will be present on one side of this switch. Note that if incoming 120 VAC power is interrupted while the "POWER" switch in the "ON" position, the system will automatically restart as soon as incoming AC power is restored.

- 2. SYSTEM CIRCUIT BREAKER**  
Located between the ON/OFF switch and the Green Power lamp, the system circuit breaker is rated at 10 Amps.
- 3. GREEN “POWER” LIGHT**  
With the cover closed, and the power switch is ‘on’, power flows to the green “POWER” lamp, which illuminates to indicate power is applied to the system. The green POWER lamp is a neon tube lamp that is designed to glow for many hundreds of hours. These lights are “non-relampable” and must be replaced when defective. See the “MAINTENANCE” section for instructions.
- 4. RED “LOW VOLTAGE” LIGHT(s)**  
When the system is first turned on, or power is restored following a power interrupt condition, the 5 red “LOW VOLTAGE” lamps will illuminate briefly, and then go off. The “LOW VOLTAGE” lamps do not indicate trouble with the incoming 120 VAC power, but relate to the high voltage DC power supply, which supplies 15,000 VDC to the Electrostatic Cells. The signal to illuminate this light comes from a relay internal to the high voltage power supply (yellow wire) which opens at approximately 700 micro amps. If this lamp illuminates, it indicates that the high voltage DC power supply output voltage is low, and could be caused by a variety of reasons. When any of the “LOW VOLTAGE” lamps are illuminated, power to the pump/motor is interrupted. Refer to the “Maintenance” section.
- 5. AMBER “BACKFLUSH” LIGHT**  
This lamp comes on when the Electrostatic Cells need to be back-flushed with shop air. The signal to illuminate this light comes from a relay internal to the high voltage power supply’s (orange wire) which closes at approximately 500 micro amps. Note that all five power supplies orange wires are tied to the backflush light. The theory being that if one Cell needs backflushing, they all do. If this lamp illuminates, back-flush the Electrostatic Cells in accordance with the instructions on page 21 of this manual.
- 6. RED “FLOAT SWITCH” LIGHT**  
Illumination of this lamp indicates that there is either a fluid leak inside the FPRS, or the float switch has been upset during shipping, or recent movement of the unit. Note that this is a “latching” fault, and will not reset itself, even if the float switch re-opens. Power must be turned “OFF” and then back “ON” after correcting the fault. The float switch that activates this fault is located in the drip tray in the right front corner on the bottom of the FPRS cabinet. Note also that even though the pump stops, the 15,000 VDC is still applied to the terminals of the Electrostatic Cells while power is on.
- 7. RED “OVER PRESSURE” LIGHT**  
Illumination of this lamp indicates an overpressure condition has occurred. Note that this is a “latching” fault and will not reset itself, even if the overpressure condition clears. Power must be turned “OFF” and then back “ON” after correcting the fault. A pressure switch on the water absorber canister actuates the overpressure light. As in #6 above, 15,000VDC is still applied to the Electrostatic Cell while this fault is latched.
- 8. “MICROAMP” METER**  
The Microamp meter indicates the amount of high voltage DC power being consumed by the #1 Electrostatic Cell. Under normal conditions, the Microamp meter will indicate between zero and 400, and is a way to determine the general condition of the Cell. Note that high concentrations of water, or excessive accumulations of ferrous particulate can cause high microamp readings. At 500 microamps, the amber “BACK-FLUSH” lamp will illuminate, and at 700 microamps, the red



“LOW VOLTAGE” lamp will illuminate, the system will shut down, with the lamp remaining illuminated.

**9. “ELAPSED TIME” INDICATOR**

The elapsed time indicator shows, in hours and hundredths of hours, how long the system has been running. Note that power is supplied to the hour meter from the pump/motor start signal, and will only run when the pump is receiving power. The hour meter reads to 99,999.99 hours (11 years)

**10. ABSORBER PRESSURE GAUGE**

The Absorber pressure gauge shows system pressure at the entrance to the Water Absorber Canister. Under normal operating conditions (warm fluid, fresh water absorber element, fresh Electrostatic Cells, no output hose restrictions, etc.) the gauge will read approximately 10 to 25 psi. A higher initial reading may be caused by cold or thick fluid. Over time, it is normal for the gauge to indicate progressively higher pressure, due to accumulation of water in the water absorber element and/or excessive particulate accumulation in the Electrostatic Cell. At 35 to 38 psi. it's time to find the cause of the excessive pressure, which can only be caused by a clogged water absorber element or Electrostatic Cell, or some restriction in the lines downstream of the pump.

**11. CELL PRESSURE GAUGE**

The Cell Pressure gauge, shows pressure at the entrance to the cell inlet manifold. Under normal operating conditions, the cell pressure gauge will read 5 to 7 psi. less than the Water absorber pressure gauge.

**12. REMOTE ALARM CONNECTOR**

The Remote Alarm connector, located on the right side of the cabinet beneath the power cord entrance, is a two wire .250 male spade connector that can be interfaced to a remote alarm or PLC. The signal runs through two dry sets of contacts in relays CR-1 and CR-8. When the system is operating normally, these contacts are “closed.” In the event of any internal failure, these contacts “open.” If these connections are used, do not exceed 24 VDC.

**13. OIL SAMPLE PORT**

The oil sample port is located on the lid of the Water Absorber canister. This test port makes a convenient, leak and contamination free port to draw oil samples. The FPRS-S200 system uses a KP series thumb push sample valve, requiring no special tools or fittings to use. To sample, unscrew the cap on the sample valve, and push the thumb button in for a few seconds to flush the sample port. Using a clean sample bottle, remove the lid and invert it to prevent ambient dust or dirt from contaminating the sample. Fill the bottle to within ½” of the top. Immediately install the cap securely. Note that this port is before any FPRS filtration. Note also, that the FPRS must be running to draw the sample. This valve is also used to bleed off trapped air in the canister on initial start-up, or when the water absorber element has been replaced.

**14. WATER ABSORBER DRAIN BALL VALVE**

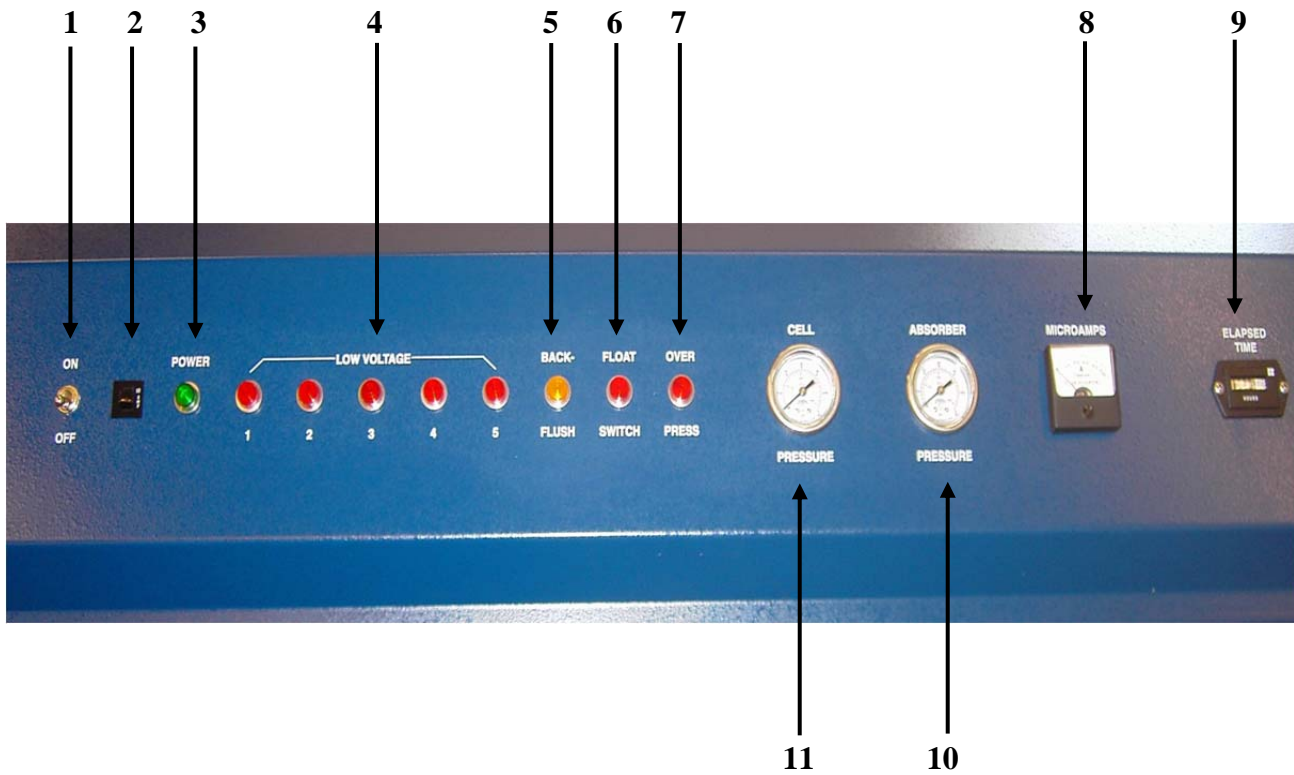
This (Normally Closed) drain valve, located at the bottom of the water absorber canister, is used to drain the canister when replacing the water absorber element. An 18” long gray drain hose is attached to the drain valve, and the hose end is folded and ty-wrapped when you receive your FPRS. The hose is stowed behind the absorber canister.

**15. COVER SAFETY SWITCH**

Once the power switch is placed in the “ON” position, power flows to one side of the cover safety switch. With the cover in the open position, power is interrupted, preventing operation of the FPRS.

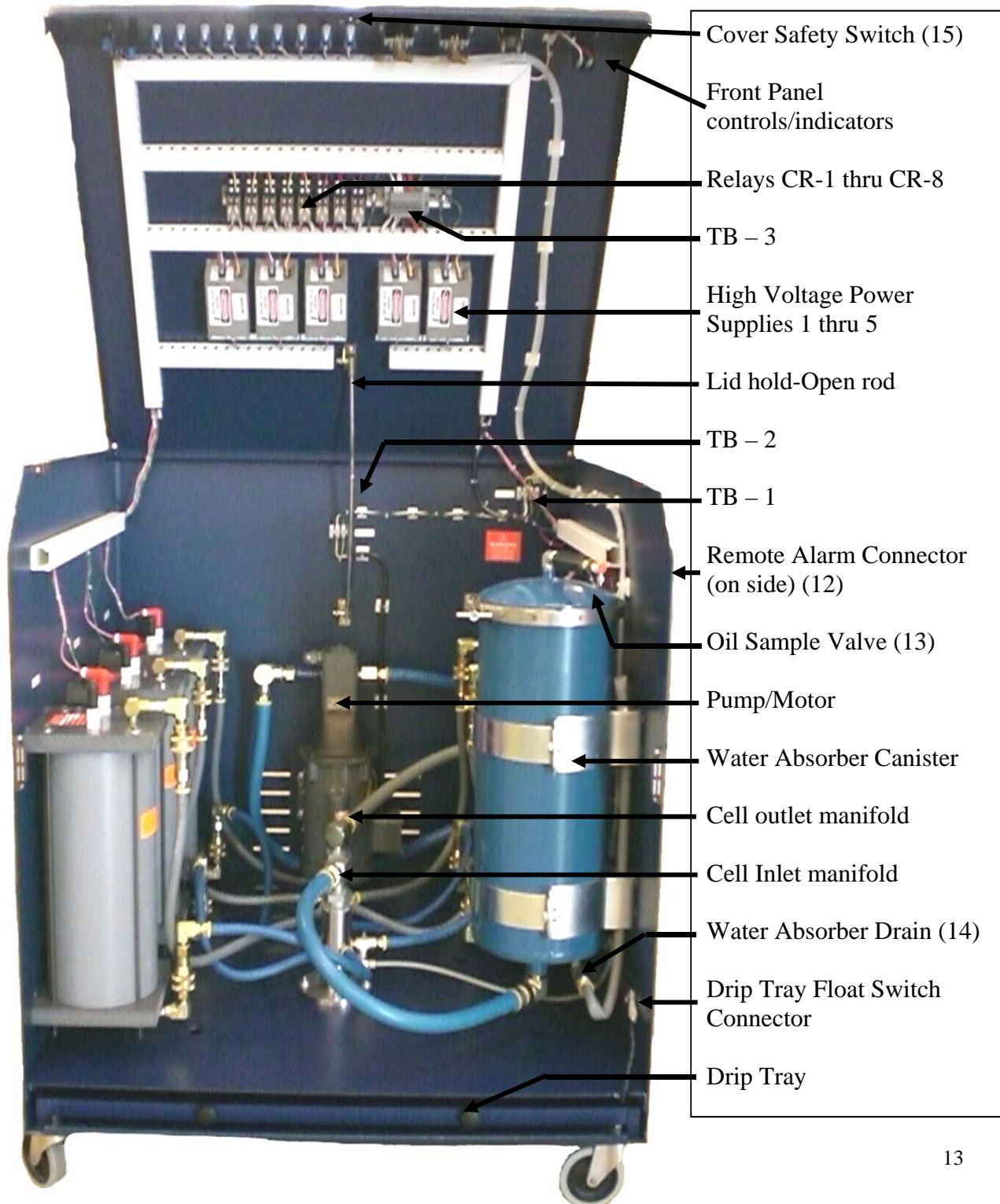
## FPRS-S200 Front Panel Controls and Indicators

(See pages 9 – 11 for detailed function)



## FPRS-S200 Internal Component Locations

Refer to descriptions on pages 9 – 11. Numbers in ( ) refer to descriptions.



## Drip Tray and Float Switch



**Disconnect 2  
pin Molex**



**Grasp tray  
by handles.  
Carefully  
slide out for  
service.  
Switch stays  
in tray.**



## SYSTEM PREPARATION

***NOTE: IT IS EXTREMELY IMPORTANT THAT THE FOLLOWING STEPS BE DONE IN ORDER TO ENSURE PROPER SET-UP AND OPTIMUM RESULTS FROM THE FPRS!***



***CAUTION!*** Before making power connections to this ASL unit, check the polarity of your power source. ***Also verify that earth ground is present.***

Open the hinged top cover, (two magnets hold the cover closed) and swing it back. Remove the front cover by pulling it toward you (also held in place with magnets) and lifting it out of the way, to expose the internal mechanisms.

Check the wire and hose connections to and from the FPRS. It is important that these connections are tight and have not shaken loose during shipment. Tighten the connections if they are loose. ***Do not over-tighten.***

Check the quick disconnects on the cell(s) to ensure that they are locked in place. (The outer ring of the quick disconnects slide back to lock and unlock the disconnect.)

***The S-Series CABINET models will not operate with the front cover removed.***

Take a sample of the fluid to be cleaned.

- ◆ Use a clean bottle to take the sample.
- ◆ The sample should be taken from the lowest point of the reservoir, preferably the drain cock or valve, because this is where the FPRS input hose will draw from. Free water should be drained from the reservoir before the FPRS is hooked up.
- ◆ Test the sample to ensure that the fluid does not surpass the guidelines of the system as set forth in this manual.
- ◆ For in-service oil analysis, a sample port has been provided, and is located on the lid of the water absorber canister. (See page 11 for sample port operations.)





---

## INSTALLATION CONSIDERATIONS

### APPLICATION COMPATIBILITY

While this product can provide effective filtration over a wide range of applications, there are some applications that are an exception.

- Type of fluid to be filtered.
- Contamination source or sources.
- The rate of contamination.

The following guidelines should be considered before installing this product.

1. Fluid Specification—this product is suitable for filtering nonconductive and semi-conductive fluids with viscosity rating less than 1800 SUS @ 100° F. ***Water based fluids cannot be filtered with this product.***

Typically compatible fluids include:

- Petroleum-based lubricants
  - Solvents
  - Synthetic lubricants
  - Dielectric fluids
  - Phosphate Ester, fireproof fluids (Requires different Electrostatic Cell, hoses, seals, gaskets, etc.) Phosphate Ester Cells are BLACK with White ends.
2. Contamination Type—non-discrete type contamination cannot be filtered with electrostatics. This includes contamination from other fluids or chemical property altering contaminants. Systems with chronic water ingression cannot be filtered effectively unless the source of water can be eliminated or greatly reduced to less than 500 ppm.
  3. Contamination Rate—systems that produce excessive contamination may quickly overwhelm this product, especially if the contaminant is conductive (i.e. EDM, grinding and polishing systems, etc..)



The FPRS is now ready to be charged (filled) for operation and tested to ensure that no connections have loosened during shipment. The FPRS should be charged with the same fluid it has been designated to clean.

## **INSTALLATION**

### **APPROPRIATE LOCATION**

Avoid locations that expose this product to excessive moisture and explosive environments. This product generates an electrostatic field that may disturb or damage sensitive electronic equipment. Also, remember that access to this product is required periodically to replace the electrostatic cell(s) and Water Absorber element. Finally, avoid installing in high traffic areas where this product may be easily damaged by vehicles, forklifts, etc.

### **SYSTEM CONSIDERATIONS**

#### **1. Main Power Supply Source**

- ◆ 120 volts AC, 60 Hz, single phase.
- ◆ 10 amps Circuit Breaker.
- ◆ 16 ga. Power cord provided.
- ◆ Earth Ground.
- ◆ Vertical Orientation.
- ◆ Ambient temperature less than 160°F.

#### **2. Fluid Delivery**

Pump/Motor –The self-contained pump and motor delivery system allows for continuous filtration, even during machine downtime. Installation is convenient and maintenance does not require shutting down the hydraulic system. A pump /motor assembly is provided which is designed to be compact, and is for continuous-duty, maintenance free and has been sized for the correct flow rate.

#### **3. Hydraulic Connections**

All the connections between the reservoir and the cabinet can be with hard-piping or hose connections. On the S200 unit, 3/4" NPT bulkhead fittings are provided for your convenience on the right (power cord) side.



#### **4. Mounting Surface**

The S-Series Cabinet Model has cooling vents on the back of the cabinet, behind the Motor. These slots must remain open and free of restrictions, which could interrupt the flow of cooling air to the motor. The system must be kept in a level position when operating.

#### **5. Remote Alarm**

If a signal is desired to provide remote indication of an alarm condition, the S-Series Cabinet Models provide dual quick—connect interface with two internal dry relay contacts to interface with a signal not exceeding 24 volts. The relays are closed during normal system operation. During an alarm condition, such as overload, the relay will open. A second access hole is provided if hardwiring is required by your electrical codes. These connections are located on the right side of the cabinet, just below the power cord.

#### **6. Water Absorption**

Equipping the filtration system with water absorption capabilities maintains constant fluid dryness and prevents moisture build-up from condensation in the reservoir. The S-Series units are equipped with a water absorber unit that is installed between the fluid delivery system (pump) and the cell(s). This filter will also trap contaminants 5 microns and larger, and should be replaced whenever water content increases, or pressure rises above 35 - 38 psi. Replacement elements are available from ASL.

## HOSE CONNECTIONS

It is recommended that connections to reservoirs be made with quick disconnects or hard plumbed to minimize ingress of contaminants when hooking up and operating the FPRS.

- ◆ Connect the input and output hoses to the FPRS.
- ◆ Connect the input hose to the fluid reservoir. If there is no place to secure the hose, simply place the hose in the fluid near the bottom of the tank.
- ◆ Place the output hose into the fluid reservoir at the top of the tank
- ◆ When installing an FPRS S-Series on an elevated reservoir where the lowest fluid level of the reservoir is higher than the FPRS, it is recommended that shut-off valves be installed in the line running from the reservoir to the FPRS pump (inlet). Also, the line running from the FPRS back to the reservoir (outlet).



**CAUTION! HANDLE THE HOSES SO THAT SPILLS CANNOT TAKE PLACE.**

## SYSTEM START-UP

- ◆ Connect the FPRS to a grounded **120VAC**-power source.
- ◆ **Both the FPRS and the hydraulic system reservoir must have earth ground.**
- ◆ Ensure that the shut-off valves on the input and output lines are open.
- ◆ Locate the drain valve on the bottom of the water absorber canister and verify it is in the closed position.
- ◆ Place the front cover in position and close the top cover.
- ◆ Turn the “POWER” switch on the front panel to the “ON” position. The green “POWER” lamp will illuminate and remain on. Note that the red “LOW VOLTAGE” lamps will flash on, and then remain off.
- ◆ The FPRS pump will start running, and draw fluid from the reservoir into the FPRS.
- ◆ Check for any external leaks.
- ◆ Turn the “POWER” switch “OFF.”
- ◆ Open the top cover and remove the front cover.
- ◆ Check to ensure there are no leaks internally.
- ◆ Locate the red tag on top of the Electrostatic Cell. Fill in the “**Date Installed**” in the space provided. This will assist you in determining when an annual cell exchange will be required.
- ◆ Replace the front cover and close the top cover.

You are now ready to begin normal operations.

Your FPRS system has been designed to operate continuously on a fluid reservoir with little operator attention. However, it is recommended to check the control panel daily to monitor system condition. (See page 41 for Scheduled maintenance Tasks.)

## **FLUID MAINTENANCE**

The following recommendations are made in the interest of maximizing the benefits available with the S-Series FPRS system.

1. Periodically monitor the condition of the machine fluid. The following is a list of recommended tests that should be performed:
  - ◆ **Viscosity**  
When compared to values for virgin oil, the viscosity gives an indication of excessive thinning or thickening resulting from oil breakdown.
  - ◆ **TAN**  
When compared to values from virgin oil, an increase on the TAN indicates oil serviceability with regard to oxidation or contamination with an acidic product.
  - ◆ **Particle Count**  
Monitors the oil cleanliness level to provide indication of filter efficiency and potential wear failures.
  - ◆ **Water**  
Indicates the presence of moisture of coolant in the oil. For detection of water content below 1000ppm, the Karl-Fischer method can be used.
  - ◆ **Spectrochemical Elemental Analysis**  
The presence of elements in solution, i.e. additives, wear metals and contamination elements.  
  
**FT-IR**—Estimation of oxidation levels.  
  
**PIXIE**—Analysis of contaminant residue on patches.
3. When the condition of the oil is in question, it is usually more economic with small reservoirs to simply replace the oil than it is to spend money on extensive testing. Tests should be used to analyze potential problems in the machinery, not necessarily to determine oil life in these cases.

## CELL BACKFLUSH OPERATION

Backflushing of the cell is unique to ASL's Finite Particle Removal System™. This operation allows the cell to be reused without being replaced under normal use. (*Under normal operation, Electrostatic Cell and water absorber should be changed annually*)

When the cell becomes filled with contaminants, (about 500 microamps) and/or the amber "BACK-FLUSH" lamp illuminates, the cell(s) need to be backflushed.



**WARNING!** Turn OFF the FPRS on the control panel and at the electrical source.

Disconnect the input and the output hoses from the cell and set aside.

Connect a backflush hose to the quick disconnect at the bottom of the cell.

Place the end of the bottom backflush hose into a suitable container.

Using a second backflush quick disconnect fitting, connect plant air supply (**REDUCE TO 10 PSI**) to the quick disconnect at the top of the cell. Allow 10 psi of air to flush the contaminants out of the cell and into the pail for disposal. Leave the air pressure on until contaminants are no longer dispensed out of the backflush hose. (about 10 minutes)



**CAUTION: BACKFLUSH HOSE WILL JUMP AROUND AS AIR REACHES IT!**

Remove the backflush hoses and replace the input and output hoses to the top and bottom of the cell at their original configuration, blue hose to the bottom of the cell disconnect and gray hose to top of cell. (The top of the cell connects directly to the outlet manifold)

Turn **ON** the electrical service to the FPRS™

Restart the system and check the amber "BACK-FLUSH" light to ensure that it has gone out. If it remains on, refer to the "**Maintenance**" section of this manual.

Observe that the microamp meter is now below 500 microamps.

---

Over time, backflushing may no longer be effective, and the Electrostatic Cell must be replaced.

## CELL REMOVAL/INSTALLATION

Under normal operating conditions, cells should be changed **annually**. When you replace your electrostatic cell, perform the following steps:



1. **WARNING!** Turn **OFF** the FPRS on the control panel and at the electrical source.

2. Open the top hinged cover, and remove the front cover.

3. Disconnect the high voltage wires as follows:



4. **WARNING!** Short across the positive and negative electrodes using a screwdriver with an insulated handle to dissipate static electricity.



5. **WARNING!** Each cell has a **positive (red)** lead and a **negative (green)** lead connected to it. **NEVER** touch both leads at the same time.

6. Disconnect the high voltage wire connections leading to the top of the cell; **using one hand**, grasp the boot connected to the green wire and pull up. Repeat with the boot connected to the red wire.

7. Remove the input and output hoses by releasing the quick disconnects.

8. Loosen 4 attaching screws from outside of the cabinet and lift the cell out of the cabinet.

9. Replace with a new or rebuilt cell. Ensure that the cell is inserted correctly with high voltage electrodes pointing upwards.

10. Attach quick disconnects with blue hose to the bottom of the cell and gray hose to the top of the cell.

11. Replace the high voltage wires to the cell. **Red is positive, Green is negative.** The label at the top of the cell notes the POS and NEG electrodes. Be sure to fill in the “**Date/Hours Installed**” on the cell tag.

12. Replace the front cover and close the hinged top cover.

13. Restart the FPRS and operate system for a few minutes. Ensure that fluid is being dispensed through the output hose.



14. **WARNING!** Once fluid is dispensed through the output hose, turn **OFF** the FPRS on the control panel and at the electrical source.

15. Open the top cover and remove the front cover and check for leaks.

Replace the front cover and close the top cover. The FPRS is now ready to resume operation.

## WATER ABSORBER ELEMENT REPLACEMENT



If the pressure gauge on the water absorber element is above its normal running pressure, it may need to be replaced. (>35 psi)

**WARNING!** Turn **OFF** the FPRS on the control panel and at the power source.

Open the top cover, and remove the front cover.



Locate the absorber drain hose. (It is folded over and tie-wrapped)

Cut the tie-wrap and place the hose in a pail. Open the drain valve on the bottom of the absorber canister.



Loosen and remove the V-band Clamp at the top of the canister and remove the lid.

Remove the element hold down bolt, and lift out the old element by the wire handle.

Unpack the new element and install into the canister.

Re-install the element hold down bolt, hand tight.



Clean the 'O' ring, and apply a thin coat of your oil. Replace the canister lid and clamp.

Close the drain valve on the bottom of the absorber canister, and stow the drain hose.

Replace front cover, and close top cover.

Activate the main power source, and then turn **ON** the power switch on the control panel.



After fluid is dispensed through the output hose, shut down the system and check for leaks.





## Electrostatic Cell Rebuild Program

The Electrostatic Cells in your FPRS™ (Finite Particle Removal System) are designed to provide many hours of superior filtration. Like anything else, it occasionally needs care and maintenance. It is strongly recommended that the Cell be replaced once each year to insure optimum cleaning performance. The re-build/exchange program has been organized to provide minimum downtime and maximum performance.

When you receive your replacement Electrostatic Cells, please note that the red tag affixed to the top of the cell contains part number information, as well as the date the cell was made. A blank area is left open for you to fill in the date the cell was installed in your system. This will help you determine when the cell should be exchanged.

When you are ready to replace your Electrostatic Cell, please follow these steps:

1. Look at the red tag on the top of the cell to locate your part number. (R61CS-115, for example)
2. Send your P.O. to ASL via Phone, Fax, mail, or e-mail ([custsvc@aslfilter.com](mailto:custsvc@aslfilter.com)) with the quantity and part number requested.
3. When you receive your cell, install it in your unit, and return the used cell to ASL in the shipping box. (Please backflush the return cell for 10 minutes at 10 psi to drain as much fluid as possible.)

You should order your re-built cells early so you won't be down, waiting for your new Cells to arrive. Please remember to **backflush returned cells** prior to sending them back to us. This will save you on shipping costs, (a re-built cell weighs 16 pounds, and most Returned cells weigh in at 28 pounds) as well as saving the environment, as we have to dispose of the used, contaminated oil and internal components.

Note that if the used cells are not returned to us within 30 days, you will be invoiced separately for a core charge for each cell not returned



**ASL Technologies, LLC**  
10525 W US Hwy 30, Bldg 3D Wanatah, In. 46390  
Phone 219.733.2777 or Toll Free 888-333.2990  
Facsimile 219.733.2779 or e-mail [custsvc@aslfilter.com](mailto:custsvc@aslfilter.com) [www.aslfilter.com](http://www.aslfilter.com)

---

## **WARRANTY INFORMATION**

ASL Technologies, LLC, (“ASL”) warrants this product to be free from defects in material and workmanship for a period of one (1) year, from date of shipment, excluding expendables, in accordance with the following terms and conditions.

This warranty extends only to the original purchaser (“owner”).

This warranty does not include damage to the product resulting from accident, misuse or abuse, improper installation or operation, lack of reasonable care, or unauthorized repair or alteration.

Should this unit fail during the warranty period, ASL will repair or replace it at our option. Replacement products supplied under this warranty may be new or rebuilt at our option. Labor charges will be without cost to the purchaser (owner) during the first ninety- (90) days of the warranty period, up to 500 hours of operation. Owner will be responsible for all labor charges after this period. Owner will pay for the expense of delivering the product to ASL for warranty work, and expense of returning it to the owner after repair or replacement. ASL will assume no field expense for service or parts unless authorized in advance.

**This warranty is the only warranty extended by ASL to suppliers and/or purchasers of this product. No other warranty, written or oral, is authorized. ASL disclaims all other warranties; express or implied that arises by operation of law, except that implied warranties of merchantability or fitness for a particular purpose are limited to the duration of the warranty period. ASL shall not be liable for any incidental, consequential or other damage that may have resulted from any alleged breach of warranty, including any cost or expense of providing substitute equipment or service during periods of malfunction or non-use.**

**Some states do not allow limitation on how long an implied warranty lasts or the exclusion limitation of incidental or consequential damages, so the above stated limitations or exclusions may not apply to you.**

**This warranty gives you specific legal rights, and you may also have other rights, which vary from state to state.**

For instructions on how to obtain warranty service, contact:

**ASL Technologies, LLC**  
10525 W US Hwy 30, Bldg 3D, Wanatah, In. 46390  
Phone 219.733.2777 or Toll Free 888-333.2990  
Facsimile 219.733.2779 or e-mail [custsvc@aslfilter.com](mailto:custsvc@aslfilter.com)



## **PRODUCT SPECIFICATIONS FPRS S-200 Cabinet Units**

<b>PHYSICAL DIMENSIONS:</b>	
<b>Filter Cabinet:</b>	<b>36" High x 36" Wide x 36" Deep</b>
<b>Cabinet Construction:</b>	<b>10 Gauge Steel</b>
<b>Water Absorber Canister:</b>	<b>18" High x 8" Diameter</b>
<b>SHIPPING WEIGHT:</b>	<b>675 pounds</b>
<b>GROSS WEIGHT DRY:</b>	<b>625 pounds</b>
<b>GROSS WEIGHT WET:</b>	<b>733 pounds</b>
<b>MOTOR:</b>	<b>1/3 HP 1725 RPM</b>
	<b>120 VAC 60 Hz, single phase</b>
	<b>5 amps continuous 6 amps start up</b>
<b>PUMP:</b>	<b>200 GPH w/100 SUS Fluid @ 1725 RPM</b>
	<b>3/4" NPT, Inlet &amp; Outlet Ports</b>
<b>WATER ABSORBER:</b>	<b>5 micron wood/paper element</b>
	<b>(Mineral Oil Units)</b>
<b>INLET &amp; OUTLET</b>	
<b>CONNECTIONS:</b>	<b>3/4" NPT Bulkhead Fittings</b>
<b>SYSTEM VOLTAGE:</b>	
<b>Input Voltage</b>	<b>120 VAC 60 Hz, single phase +/- 10%</b>
<b>Circuit Breaker</b>	<b>10 Amps.</b>
<b>Output Voltage of Power Supply</b>	<b>15KV Nominal 1.9 miliamp (+/-600uA)</b>

**Manufactured in the U.S.A.**



**ASL Technologies, LLC**  
10525 W US Hwy 30, Bldg 3D Wanatah, In. 46390  
Phone 219.733.2777 or Toll Free 888-333.2990  
Facsimile 219.733.2779 or e-mail [custsvc@aslfilter.com](mailto:custsvc@aslfilter.com) [www.aslfilter.com](http://www.aslfilter.com)

---

## ORDERING SPARE AND REPLACEMENT PARTS

A Spare Parts List for your FPRS is included on the following page. Prompt service can be given for spare or replacement parts if ASL has the following information:

1. The part number(s) of the item(s) you need. The Spare Parts List includes the most frequently requested items.
2. The quantity needed. Please remember to order spares, if needed.
3. Order fulfillment information:
  - ✓ Preferred shipping carrier information (ASL is an On-Line daily UPS shipper)
  - ✓ Ground, Next Day, Second Day, etc.
  - ✓ "Bill To" Address
  - ✓ "Ship To" Address (we cannot ship to a P.O. Box)
  - ✓ Purchase Order Number

Parts will be invoiced F.O.B. Wanatah, IN. at the prices in effect at the time of the shipment. Terms will be Net 30 days. We also accept Visa, MasterCard, and American Express.

**Order Address:** **ASL Technologies, LLC**  
**Parts Department**  
**10525 W. US Hwy 30, Bldg. 3D**  
**Wanatah, IN. 43690**

**Telephone:** **219.733.2777**  
**Toll Free:** **888.333.2990**  
**Facsimile:** **219.733.2779**  
**E-Mail:** **[custsvc@aslfilter.com](mailto:custsvc@aslfilter.com)**  
**Internet:** **[www.aslfilter.com](http://www.aslfilter.com)**

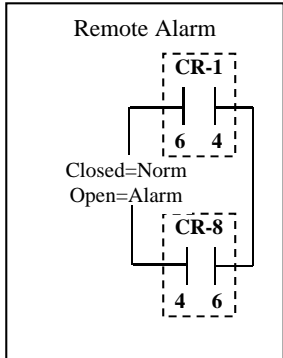
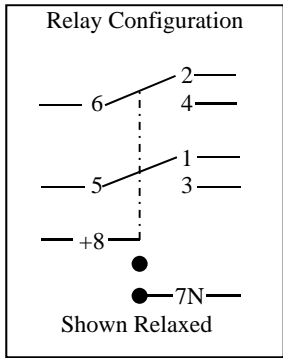
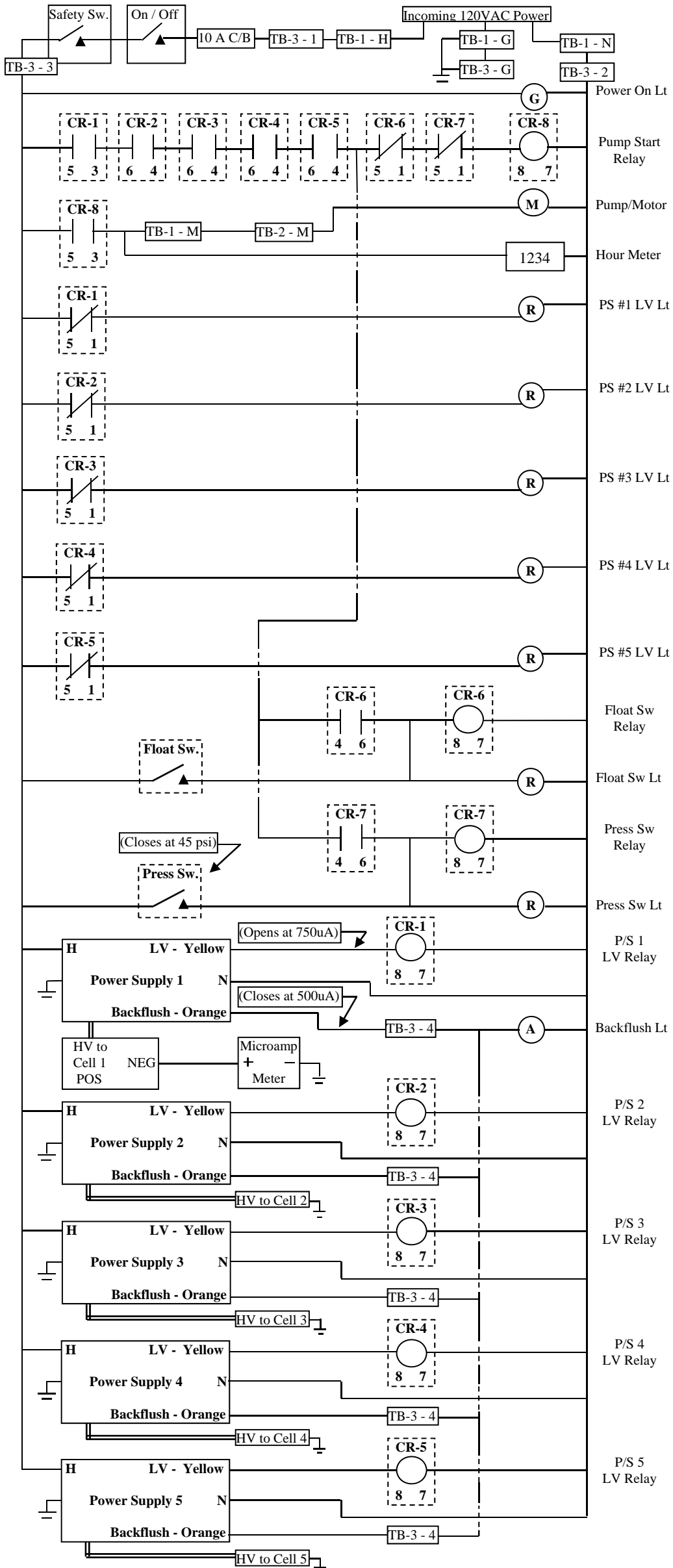


## FPRS S-200 Cabinet Spare / Replacement Parts

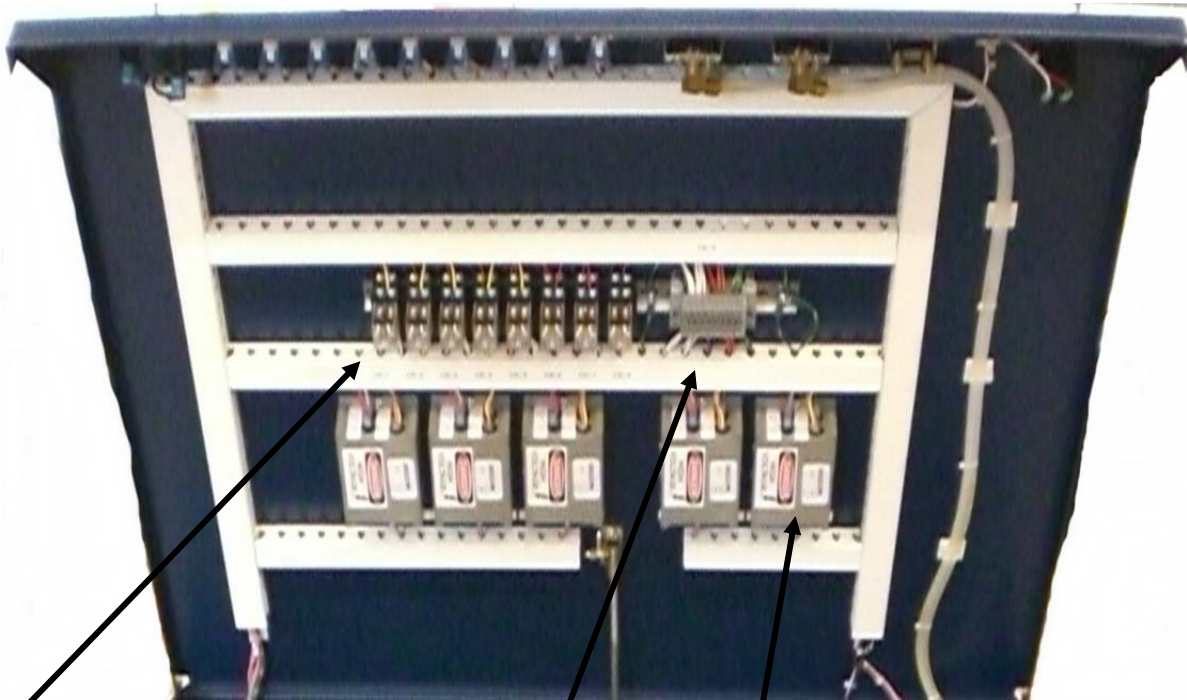
DESCRIPTION	PART NUMBER
<b>Call ASL for any parts not listed</b>	
High Voltage Power Supply (ALL)	CS-2223-P8
S-200 Pump/Motor/coupler ASSY	FPRS 200 Pump/Motor Assy (includes bellhousing & coupler)
S-200 Pump only	R80-0007 (3 GPM Baker)
S-200 Motor only (Leeson)	102930 1/3 HP Leeson
S-200 Coupler only	Lovejoy 1/2"
Water Absorber Element	WAEB-18
Water Absorber can 'O' ring (Buna)	R40-0009
Electrostatic Cell	R61CS-115 (See red tag on top of cell for your exact part number)
Pressure Gauge(s)	E 1401 UC
Lid Safety Switch	07F 038
Lid/Front Cover Magnet	11242
Hour Meter	722-0001
Microamp Meter	S13260
S-200 Service Manual (This Manual)	S-200 Series Cabinet Service Manual
Laminated wiring diagram (Inside front cover)	S-200 Series-Wiring Diagram
Power Switch	7500K14
Circuit Breaker	4AO45
Green Power Lamp Assy	1052-QC5
Amber Lamp Assy - Backflush	1050-QC3
Red Lamp Assy (Low Voltage, Float Switch, Over Pressure)	1050-QC1
Relay, CR-1 through CR-8	LY2 – 120VAC, 10 Amp contacts
Float Switch	M8700
Pressure Switch	PDA-4-4R4M-C-FL
Remote Alarm Connector	DC68-2-2
Power Cord – 9'	70355 K34
Oil Sample Test Port (Push to test type-Viton)	KP14N-V-1
Cell Q.D. Female	F-3HF3
Pressure Gauge tubing	PT24004NA-100
Cell Inlet (Blue) hose 3/8" (Parker)	801-6 BLU (Blue Cell Inlet Hoses 16.5")
Cell Outlet (Gray) hose 3/8" (Parker)	801-6 GRA (Gray Cell Outlet hoses 23.5")
Lid hold open prop rod assy	Strongarm 4317

**Serial #'s 006 and up.**

# FPRS-S200 Wiring Diagram



## Cover Electrical Component Locations



Relays- CR-1 thru CR-8 Left to Right

TB-3

- 1 – Incoming 120VAC + from TB-1 H - Black
- 2 – Neutral - White
- 3 – Switched Power Red – Black
- 4 – Backflush – Orange
- G – Grounds – Green

Power Supplies – P/S-1 thru P/S-5 Left to Right

---

## **MAINTENANCE AND TROUBLESHOOTING**

The FPRS system is designed to give years of trouble free service with little attention. The front panel lights, microammeter and system pressure gauges will show signs of trouble, weather caused by contaminant buildup or component failure. The system was designed to make troubleshooting and repair as painless as possible, while providing maximum safety, system protection, and trouble indication. The following theory of operation and troubleshooting guides make reference to drawings and charts located within this manual. Please refer to them to reinforce your knowledge of this product. Remember that ASL Technicians are just a phone call away, should you need any advice or assistance.

### **ELECTRICAL THEORY OF OPERATION**

Refer to the wiring diagram on page 31 (the wiring diagram is also laminated and pasted inside the front cover) The FPRS-S-200 series units use the following wiring conventions:

1. Black wires – 120VAC Power
2. White wires – 120 VAC Neutral
3. Green Wires – Ground
4. Yellow wires – H.V. Power Supply Low Voltage alarm circuit
5. Orange wires – H.V. Power Supply Backflush alarm circuit
6. Blue wires – Remote Alarm Circuit
7. Red wires- 120VAC switched/signal

#### **Exceptions:**

- a. The green wire on the pressure switch is capped and not used, but will have 120VAC present when the pressure switch is open (normal condition)
- b. The float switch comes standard with two white wires pre-installed on the switch. These white wires pass 120VAC through the switch when closed.
- c. The red (pink) Hi Voltage wires coming out of the bottom of the power supplies carry 15,000 VDC to the Electrostatic Cells.

### **THE 120VAC POWER CIRCUIT**

120VAC power from the incoming power cord/source goes first to a four-position terminal strip on the back wall of the cabinet, (TB-1) above and to the right of the pump/motor. From there, power (black wire) runs to another terminal strip (TB-3) located on the inside of the top cover, to the right of the relays. Power then runs to the 10A circuit breaker on the front panel. From the circuit breaker, power is fed to the ON/OFF switch on the front panel. Power then flows to one side of the cover safety switch. The other side of the safety switch then goes to TB-3 – 3, and from there spreads to CR1-5, CR8-5, CR2-5, CR3-5, CR4-5, CR5-5, Float switch power (black) wire, the Pressure switch power wire, the 120VAC “in” connector on all 5 High Voltage power supplies, and finally to the “Power” lamp on the front panel. Note that the normally closed contacts of CR1 thru CR5, pins 5 & 1 will momentarily pass 120VAC to the red “Low Voltage” lights on the front panel. Once the H.V. power supplies receive power, a normally closed relay inside the power supply sends power to the coil of CR1 thru CR5, via the yellow wires. The action of CR1 thru CR5 energizing starts the sequence of events to run the system. Note that as soon as the power supply receives incoming power, 15,000 VDC is immediately applied to the terminals of the Electrostatic Cells!

With CR1 thru CR5 coils energized, the contacts of CR1-5&3 close, along with CR2-6&4, CR3-6&4, CR4-6&4, and CR5-6&4, allowing power to flow through the normally closed contacts of CR6- 5 & 1, and CR7- 5 & 1, thus energizing the coil of CR8. Once CR8 closes, power is allowed to flow through the (now closed) contacts of CR8-5 & 3. Power then simultaneously goes to the hour meter on the front panel and through terminal strip TB-1 –M and to TB-2 –M to start the pump/motor. At the same time CR-1 thru CR-5 close, the normally closed contacts of CR1 thru CR5, pins 5 & 1 open, turning the red “Low Voltage” lights on the front panel off. At this point, the system is operating normally. Green “Power” lamp lit, hour meter running, pump/motor running, 15KV supplied to the Electrostatic Cells.



## TROUBLE INDICATING CIRCUITS and TROUBLESHOOTING

### LOW VOLTAGE INDICATOR

The red “Low Voltage” lights indicate that the Electrostatic Cell High Voltage DC power supply is no longer putting out enough voltage to hold particulate trapped within the Electrostatic Cell. Note that these lights will illuminate briefly when power is first turned on.

The low voltage indication is controlled by a normally closed relay within the high voltage power supply. This relay (the yellow wire coming out of the power supply) remains closed until the power supply senses a load of 700 (or more) microamps. At that point, the internal relay opens, and the 120 VAC that was present on the yellow wire drops to zero. This starts a chain of events that commences with the coil of CR-1 relaxing. When CR-1 opens, contacts CR1 – 5 & 3 open, stopping the flow of power to the coil of CR-8, which in turn stops power to the hour meter and pump/motor. At the same time, the contacts of CR1 – 5 & 1 close, allowing power to illuminate the low voltage light for power supply #1. The other four power supplies work in the same manner. CR-2 for power supply 2, CR-3 for power supply 3, etc. Note also that power supply 1 is connected to Electrostatic Cell 1, power supply 2 to Electrostatic Cell 2, on so on. Refer to the wiring diagram on page 29 of this manual. The schematic is also laminated and glued to the inside surface of the front cover.

The idea here is that if any one of the high voltage power supplies no longer has enough voltage output to keep particulate trapped within the Electrostatic Cell, the pump needs to be stopped immediately. The backflush procedure depends on this phenomena to operate, i.e. Once power is removed from the cell, contaminant can then be blown out with shop air.

The system will try to keep running, however, and the power supply will reset itself and try to turn on again. If the conditions that caused the low voltage indication are still present, the pump will stop and start as the power supply tries to reset itself. If you observe a “flashing” low voltage light, you should shut down the system immediately and investigate the cause. Remember that the low voltage indicator light should reflect the microamps being consumed, so a low voltage light should be confirmed by observing the microammeter indicating 700 or more microamps.


Causes for a low voltage light. The low voltage light can be caused by one or more of the following:

1. **Shorted Electrostatic Cell.**

The Electrostatic Cell can short due to ingestion of water, or accumulation of an excessive amount of particulate, particularly ferrous particulate.

- a. Turn power off and un plug the FPRS from the power source.
- b. Using a screwdriver with an insulated handle, short across both POS and NEG terminals of the Electrostatic Cell to dissipate any static electricity.
- c. Remove the red POS spark plug boot/terminal from the Electrostatic Cell.
- d. Remove relay CR-8 to prevent the pump from starting.
- e. Re-connect power, and turn on the power switch. Note that you will have to defeat the cover safety switch to continue. **USE CAUTION**
- f. If the low voltage light is now off, the Electrostatic Cell is shorted, and should be backflushed and/or replaced.
- g. If the low voltage light is on with the corresponding Cell disconnected, the power supply is defective and should be replaced.
- h. Note that it is possible to have both a shorted Cell and a bad power supply at the same time. If you have a spare cell, try it first before replacing the power supply.
- i. Note that a defective CR-1 thru CR-5 relay and associated wiring can also cause a low voltage indication.



2. **Defective Power Supply.**
- If the internal, normally closed low voltage relay in the power supply is defective, a low voltage indication will result. Trouble shoot this failure as follows:
- 
- a. Turn power off and un plug the FPRS from the power source.
  - b. Remove relay CR-8 to prevent the pump from starting.
  - c. Remove the POS spark plug boot/terminal from the Electrostatic Cell associated with the Low Voltage light. The convention is P/S #1 is related to Cell #1 and Relay CR-1. P/S #2, Cell #2, Relay CR-2, etc.
  - d. Restore power to the FPRS and turn the power on. Note that you will have to defeat the cover safety switch to continue. **USE CAUTION**
  - e. Using an AC voltmeter, check for 120VAC at the “L+ HOT” terminal on the high voltage power supply in question.
  - f. If OK, check for 120VAC on pin 8 (yellow wire) of the associated relay. (CR-1 for P/S #1, etc.)
  - g. If 120VAC is present at the power supply L+ HOT terminal, and no power is present on the yellow wire, the power supply must be replaced.
  - h. If 120VAC is present on both the above terminals, check for 120VAC at pin 8 of the appropriate relay. If no voltage present, repair wiring. If 120VAC is present, check for voltage at pin 3 of CR-1. If no voltage present, replace Relay CR-1.
  - i. Note that all relays in the FPRS-S200 are the same, and can be swapped for troubleshooting purposes.
  - j. Once repairs are completed, remember to re-install relay CR-8.
  - k. With respect to the High Voltage DC section, the best way to confirm a “bad” power supply, is to obtain a “times 1000” high voltage probe for your voltmeter. Using the Hi-Voltage probe plugged into the red spark plug terminal/boot, a properly operating power supply will indicate 15.00 to 16.00 VDC (15,000 to 16,000 VDC) Defective power supplies will read “0” to 4 KVA.
  - l. **The number one reason for power supply high voltage section failure is operating the Electrostatic Cell beyond one year. (8700 hours)**

### **BACKFLUSH INDICATOR (AMBER)**

Backflushing of the Electrostatic Cell in your unit is unique to the FPRS system. Backflushing the contaminates out of the cell allows for much longer filtration life than with conventional mechanical filters.

The amber “backflush” light is controlled directly by the high voltage power supply orange wire. A normally open relay, inside the high voltage power supply, closes when the power supply senses approximately 500 microamps. As shown on the wiring diagram, once the internal relay closes, the amber backflush light receives power directly. Note that in the FPRS-S200, all five power supplies orange backflush wires are connected to TB-3 terminal 4, which is connected to the backflush light.

A backflush light should always be confirmed by observing the microammeter reading of approximately 500 microamps. Note that the microammeter is connected between system ground and the NEG terminal on the #1 Electrostatic Cell. The orange wired backflush relay inside the power supply also senses 500 microamps, and lights the light, but in a different manner.

Under normal circumstances, when the backflush light comes on, and the microammeter reads 500 microamps, it’s time to backflush all 5 cells, in accordance with the Backflush procedure on page 21 of this manual.

---

A backflush light on, with a low microammeter reading, most likely indicates a defective power supply relay, sensing circuit, or a defective microammeter. In troubleshooting, if you “jumper” in a spare microammeter, note that the “+” on the meter goes toward the Electrostatic Cell.

The opposite case of a microammeter reading 500, with no accompanying backflush light, should be troubleshot as follows:



1. Secure power to the FPRS.
2. Open the cover and locate the orange wire on terminal 4 of TB-3.
3. Turn power on. Note that you will have to defeat the cover safety switch to continue.  
**(USE CAUTION)**
4. Using a voltmeter, check for 120VAC on the orange wire. If 120VAC is present, replace the amber backflush lamp assy. Note that all of the indicator lights are of the “non-relampable” type, and must be replaced completely.
5. If 120VAC is not present on the orange wire, the power supply is defective.

### **FLOAT SWITCH INDICATOR (RED)**

The float switch prevents an internal FPRS leak from draining the reservoir and is designed to be a “non-resetting” safety fault. The float switch itself is located in a bracket on the drip tray in the bottom of the base cabinet in the right front corner, below the Water Absorber canister. In case of a fluid leak, the float switch will slowly rise on the fluid until the internal magnetic contacts close. Once these contacts close, several things happen at once.

When the contacts of the float switch close, power, which has been sitting on one side of the switch, is allowed to travel to the red float switch light, the coil of CR-6 and contact CR6 – 6. Once CR-6 is energized, the normally closed contacts of CR6 -5 & 1, open, stopping the flow of power to the coil of CR-8. When CR-8 opens, power is removed from the pump and hour meter. The wire coming back down from CR5 – 4, provides power through the (now closed) contacts of CR6 – 4 & 6, keeping the red float switch light on, and the coil of CR-6 closed.

Thus, even though the float switch may only “bump” closed momentarily, the red light and fault will remain “latched” on until an operator intervenes.

If a red “float switch” light is observed, immediately investigate the source of the leak and make any necessary repairs. To reset the fault, turn power off, and then back on.

This circuit can be tested by intentionally closing the float switch, and observing that the light illuminates, and the pump and hour meter stop. Opening the switch will not reset the light, or start the motor.

Troubleshooting this circuit is straightforward. The only components are the float switch itself, relay CR-6, and the associated wiring.

## **OVERPRESSURE (RED)**

The overpressure light circuit in the FPRS-S series units is wired differently than earlier ASL “ABH” or mobile cart units. In the S series units, the overpressure is utilized as an absolute upper pressure limit, and will shut the unit down when activated. Like the float switch fault, the over pressure fault is a latching, non-resetting fault.

As stated elsewhere in this manual, the bypass relief valve on the pump in your FPRS unit is adjusted at the factory so that the pump will be in “full bypass” at approximately 40 psi. If for some reason the bypass relief valve in the pump should fail, system pressures could rise drastically very quickly. The pump is easily capable of pressures exceeding 200 psi. Such a sudden pressure rise, if not checked, could blow the seals in the Electrostatic Cells, water absorber canister, and rupture hoses within the system, causing significant equipment damage and/or personnel injury.

The pressure switch, located on the water absorber canister, is adjusted at the factory to close at approximately three to five psi higher than the pump bypass relief valve, i.e. 43 to 45 psi.

When the contacts of the pressure switch close, power, which has been sitting on the black wire, is allowed to travel through the red pressure switch wire to the red overpressure light, the coil of CR-7 and contact CR7 – 6. Once CR-7 is energized, the normally closed contacts of CR7 -5 & 1, open, stopping the flow of power to the coil of CR-8. When CR-8 opens, power is removed from the pump and hour meter. The wire coming back down from CR5 – 4, provides power through the (now closed) contacts of CR7 – 4 & 6, keeping the overpressure light on, and the coil of CR-7 closed.

Thus, even though the pressure switch may only “bump” closed momentarily, the red light and fault will remain “latched” on until an operator intervenes. Cycle power off – then on.

As designed, when the overpressure circuit is operating properly, it indicates a failure of the pump assembly and/or the pump relief valve. Repairs on the pump should only be undertaken by experienced hydraulic pump repair persons. New/spare pumps can be purchased through ASL.

Troubleshooting this circuit is straightforward. The only components are the pressure switch itself, relay CR-7, and the associated wiring. See the “Removal and Replacement of Components” section, starting on page 37.

## **MICROAMMETER**

The microammeter, located on the front panel between the elapsed time meter and the Absorber pressure gauge, indicates, in micro-amperes, how much current the #1 Electrostatic Cell is pulling from the high voltage power supply. The microammeter shows the general condition of the cell and is a good way to predict impending maintenance actions.

As stated previously in this manual, the microammeter has two readings that are related to two indicator lights on the front panel.

1. At approximately 500 microamperes, the amber “Backflush” light will light, indicating that Electrostatic Cell backflush is required. Shut down the system and backflush the Cells in accordance with the instructions on page 21 of this manual. Note that under normal operating conditions, the microammeter will rise slowly toward 500, giving maintenance adequate warning that backflush time is approaching. Note that the system will continue to operate beyond 500 microamperes, all the way up to 700 microamperes, when the “Low Voltage” light comes on, and the system shuts down. Operation above 500 microamperes for any extended period of time is not recommended, and the cells should be backflushed or replaced as soon as practical.



2. At approximately 700 microamps, the red “Low Voltage” light will come on, and the system will shut down. Unless the reservoir is suddenly flooded with water, or the high voltage power supply fails, you should never see the Low Voltage light come on, other than one or two seconds at initial power-up of the system.

The microammeter on your FPRS system should be checked frequently. When the system is new, and the oil in your reservoir is clean, microamp readings will be low. Normally, the meter will climb very slowly over time, and may take months to reach 500. On other systems, the meter could start at 200 and slowly climb, or even go down over time. The main thing to watch for is erratic movements, rapid climbing, etc. A rapid climb most always indicates water has entered the system, and finding and correcting the source of the water intrusion should be paramount. Once water has entered the Electrostatic Cell, concentrations of 600 ppm and higher, will short it out rapidly. Replacement of the water absorber and Backflushing the Electrostatic Cell (perhaps several times) will restore proper operation.

Changes in microammeter readings will also occur under the following fluid conditions:

1. **HEAT** – Current Increases. Fluid temp. will cause the uA to increase. A rise from 80°F to 110°F can sometimes double the uA. In turn, as fluid temp. decreases, so will the uA.
2. **COOLING** – Current decreases.
3. **WATER** – Water can make the “base current” appear higher than it really is.
4. **VARNISH** – Although the Electrostatic Cell is capable of capturing a lot of varnish before it will affect the operation of the Cell, at some point, as the oil oxidizes, varnish will cause the efficiency of the cell to decrease, and the Cell will need to be replaced.

### ELAPSED TIME METER

The elapsed time indicator on the front panel reads in hours and hundredths of hours. The meter is very accurate and reads to 99,999.99 hours.

The meter runs on 120 VAC 60 cycle, single-phase power, which comes from CR8 – 3. This relay contact also supplies power to the pump/motor assembly. Hence, the meter only runs when the pump is receiving power.

In troubleshooting a defective hour meter, with the system running, check for 120VAC power at relay CR8 – 3, if no voltage present, the pump is not running either. If voltage is present, and the pump is running, check for power at the red wire on the back of the meter. If voltage is present (check the white neutral also) replace the meter. If voltage is not present, check the wire running from CR8 –3 to the meter. Note that two wires are installed on CR8-3, black goes to the pump, and red goes to the meter.

If the pump and motor AND the meter are not running (no other abnormal system indications) check for 120VAC at the coil of CR8 – 8. If voltage is present, there should be power on CR8 – 3. If no voltage on CR8 –3, replace the relay. If no voltage present on the coil of CR8 – 8, trace backwards to CR7 – 1, CR6 – 1, etc. The coil of CR-8 can only receive power if all 5 High Voltage Power Supplies are working, and there are no faults from the pressure switch, or float switch. Refer to the wiring diagram on page 29 of this manual.

### REMOTE ALARM CIRCUIT

The remote alarm circuit consists of two sets of “dry” contacts in relays CR-1 and CR-8. CR8 – 6 & 4, are closed during normal operation, as are CR8 – 4 & 6. Two wires lead out to a two pin male “spade” connector, which accepts .250 inch female spade terminals. This connector is located on the right side of the cabinet, just below the power cord.

During normal operation, these two pins will have continuity between them, and are for customer interface with an outside indication or warning system such as a PLC. When attaching an external system, do not exceed 24 VDC.

Thus, any problem that stops any power supply (CR-1 thru CR-5) or the Pump (CR-8) will cause an open between the two remote alarm contacts.

### **PUMP/MOTOR ASSEMBLY**

The pump and motor assembly used in your FPRS is designed for continuous duty, and will give many years of trouble free service. For your convenience, the pump manufacturers service manual is located in the last section of this manual, starting on page 45. The pump and motor consists of three basic parts, which are all easily field replaceable.

Coupling the pump to the motor is a lovejoy-type coupler. Replacement of the pump or coupler is straightforward, and should present no problem for maintenance. See the following section for removal and replacement of the pump, along with required adjustments.

## **REMOVAL AND REPLACEMENT OF COMPONENTS**

### **Front Panel Indicator Lights**

These lights are the “non-relampable” type, and are a “snap-fit” into the top cover. Remove the two .186 spade connectors, and compress the tangs on the sides of the lamp using thumb and forefinger. Push the lamp from the back out through the front cover. Replacement lights are available from ASL.

### **Microammeter**

The microammeter is a special Simpson DC Microamperes design. Using a meter not intended for your FPRS is not recommended and could result in damage to the equipment. To replace the meter, remove the two 5/16” nuts which secure the green wires to the back of the meter. Using a ¼” nut driver, remove the four nuts and lockwashers securing the meter to the cover. Push the meter out from the back to the front. Install the new meter (make sure it’s right side up) and secure the four ¼” nuts/lockwashers, taking care not to over tighten. Re-install the wiring to the two posts, making sure that the wire on the “+” terminal goes to the #1 Electrostatic Cell.

### **Hour Meter**

The hourmeter is held in place with two 6-32 screws and locknuts. Remove the two spade wiring terminals from the meter by pulling straight up. Remove and retain the attaching screws and nuts. Remove the meter by pushing it out from back to front. Install the new meter (make sure it’s right side up) using the retained screws and nuts, and re-attach the spade terminals.

### **Hi Voltage Power Supply**

Secure power to the FPRS before replacing the power supply.

1. Using an insulated screwdriver, short across the POS and NEG terminals of the Electrostatic Cell to dissipate any static electricity.
2. Using one hand, remove the POS terminal from the Electrostatic Cell.
3. Cut all ty-wraps securing the POS and NEG leads from the cell to the power supply.
4. Remove the wiring trough cover above the power supplies.
5. Locate the two-pin Molex connector for the Yellow and Orange wires coming from the power supply, and disconnect it by pulling the two halves apart.
6. Pull the three spade connectors (Power, Neutral and Ground) from the power supply.



7. Remove the two 6-32 nuts and washers from the studs, and remove the power supply from the unit. Note that the red high voltage lead and spark plug terminal/boot remain attached to the power supply.
8. Install the new power supply in the reverse order. Note that replacement power supplies have a relatively long Positive lead with the boot and terminal installed at the factory.
9. Plug in the three spade connectors to the power supply, observing wire color codes and power supply connector labels. Red wire to HOT +, Green wire to GND, and white wire to HOT -. Connect the two pin yellow/orange connector to the harness, and re-install the wire trough cover.

### Electrostatic Cell

See page 22 in this manual.

### Water Absorber Element

See page 23 in this manual.

### Pump/Motor COMBINATION

Replacement of the pump and motor is straightforward. The pump/motor is secured to studs in the back of the cabinet with four ¼-20 locknuts and flat washers. Secure power to the unit before any servicing.

1. Start by removing the motor wiring box cover and disconnecting the wire nuts tying the SO cord to the motor leads. The green ground wire is secured with a green screw to the motor inside the motor wiring box. Pull the SO cord out of the motor wiring box and plastic “Heyco” connector. Note that wire connections and numbers are located on the motor nameplate, as well as page 44 of this manual.
2. The hose connections to the motor are of the “push-lock” type, and will have to be cut. Slit the inlet and outlet hoses the minimum amount necessary to allow removal of the hoses from the push-lock fittings. Trim the hose ends square for re-installation. Excessive slitting and /or trimming will render the hoses too short, and they will have to be replaced. There is enough excess hose length to remove and replace the pump at least once or twice.
3. With the wiring and hoses disconnected, remove the four ¼-20 nuts and washers, and remove the pump/motor assembly from the cabinet.
4. With both the old and new pumps/motors on the workbench, transfer the inlet/outlet hose fittings and the black “Heyco” wiring fitting to the new pump/motor. Take care to align the fittings the same way they were. Use a suitable thread sealer on all pipe threads.
5. Install the pump/motor into the cabinet by reversing the above instructions. A drop of lubricant on the push-lock fittings will ease installation of the hoses.
6. Secure all wiring and hoses and proceed to **“PUMP and PRESSURE SWITCH ADJUSTMENTS”** on page 40.

### Replacement of PUMP only

If you have determined that only the pump needs to be replaced, the motor and it’s electrical connections can remain attached to the cabinet.

1. Remove the pump inlet and outlet hoses. The fittings are of the “push-lock” type, and the hoses must be cut. Slit the inlet and outlet hoses the minimum amount necessary to allow removal of the hoses from the push-lock fittings. Trim the hose ends square for re-installation. Excessive slitting and /or trimming will render the hoses too short,



- and they will have to be replaced. There is enough excess hose length to remove and replace the pump at least once or twice.
2. Loosen the two allen set screws securing the pump to the motor.
  3. Using a suitable Allen wrench, loosen the setscrews on the Lovejoy coupler.
  4. Separate the pump from the motor by pulling straight up on the pump body while rotating the pump.
  5. With the old and new pumps on the workbench, transfer the inlet and outlet fittings to the new pump. Take care to align the fittings as they were. Use a suitable thread sealer on all pipe threads.
  6. Assemble pump to motor in reverse order, remembering to align and tighten the Lovejoy coupler set screws.
  7. Re-install inlet and outlet hoses. A drop of lubricant on the push-lock fittings will ease installation of the hoses.
  8. Proceed to “PUMP and PRESSURE SWITCH ADJUSTMENTS” on page 40.

### **Replacement of MOTOR only**

If you have determined that only the motor needs to be replaced, the pump and its attached hoses can remain in the cabinet.

1. Start by removing the motor wiring box cover and disconnecting the wire nuts tying the SO cord to the motor leads. The green ground wire is secured with a green screw to the motor inside the motor wiring box. Pull the SO cord out of the motor wiring box and plastic “Heyco” connector. Note that wire connections and numbers are located on the motor nameplate, as well as page 43 of this manual.
2. Loosen the two allen set screws securing the pump to the motor.
3. Loosen the setscrews securing the Lovejoy coupler to the pump and motor shaft.
4. Separate the pump from the motor by pulling straight up on the pump body while rotating the pump.
5. With the pump and motor separated and the wiring removed, remove the four ¼-20 nuts and flat washers securing the motor to the cabinet studs and lift the motor out of the cabinet.
6. Transfer the black “Heyco” wiring fitting and locknut to the wiring box of the new motor.
7. Install and align the Lovejoy coupler to the motor shaft.
8. Install the new motor onto the cabinet studs and secure with four ¼-20 locknuts and flat washers.
9. Using a twisting motion, install the pump onto the motor, taking care to align the Lovejoy coupler. Secure the coupler set screws.
10. Tighten the two allen set screws securing the pump to the motor.
11. Re-install the SO cord through the “Heyco” fitting and re-connect wiring in accordance with the diagram on page 44 of this manual.
12. Tie up any loose wiring and return the unit to service. Note that pump adjustments should not be required when replacing the motor only.



---

### **Pressure Switch Replacement**

Replacement of the pressure switch will normally never be required, due to the fact that correct operation of the switch will occur only after failure of the pump by-pass and system pressure has exceeded 43 to 45 psi. There are other instances that could cause illumination of the overpressure light, such as “back-feed” pressure from the outlet side, which could be caused by incorrect installation. Adjustment of this switch, however, is critical and will be required following replacement of the pump or the pressure switch. Replacement of this switch is straightforward, and only requires un-screwing it from the water absorber canister, and connecting the black and red wires. The green wire is not used, and should be capped.

Following pressure switch replacement, proceed to the “**PUMP and PRESSURE SWITCH ADJUSTMENTS**” below.

### **PUMP and PRESSURE SWITCH ADJUSTMENTS**

The following procedure should be followed after replacement of the pump and/or pressure switch. Note that these adjustments are **CRITICAL** to proper system operation and should be read and understood before continuing.



**WARNING** – This procedure will involve temporarily raising system pressures to higher than normal levels. Care should be taken to avoid gross over-pressurization of the system. This procedure will also require that the cover safety switch be defeated. Maintenance personnel are cautioned to take extra care when operating the system with the covers removed. Refer to the pump vendor service manual, starting on page 44 of this manual.

1. Start system and wait until output flow is observed.
2. Remove the jamb nut on the pump relief valve. (3/4” wrench size)
3. Insert an allen wrench into the hex of the adjusting screw and hold it steady.
4. Loosen the locking nut with a wrench by turning counterclockwise.
5. Temporarily attach a ball valve to the “Outlet” port on the right side of the system cabinet. Slowly close the ball valve until the system pressure is at 50 psi. If the pressure fails to reach this level with the ball valve closed, turn the adjusting screw inward (clockwise) until the desired pressure is reached. (Adjusting clockwise raises the pressure setting).
6. If the pressure reaches 50 psi before the throttling valve is completely closed, turn the adjusting screw outward (counterclockwise) until 50 psi is reached. (Adjusting counterclockwise lowers the pressure setting).
7. The pressure switch may close during the above adjustment, shutting the system down with an “Over Pressure” fault. If this happens, the pressure switch adjustment is an 1/8 inch Allen. Turn the pressure switch adjustment clockwise to raise the switch closing point above the pump by pass setting.
8. Once the pump by-pass is set at 50 psi. with the throttling valve closed, open the throttling valve for a few minutes to let the system flow. Operation with the pump in full bypass for long periods will cause excessive heat buildup and could cause damage to the pump.
9. Slowly close the throttling valve until the pressure gauge reads approximately 43 to 45 psi. Adjust the pressure switch slowly counterclockwise until the system shuts down.
10. Open the throttling valve and re-start the system.
11. Slowly close the throttling valve while observing the pressure gauge until the system shuts down. The system should shut down with the “Over Pressure” fault at



- 
- approximately 43 to 45 psi. Repeat the pressure switch adjustment, until the switch closes at approximately 43 to 45 psi.
12. Open the throttling valve and re-start the system. Slowly close the throttling valve until the pressure gauge reads **40 psi**. Turn the pump by-pass adjusting screw counterclockwise until the pressure just begins to drop. Tighten the nut to lock the setting in place.
  13. Open the throttling valve for a few minutes, and then slowly close it fully. Observe that the system pressure stays at 40 psi. with the throttling valve fully closed. Re-adjust if necessary.
  14. Once all adjustments are complete, open the throttling valve completely and check that the pump by-pass adjusting nut is secure.

### **SCHEDULED MAINTENANCE TASKS**

The following is a recommended scheduled maintenance plan, which is intended to provide maximum performance from your FPRS unit.

#### **DAILY**

1. Check that green “Power” lamp is illuminated.
2. Check that pump/motor and hour meter are running,
3. Check system pressure gauge below 35 psi.
4. Check Microammeter below 500 microamps.

#### **WEEKLY**

1. Leave the “Power switch” in the “ON” position, open the top cover and observe that the unit shuts down.
2. Check for any internal leaks.
3. Check for loose relays, wiring and connections for security.
4. Close the top cover and observe that the unit re-starts.
5. Perform the daily checks after the unit has re-started.

#### **MONTHLY**

In addition to the weekly checks above, perform the following additional checks:

1. Using a soft cloth, wipe down the exterior surfaces of the cabinet. The static electricity forces at work inside your FPRS unit will attract dirt and dust from the air around the unit. Pay particular attention to the cooling vents on the back of the cabinet.
2. Inspect the inlet and outlet fluid hoses for signs of leaks or deterioration.
3. Inspect the power cord for evidence of wear or fraying.



**FPRS-S-200**

**ASL Technologies, LLC**

10525 W US Hwy 30, Bldg 3D Wanatah, In. 46390

Phone 219.733.2777 or Toll Free 888-333.2990

Facsimile 219.733.2779 or e-mail [custsvc@aslfilter.com](mailto:custsvc@aslfilter.com)

**[www.aslfilter.com](http://www.aslfilter.com)**

---

**YEARLY**

In addition to the monthly checks above, perform the following additional maintenance actions and checks:

1. Replace the Electrostatic Cells. Even though the system appears to be operating properly, the Electrostatic Cells should be replaced on an annual basis due to internal wear, which can cause arcing and deterioration.
2. Replace Water Absorber element. This throw away element, although designed primarily to entrap free and emulsified water, will also trap larger particulate, and should be replaced at least once each year.



FPRS-S-200

ASL Technologies, LLC

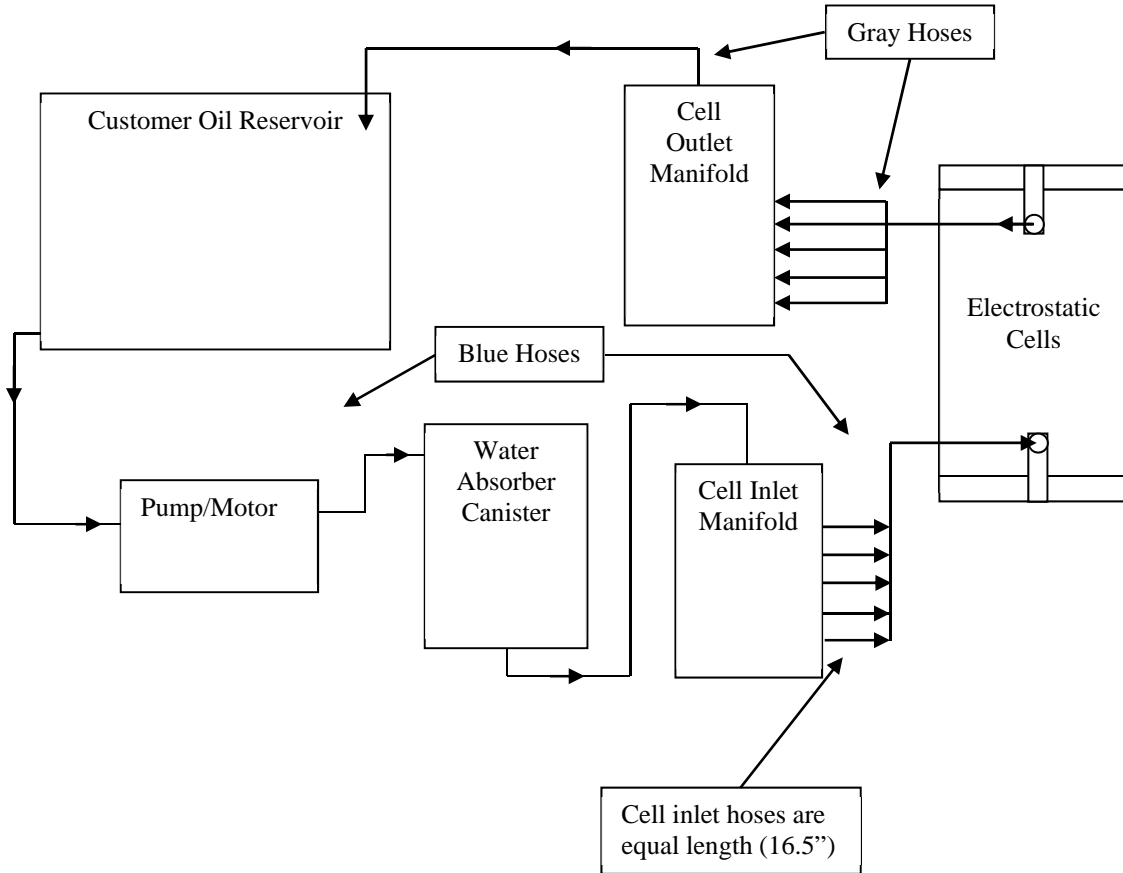
10525 W US Hwy 30, Bldg 3D Wanatah, In. 46390

Phone 219.733.2777 or Toll Free 888-333.2990

Facsimile 219.733.2779 or e-mail [custsvc@aslfilter.com](mailto:custsvc@aslfilter.com)

[www.aslfilter.com](http://www.aslfilter.com)

### FPRS S-200 SERIES CABINET FLUID FLOW DIAGRAM





FPRS-S-200

ASL Technologies, LLC

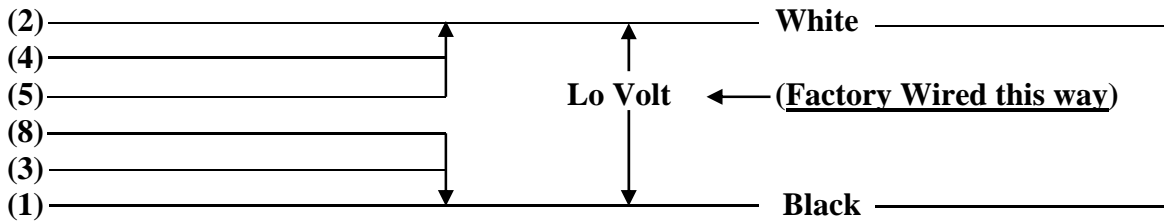
10525 W US Hwy 30, Bldg 3D Wanatah, In. 46390

Phone 219.733.2777 or Toll Free 888-333.2990

Facsimile 219.733.2779 or e-mail custsvc@aslfilter.com

www.aslfilter.com

## Motor Wiring Data (Leeson 102930)

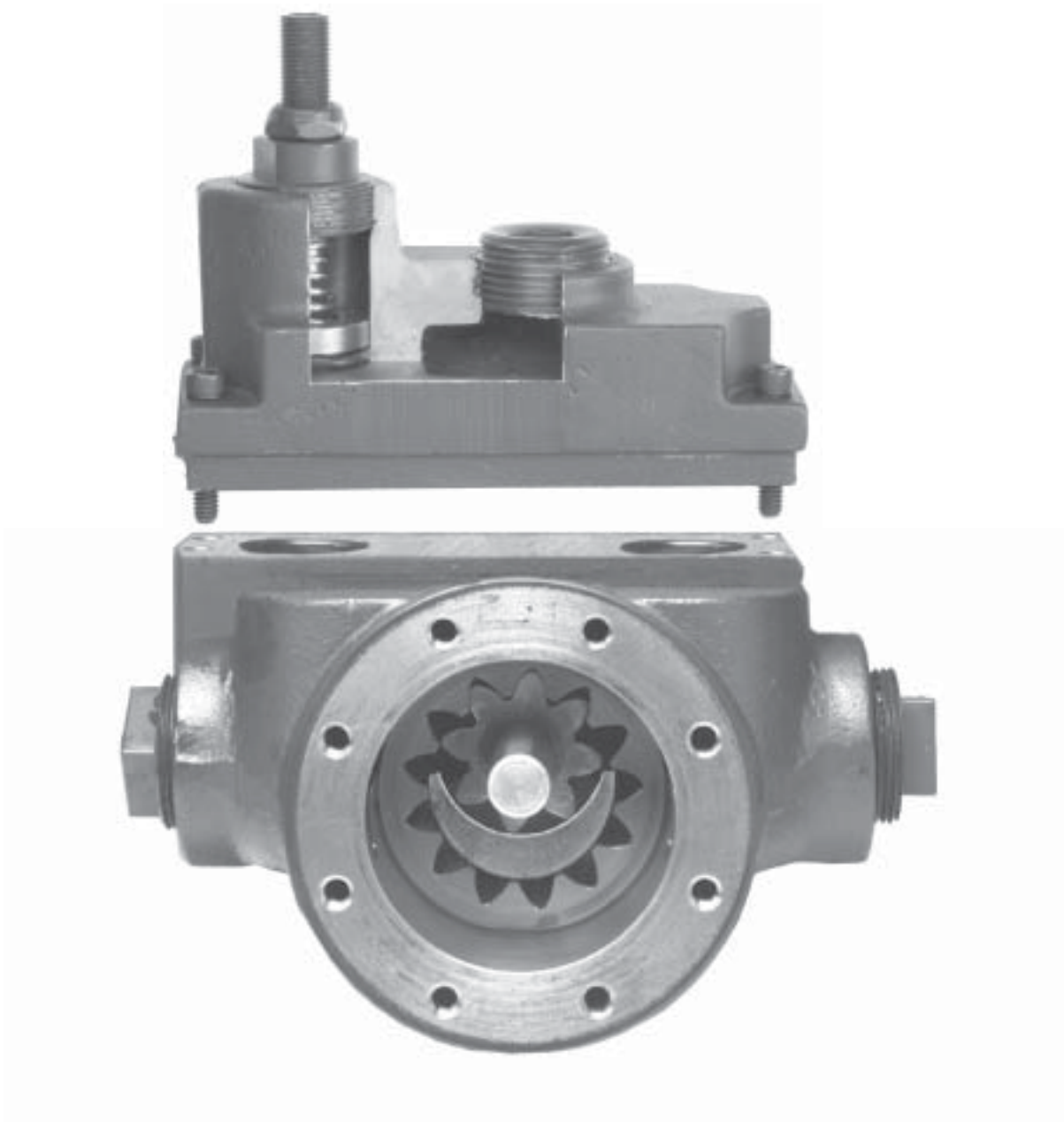


**Do not reverse rotation!**

### Baker R80-0007 3 GPM Pump (ASL Pump is 3U Type)

The following pages contain the vendor service manual for the 3U Type pump used in ASL 200 systems.

# Haight Pumps . . . For Superior Performance



## Operating, Maintenance, and Instruction Manual

# Operating Manual for Haight Positive Displacement Rotary Gear Pumps

## Pre-Installation

1. Choose a location that is easily accessible for pump servicing. Ensure adequate electrical service is available.
2. Locate the pump for direct piping. Special attention should be given to the suction piping which should be as large, or larger, than the pump intake port. **For efficient operation, it is essential the suction side of a gear pump not be restricted.** Avoid tees, elbows, valves, and other flow devices within 12 pipe diameters of the pipe inlet. Provide adequate support for the piping. The pump should not be used to support piping.
3. Pumps are shipped with the suction port marked - **IN**; the discharge port marked - **OUT**. The suction port on pumps with relief valves is the port nearest to the relief valve adjusting screw.
4. Pumps will operate in either direction. However, the relief valve will only function in one direction. Relief valve components are symmetrical and can be installed to operate with either clockwise or counter-clockwise shaft rotation.
5. Have an electrician connect the motor using sound practice. Provide adequate overload protection. **Note: When checking the direction of rotation, the pump must be full of liquid. Pumps fitted with mechanical seals must not run dry, not even momentarily.** Determine the direction of rotation by watching the motor fan.
6. The motor selected meets the requirements of the specified operating conditions. Changed conditions, for example, higher viscosity, higher specific gravity, or lower head losses, can overload the motor. When changing operating conditions, or whenever there is any doubt, please contact your local distributor with the full details.

## Installation

1. Provide a solid foundation free from excessive vibration.
2. Shim to prevent distortion of the pump mount base. Securely anchor the pump and motor to the foundation.
3. All pipe connections on the suction side of the pump must be air tight. An air leak on the suction side of the pump will result in the loss of prime.
4. Provide priming tee on the discharge line of the pump.
5. If the media pumped contains solids, a suction strainer is recommended to exclude solid particles from the pump. Contact Haight Pump for a recommendation.
6. Support the piping independent of the pump. Excessive strain on the pump casing can interfere with gear alignment.
7. When the piping is complete, loosen the bracket set screws and allow the pump to align with the piping. Tighten the bracket set screws and re-check the shaft alignment. Make sure there is no metal to metal contact of the coupling halves. Do not over tighten the pipe/pump connections, as damage can result.
8. A vacuum gauge can be installed in the pipe plug on the relief valve nearest the adjustment screw. A pressure gauge can be installed in the opposite pipe plug.
9. Check the shaft rotation to ensure it is correct. Normal rotation is clockwise as viewed from the shaft side of the pump.

### **Precautionary Notes**

1. Prior to performing any service on the pump or motor:
  - (a) Disconnect and lockout the power source to the motor (refer to OSHA 1910.147.)
  - (b) Shut off any liquid heating source.
  - (c) If the unit operates at elevated temperatures, allow it to cool to room temperature before performing any service.
2. Drain the pump and piping of excess liquid. *Caution: Handle and dispose of liquids in accordance to the manufacturers Material Safety Data Sheets.*

### **Disassembly for Inspection Purposes Only**

1. Remove the bolts from the drive plate.
2. Carefully separate the drive cover and housing. Rotate the pump shaft by hand. It should turn freely. If resistance is present, check for built up residue.
3. Use a soft marker to mark the rotor/pinion location. Remove the rotor from the housing.
4. Inspect the housing, shaft/pinion, rotor, and drive plate for signs of wear or damage. Excessive wear will decrease pump performance.
5. Inspect the O-rings, gaskets, and bearings for chipping, splitting, or missing sections.
6. Inspection of the pump seal requires complete removal of the pump from the motor and bracket.

### **Complete Disassembly for Repair or Replacement**

1. Complete precautionary steps 1 and 2.
2. Loosen the support bracket screws that secure the pump to the bracket.
  - (a) Size 1-8 pumps: 3 set screws
  - (b) Size 10-80 pumps: 4 cap screws
3. Remove the coupling and shaft key. Inspect the shaft end for burrs or other damage.
4. Rotate the pump shaft by hand. It should rotate freely.
5. Remove the bolts from the drive plate.
6. Carefully separate the drive cover and housing.
7. Use a soft marker to mark the rotor/pinion location. Remove the rotor from the housing.
8. Remove the shaft/pinion assembly from the housing.
9. Carefully pry the cover off the housing.
10. Inspect, repair, or replace all damaged parts. *Note: If significant damage is evident to the major pump components, it is best to replace the pump.* If possible, determine the cause of the damage and correct the identified problem.



## **Reassembly**

1. Pump reassembly is the reverse of disassembly. However, care should be exercised in three areas:
  - (a) It is good practice to replace elastomer sealing devices and gaskets every time the pump is reassembled. This is mandatory for Teflon O-rings and lip seals. Gently stretch the O-rings before placing them in the O-ring groove.
  - (b) Place the rotor into position with your mark facing out.
  - (c) Use a cross bolt tightening pattern to re-assemble the housing and covers. Periodically turn the pump shaft. Check for unusual noise. Improper tightening will cause the pump to bind.
2. The pump will function best if primed first. Return the pump to service and check for leaking and loose connections. Air leaks on the suction side of the pump will reduce pump performance.

## **Relief Valve Components**

1. See precautionary notes.
2. To change the relief valve for reverse rotation:
  - (a) Loosen the locknut on the adjusting screw while holding the adjusting screw stationary.
  - (b) Remove the bonnet and bonnet washer.
  - (c) Remove the adjusting screw, spring, and poppet.
  - (d) Remove the cap and cap washer.
3. Reassemble in reverse order. Remember the spring and adjusting screw must be on the suction side of the pump for the relief valve to operate.

## **Special Seal Components**

1. Standard 1 through 40 D/DR pumps use a lip seal as the main shaft seal, and two wiper seals function to keep the bearings clean. These seals are available in Buna-N or Viton synthetic materials.
2. Packed pumps use 4 or 5 element V-cup Teflon shaft seals. Shaft seals are also available in Graphite rope, Graphfoil, and virgin Teflon. A gland is included to provide tension for the packing.
3. Crane Type 9 and Type 21 mechanical seals are available. Contact Haight Pump for special drawings for pumps with mechanical seals.

## **Maintenance Parts or Factory Repair**

1. When ordering parts, locate the pump serial number stamped on the machined face of the cover or body of the pump housing.
2. Haight Pump maintains a repair service shop that will rebuild, test, and return pumps promptly.
3. Remove pipes, coupling, and mounting bracket before returning the pump to the factory.
4. Contact Haight Pump for a Return Authorization number before sending the pump to the factory.

## **General Information**

The following is general information about Haight rotary gear pumps. Due to the variety of options and configurations available, it is not possible to provide detailed information in this manual. Detailed drawings and bill of materials will be provided upon request.

***Never operate a pump with the discharge line closed or plugged. Severe damage to the pump and/or system will result.***

***Haight Pump does not accept responsibility or liability for damage or injury resulting from improper application and/or operation of the pump and/or system.***

Direction of Rotation. Haight pumps are designed to operate in either direction by simply changing the shaft rotation. Pumps supplied with relief valves are the exception to this rule. Failure to reverse the relief valve components will render the relief valve inoperable. The procedure for reversing the flow direction in the relief valve is covered in the *Assembly and Disassembly* instructions.

Pump Alignment. Bedplate mounted pumps and motor combinations are aligned and tested at the factory. Vibration during shipment and/or poor bedplate mounting conditions can cause premature failure or unacceptable noise and vibration.

Simple alignment checks can be performed by placing a straight edge on the top and side of the coupling. Improper alignment is indicated by a separation between the coupling and straight edge. Adjust the motor and pump location until any separation disappears in both planes.

Bedplate Mounting. Install nuts on the foundation bolts to provide location adjustment. Loosely place the bedplate on the foundation bolts. Adjust the bedplate height and location to meet the inlet and outlet piping. Ensure the bedplate is level and true. Fasten in place with lock washers or lock nuts. Check coupling alignment.

Piping. Improper suction piping is the leading cause of poor pump performance, including cavitation, noisy operation, inadequate performance, and premature pump failure. Particular care should be taken to avoid long, restricted pipe runs, the use of elbows, tees, valves, or other flow devices within twelve (12) pipe diameters of the pump inlet. Inlet piping should be at least equal to the pump inlet size.

The discharge piping arrangement is somewhat less critical than the inlet side, however, good engineering practice, as defined by the *Hydraulic Institute*, should be followed.

Pumps are not designed to be used as piping system support devices. Piping systems should have adequate, independent hangers to provide support. Again, the *Hydraulic Institute* offers guidelines for proper pipe support design.

Seals. Haight Pump offers three standard type seals, each with specific operating characteristics.

- *Lip seals:* Available in Buna-N, Viton, Teflon, Silicone, and Kalraz seals. Lip seals are inexpensive, but have certain limitations, which include:
  - Expected operating life of 2,000 -3,000 hours
  - Should not be used with system pressures over 75 psig
  - Should not be used in vacuum applications over 3" Hg

### **General Information: Seals (cont'd)**

- *Packing gland:* Available in Graphfoil, or Teflon, and other materials upon request. Packing glands are useful at high temperatures and pressures, resist shock and vibration, and can be adjusted to accommodate wear. However, packing glands *must weep* to function properly and require adjustment during the start-up operation.

During start-up, or after repacking, run the pump to pressurize the stuffing box. Steady weepage should occur in less than ten (10) minutes. If steady weepage has not begun within ten (10) minutes, stop the pump and allow it to cool. Overheating the gland will damage the packing gland and shaft. Do not loosen the gland adjustment screws. Repeat this process until steady weepage is established.

Adjust the packing gland screws 1/6th of a turn in a cross bolt tightening pattern. Allow to run ten (10) minutes. Continue this process until the weepage rate is approximately one (1) drop per minute. Periodic inspection and adjustment will be required. *Do not* over tighten the packing gland as damage to the gland and shaft will result.

### **Bearings and Rotor/Pinion Shaft**

*DU Bearings.* Recommended for applications over 100 PSI and for thin fluids.

*Teflon Rotor.* Do not use Teflon rotors in applications exceeding 100 PSI, and 200° F. The pump is provided with open tolerances. Increased slip will reduce efficiency with fluids below 200 SSU.

*Delrin Rotor.* Do not use above 120° F and 80 PSI. Delrin rotors provide better abrasion resistance than Teflon rotors. The pump is provided with open tolerances. Increased slip will reduce efficiency with fluids below 200 SSU.

*Stainless Steel Rotor and Pinion.* Manufactured with open tolerances as standard. Increased slip will reduce efficiency with fluids below 200 SSU.

*Note: For applications above 175 PSI, vent both shaft bearings to the suction side of pump.*

### **Spares and Repairs**

Haight Pump operates a repair service for all pumps for which records exist. To ensure the correct parts are supplied, the pump serial number is required. The serial number is stamped into the metal of the pump body or cover, in a prominent position on the top area of the pump.

We advise customers whose pumps are custom fabricated to have spare pumps or parts on hand. Custom fabricated pumps and parts generally have long delivery times for replacement.

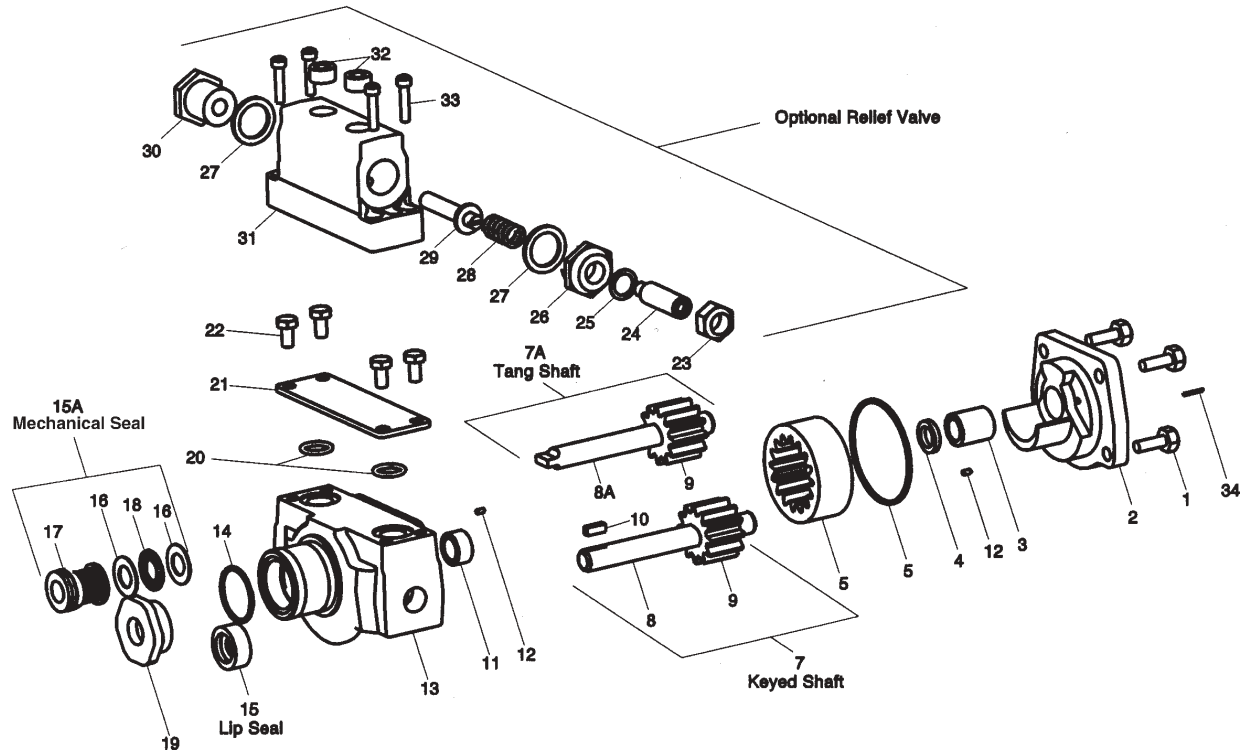
***Pumps That Perform. Pumps That Fit.***

## **Troubleshooting**

<u>Problem</u>	<u>Probable Cause</u>
<i>No liquid delivered.</i>	<ul style="list-style-type: none"><li>• Pump not primed</li><li>• Suction lift too high; check with a gauge at the pump suction</li><li>• Wrong direction of rotation</li><li>• Pump not rotating (failure of drive from prime mover)</li></ul>
<i>Not enough liquid delivered.</i>	<ul style="list-style-type: none"><li>• Air leaks in suction line or through stuffing box</li><li>• Speed too low</li><li>• Suction lift too high, or not enough suction head (for hot liquids)</li><li>• Foot valve too small or obstructed</li><li>• Foot valve or end of suction pipe not immersed deeply enough</li><li>• Piping improperly installed, permitting air or gas to pocket in pump</li><li>• Mechanical defects:<ul style="list-style-type: none"><li>• Pump damaged</li><li>• Pump badly worn</li><li>• Packing defective</li><li>• Relief valve not sealing or jammed by foreign matter</li></ul></li></ul>
<i>Pump works for awhile, then loses suction.</i>	<ul style="list-style-type: none"><li>• Leaky suction lines</li><li>• Suction lift too high</li><li>• Air or gases in liquid</li><li>• Plugged lines or filter</li></ul>
<i>Pump takes too much power.</i>	<ul style="list-style-type: none"><li>• Speed too high</li><li>• Liquid heavier or more viscous than design condition</li><li>• Suction or discharge line obstructed</li><li>• Mechanical defects:<ul style="list-style-type: none"><li>• Shaft bent</li><li>• Rotating element binds</li><li>• Stuffing boxes too tight</li><li>• Misalignment due to improper connection of pipe lines or driver</li></ul></li><li>• Check pressure is being measured at the pump and not some distance away from the pump, thus ignoring pressure losses in piping, valves, etc.</li><li>• Poor piping conditions</li></ul>
<i>Noisy pump.</i>	<ul style="list-style-type: none"><li>• Speed too high</li><li>• Suction lift or viscosity too high (piping diameter too small)</li><li>• Wrong direction of rotation (recesses in the pump covers to prevent hydraulic noise operate only in one direction)</li><li>• Badly supported pipe or bedplates causing resonant vibration</li><li>• Relief valve chattering</li><li>• Pressure too low; an increase in pressure can prevent gear noise in low pressure applications</li><li>• Cavitation due to inlet or outlet conditions</li></ul>
<i>Gland leakage.</i>	<ul style="list-style-type: none"><li>• Packing hard and shaft scored</li><li>• Pressure on pump too high or pressure relief passage blocked</li><li>• Shaft run out excessive</li><li>• When re-packing a gland, all the old packing must be removed; it is not good enough to just add extra rings as the original packing becomes compressed</li></ul>

# 1U through 5U Haight Pump w/o Relief Valve

## 1U through 5U Haight Pump with Relief Valve



Item Number	Description	Qty Required
1	Screw-cover	4
2	Cover	1
3	Shaft bearing	1
4	Wiper Seal	1
5	O-Ring Cover	1
6	Rotor*-C.I.	1
7	Shaft & Pinion Assembly	1
7A	Tanged Shaft & Pinion Assy.	1
7B	Outboard Bearing Shaft & Pinion Assy. (Not shown)	1
8	Shaft Keyed(Not sold separately)	
8A	Shaft-Tang(Not sold separately)	
9	Pinion-Steel(Not sold separately)	
10	Key 1/8 sq. x 1/2" Long	1
11	Shaft Bearing	
12	Set Screw, Vent	1
13	Case 1/2" ports, D.I.	1
14	O-ring Gland	1
15	Lip Seal	
15A	Mechanical T-21 Seal	
16	Washer	2
17	Mechanical Seal	
18	Thrust Bearing	1
19	Gland	1
20	O-ring for cover/Relief Valve	2
21	Cover Plate	1
22	Screw-Cover Plate	4
23	Locking Nut	1
24	Adjustment Screw	1
25	Sealing Washer Std.	1
26	Bonnet	1

Item Number	Description	Qty Required
27	O-ring, Relief Valve	1
28	Spring Standard	1
29	Poppet	1
30	Cap	1
31	Relief Valve Body	1
32	Pipe Plug	2
33	Screw, Valve Body	4
34	Pin	1

Viton® is a registered trademark of DuPont Dow Elastomers