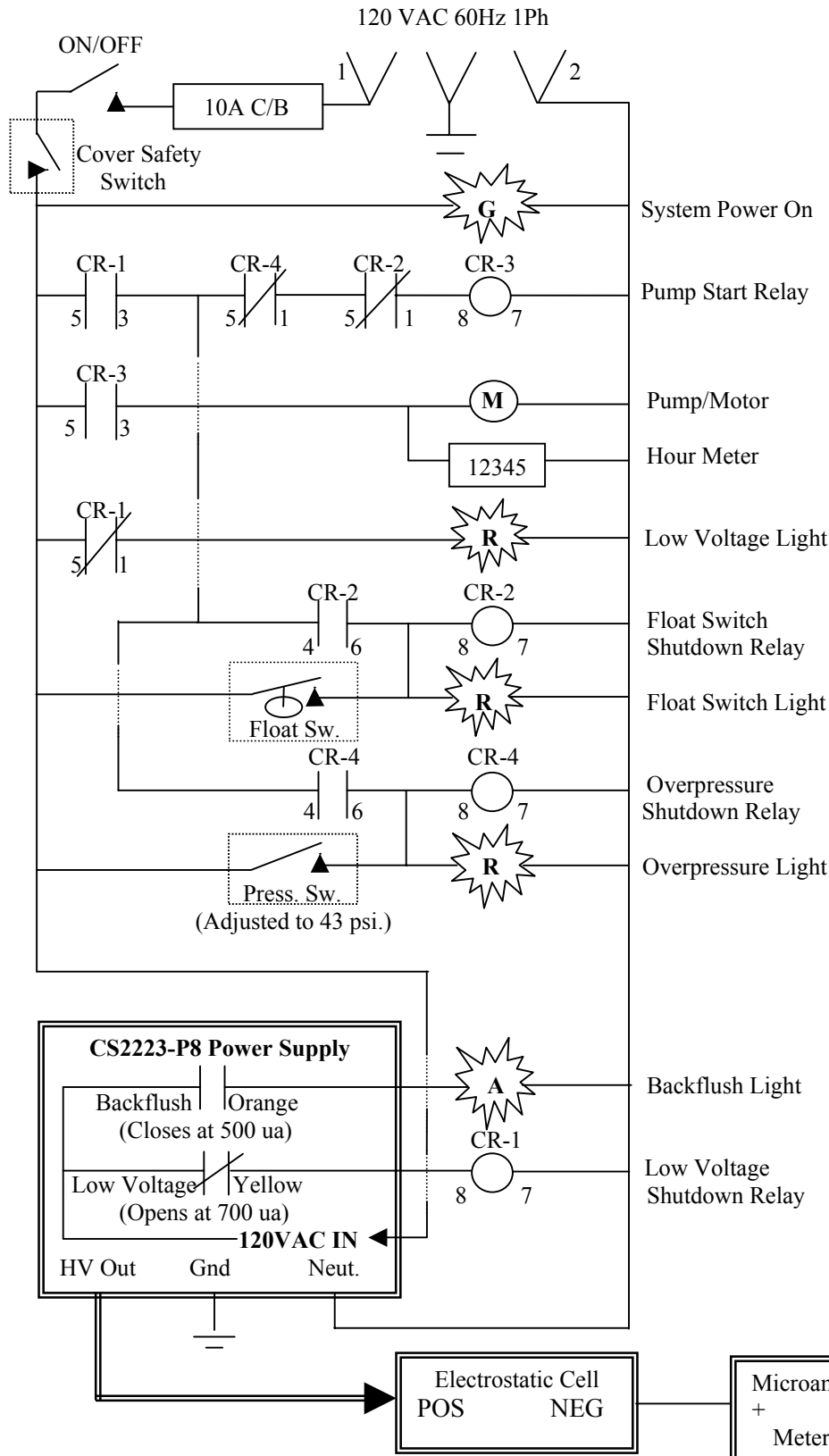


WIRING DIAGRAM S-SERIES CABINET UNITS



CR-1 Low Volt
CR-2 Float Sw.
CR-3 Pump Start
CR-4 Over Press.

