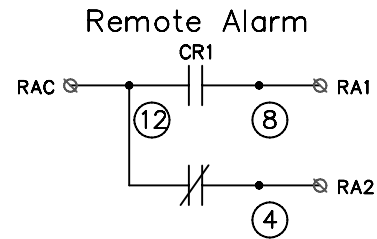
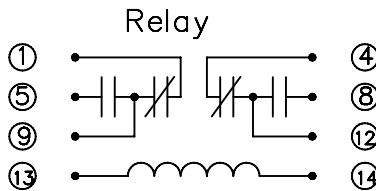
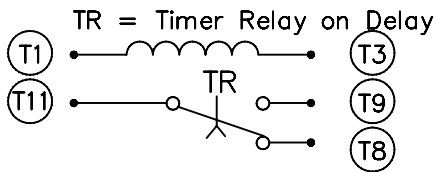
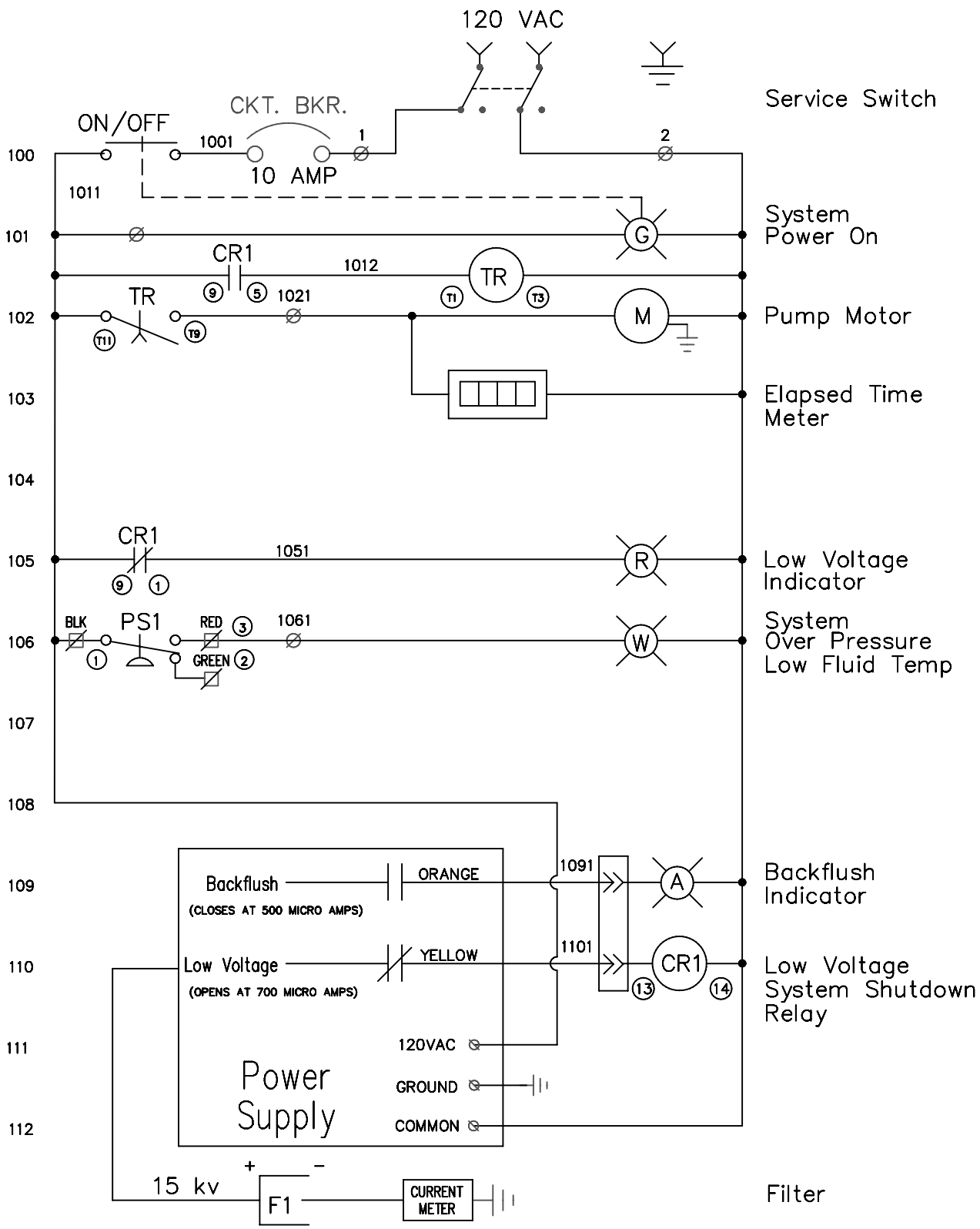


Relay Configurations



408024	7	10/7/97	SEC. E.C.M.	408022	6	9/17/96	DAW	SCALE	ASL Technologies, LLC
E.C.M.	REV.	DATE	DESCRIPTION	E.C.M.	REV.	DATE	APPV.	DWG	MODEL 40
				408018	5	2/6/95	DAW	11/01/00	STANDARD BOLT-ON
				408016	4	1/9/95	DAW		SHEMATIC
				408010	3	8/30/95	DAW		SCHEMATIC
									DATE
									REV.
									8



S-6771-1

S-117-03-012

Power Supply

CURRENT METER