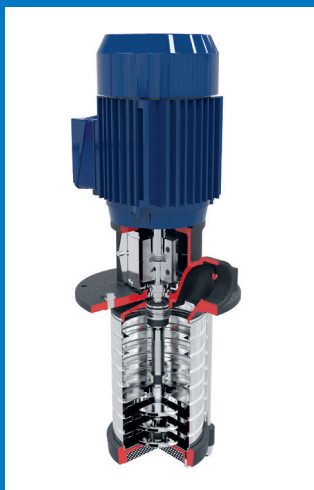


The **dynamics** of water



dpvci
vertical immersible pump



benefits of innovation

Efficient cooling, lubrication as well as cleaning tools and products with a maximum pump efficiency and optimal flexibility is no task for our new immersion DPVCI pumps. The pump range is the result of over more than 55 years of experience and offers a broad and solid base for these applications.

At dp pumps we design and produce all DPVCI pumps in-house. With the feedback from our customers and our service organization we can ensure a constant innovation in the pump range. The new DPVCI pump series is based on our successful DPV series and is leading in terms of energy saving and efficiency. The use of stainless steel materials, advanced production methods and an optimized hydraulic part provide a unique piece of craftsmanship. Due to the modular design of the product the pump is easy to adapt to a specific application and contribute to the reliability of the production.

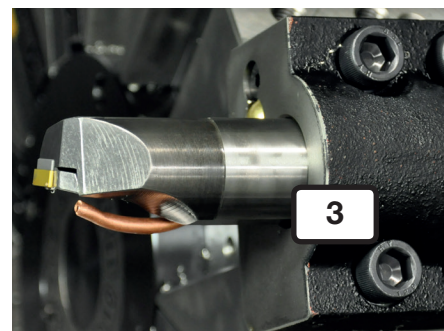
Applications :

- Coolant transport
- Chips removal
- Lubrication
- Product cleaning
- Process
(including the HUV1 Eco Break)

DPVCI installed in a DP HUV1 Eco Break.



Cooling and lubrication fluids for machine tooling



In industrial applications pumps consume a great part of the overall required energy. It is therefore important to act responsible to the environment and the people. This awareness has been translated into important features of our products.

Highest efficiency: saving energy

- High efficiency
- Standard IE2 high efficiency motors
- Optimal flow tailored to standard pipe diameters
- Optimal coverage capacity, simple selection on size

Low NPSH

- Extending the life cycle by optimized inlet conditions
- Value 1,2 up to 2.5 m at Qopt

Modular construction

- Wide range of specifications
- Special is standard
- Short delivery times

Durable

- High-quality materials
- 100% tunable on application; longer life
- Sustainable production; modern welding and production
- ISO 9001 certified

Ecodesign

- High score within ERP directive
- Sustainable materials
- 100% recyclable
- Minimal waste production
- ISO 14001 certified

Soundlevel

- low noise by optimizing the flow profile of the pump and special motor design



choices

Motor stool

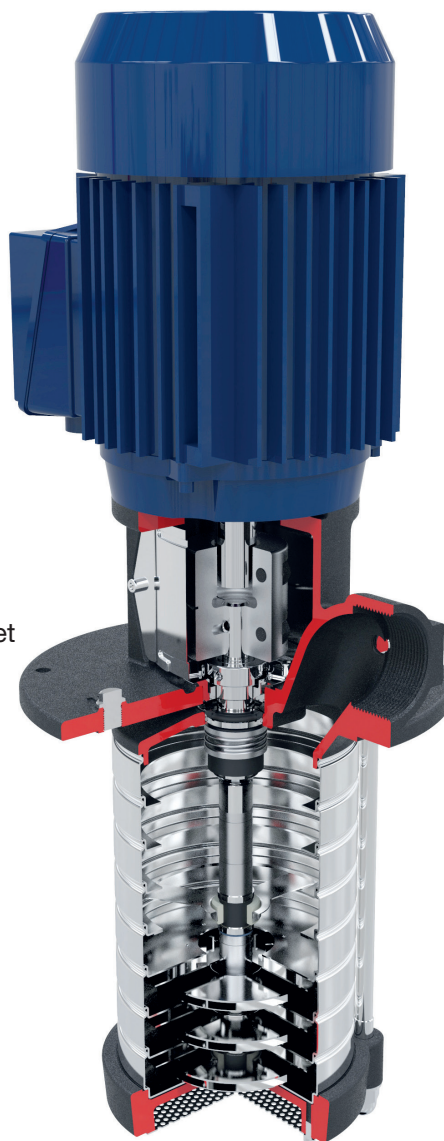
- Equipped with four stainless steel plugs for venting, measuring and monitoring
- Universal connection on reservoir
- Unique reservoir backflow assembly in case of seal leakage

Hydraulic part

- Highest efficiency in the market
- High quality stainless steel AISI 304
- Variable insertion depths regardless of operating point
- Optimal internal flow

Solid construction

- Low vibration- and noise levels



Maintenance-free motor

- Wide range voltages and frequencies
- IP55 (IP56 optional)
- Insulation class F
- IE 2 motors, IE3 optional
- Temperature protection, ≥ 3 kW PTC
- Available with any type of motors (for ≥ 5.5 kW optional thrust bearing housing available)

Shaft

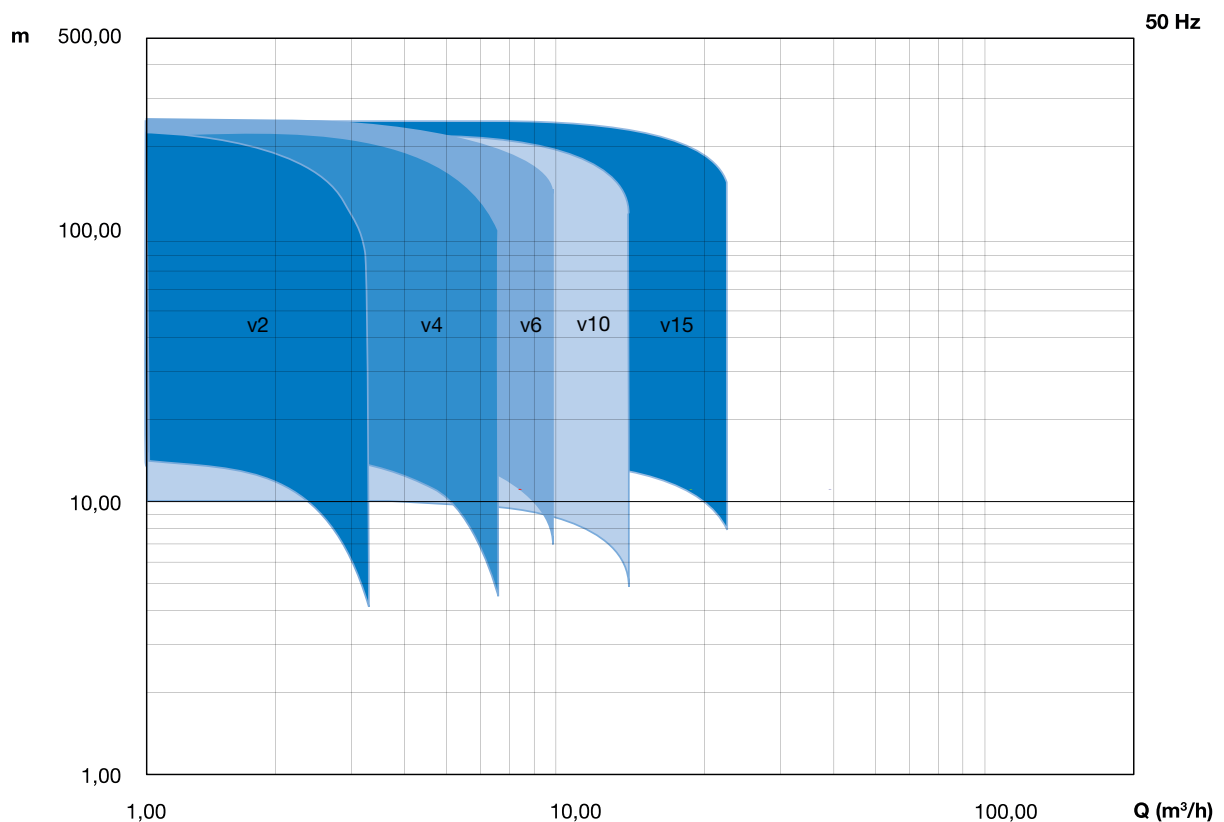
- Wide range of elastomers and sealing materials
- Standard Cartridge construction
- Replaceable without dismantling the pump

Pump inlet

- Robust cast iron with cathodic coating
- Stainless steel strainer

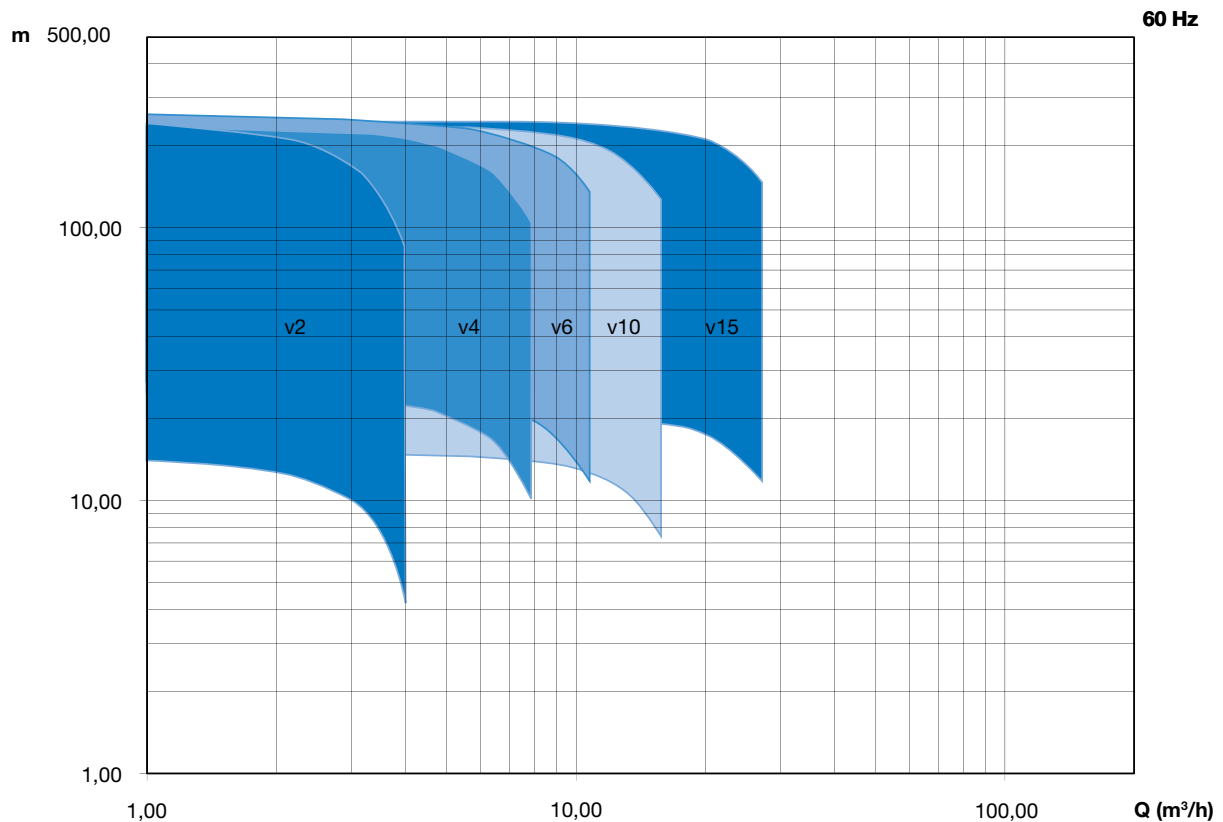
data 50 Hz

Data 50Hz					
Model	DPV 2	DPV 4	DPV 6	DPV 10	DPV 15
Capacity					
Capacity range [m ³ /h]	0.2 - 3.3	0.4 - 6.5	0.6 - 9	1.0 - 13.2	1.8 - 22.5
Nominal capacity at Q _{opt.} [m ³ /h]	1.9	4	6.3	10	18
Pressure					
Norm pressure	PN25				
Maximum pump pressure [m]	229	234	256	239	248
Maximum pressure at Q _{opt.} [m]	187	193	200	179	193
NPSH at Q _{opt.} [m]	1.5	1.2	1.2	1.2	1.2
Hydraulic assembly					
Temperature range medium	-20 up to +120° C				
Maximum efficiency	54%	62%	68%	68%	71%



data 60 Hz

Data 60Hz					
Model	DPV 2	DPV 4	DPV 6	DPV 10	DPV 15
Capacity					
Capacity range [m ³ /h]	0.24 - 4	0.48 - 7.8	0.72 - 10.8	1.3 - 15.8	2.2 - 27
Nominal capacity at Q _{opt.} [m ³ /h]	2.3	4.8	7.6	13.3	21.7
Pressure					
Norm pressure	PN25				
Maximum pump pressure [m]	246	238	255	246	233
Maximum pressure at Q _{opt.} [m]	201	195	199	173	177
NPSH at Q _{opt.} [m]	2.3	1.8	2	2	2.5
Hydraulic assembly					
Temperature range medium	-20 up to +120° C				
Maximum efficiency	54%	64%	68%	68%	71%





dp pumps

dp pumps
P.O. Box 28
2400 AA Alphen aan den Rijn
Holland

t +31 172 488 388
f +31 172 468 967

dp@dp-pumps.com
www.dp-pumps.com

