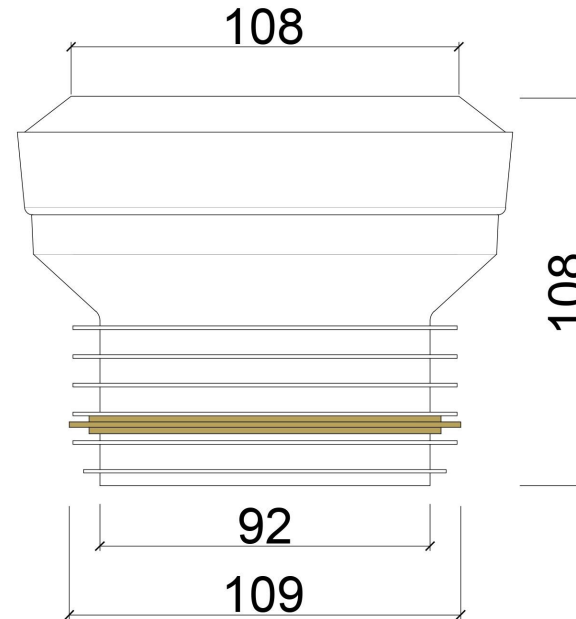
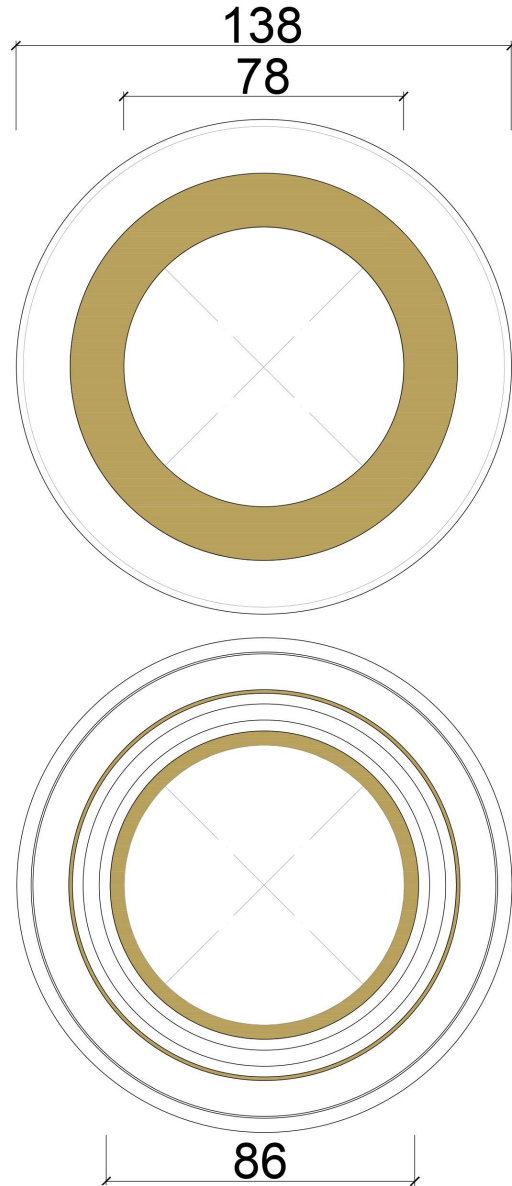


PRODUCT TECHNICAL DATA SHEET



Note:

-DIMENSIONAL PLASTIC TOLERANCE $\pm 2\%$

-DIMENSIONAL RUBBER TOLERANCE $\pm 5\%$

Manufacturer may change product dimensions without prior notice. For confirmation, please refer to Weserhoch Sdn Bhd

<i>Part Name</i>			<i>Rev No.</i>	<i>Date</i>	<i>Weight</i>
P10 CONNECTOR			1	12-8-2013	160g
			<i>Part No.</i>		
P10			1:2	A4	1/2
			<i>Dwg No.</i>		
<i>Designed By</i>	<i>Checked By</i>	<i>Approved By</i>			
YK TAN	YS ONG	TW TEE			