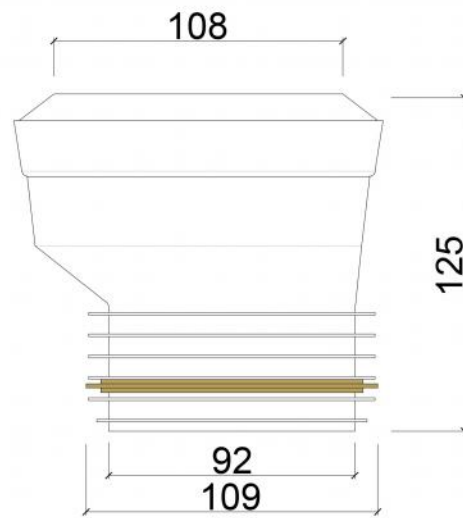
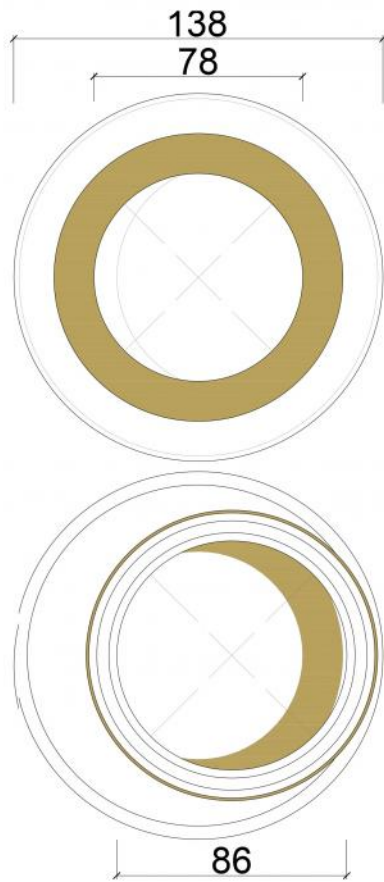


PRODUCT TECHNICAL DATA SHEET



Note:

- DIMENSIONAL PLASTIC TOLERANCE $\pm 2\%$
- DIMENSIONAL RUBBER TOLERANCE $\pm 5\%$

Manufacturer may change product dimensions without prior notice. For confirmation, please refer to Weserhoch Sdn Bhd

<small>Part Name</small>			<small>Rev No.</small>	<small>Date</small>	<small>Weight</small>
P11 CONNECTOR			3	12-8-2013	140g
			<small>Part No. Dwg No.</small>		
P11			1:2	A4	1/2
<small>Designed By</small>	<small>Checked By</small>	<small>Approved By</small>	 Weserhoch Sdn Bhd.		
YK TAN	KK KWANG	TW TEE			