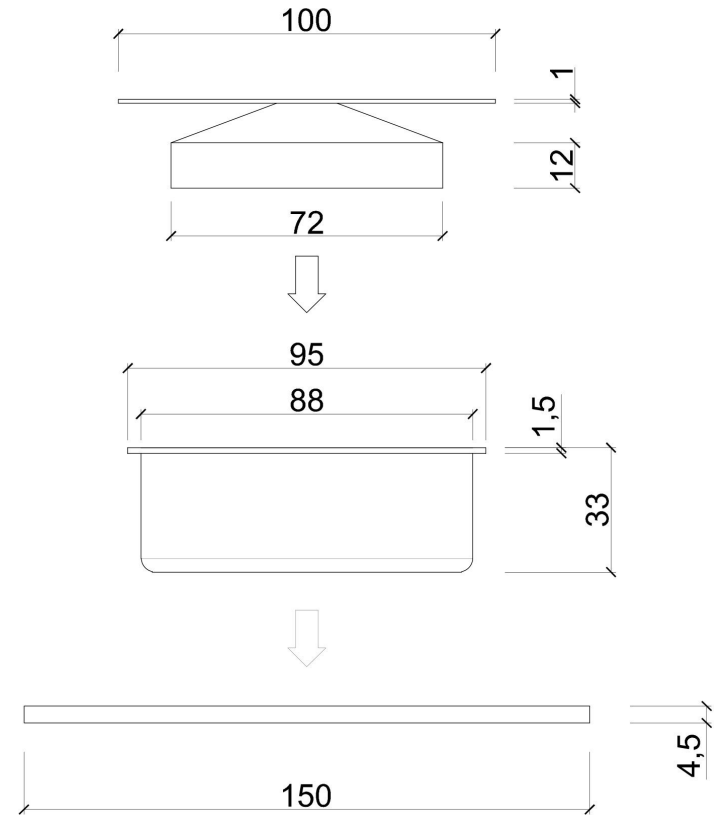
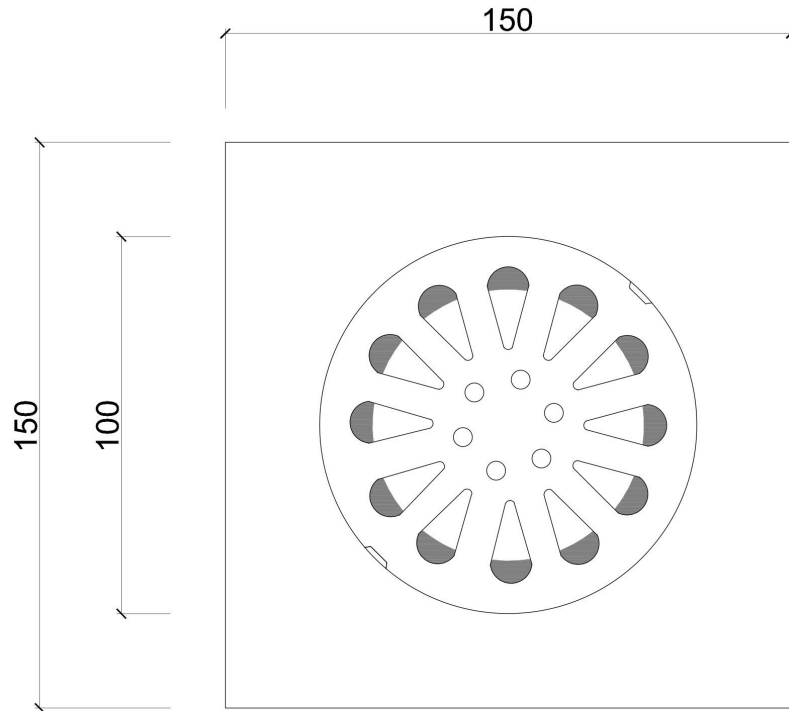



# PRODUCT TECHNICAL DATA SHEET



**Note:**

- ALL DIMENSIONAL TOLERANCE  $\pm 5\%$
- WEIGHT TOLERANCE  $\pm 5\%$

Manufacturer may change product dimensions without prior notice. For confirmation, please refer to Weserhoch Sdn Bhd

Part Name <b>304 STAINLESS STEEL FLOOR TRAP</b>			Rev No.	Date	Weight
			A	15-8-2014	200g
Part No. Dwg No. <b>FT150</b>			Scale No.	Size	Sheet
			1:2	A4	1/2
Designed By	Checked By	Approved By	 Weserhoch Sdn Bhd.		
YK TAN	YS ONG	TC TAI			