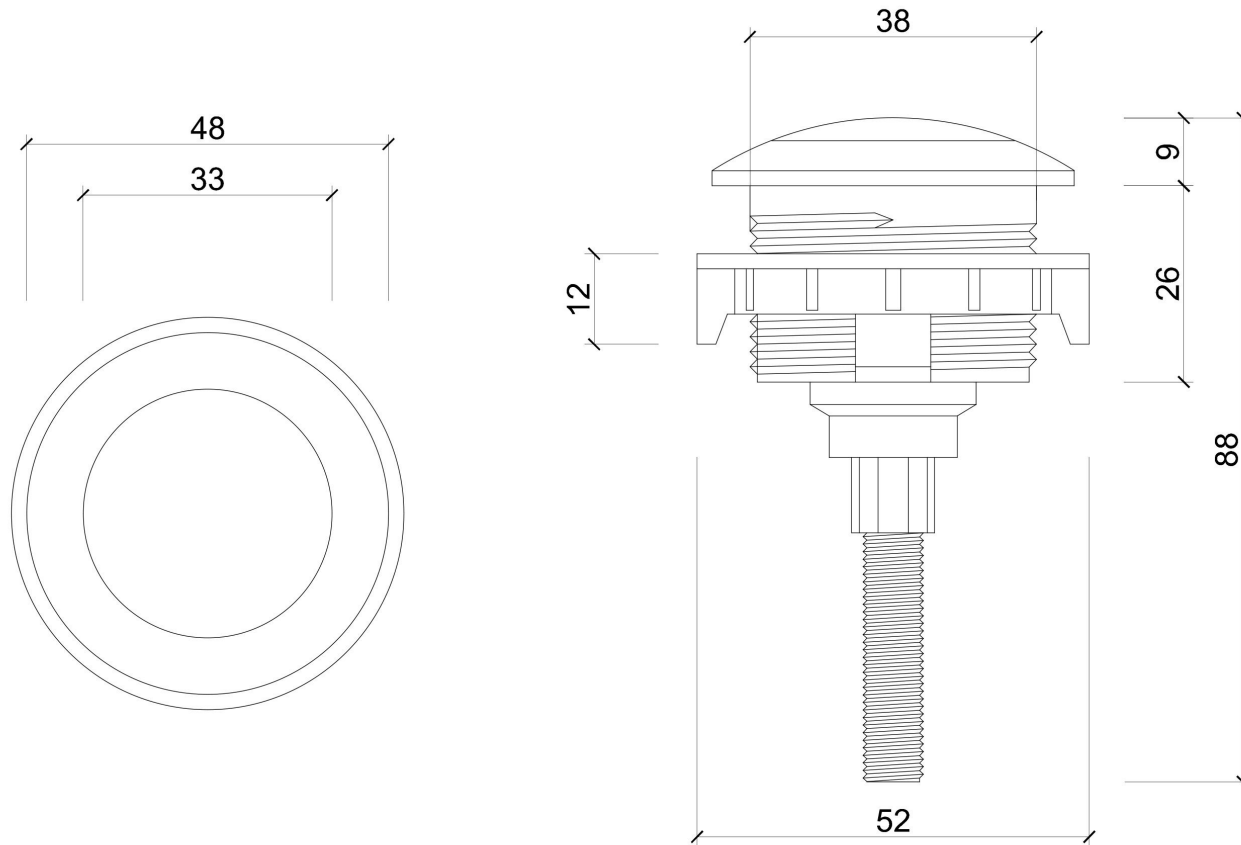



PRODUCT TECHNICAL DATA SHEET



Note:

- ALL DIMENSIONAL TOLERANCE $\pm 5\%$
 - WEIGHT TOLERANCE $\pm 5\%$
- Manufacturer may change product dimensions without prior notice. For confirmation, please refer to Weserhoch Sdn Bhd

Part Name CHROMED PRESS BUTTON			Rev No.	Date	Weight
			A	15-8-2014	40g
Part No. Dwg No. PB100X (38mm)			Scale No.	Size	Sheet
			1:1	A4	1/2
Designed By	Checked By	Approved By	 Weserhoch Sdn Bhd.		
KK KWANG	YS ONG	TW TEE			