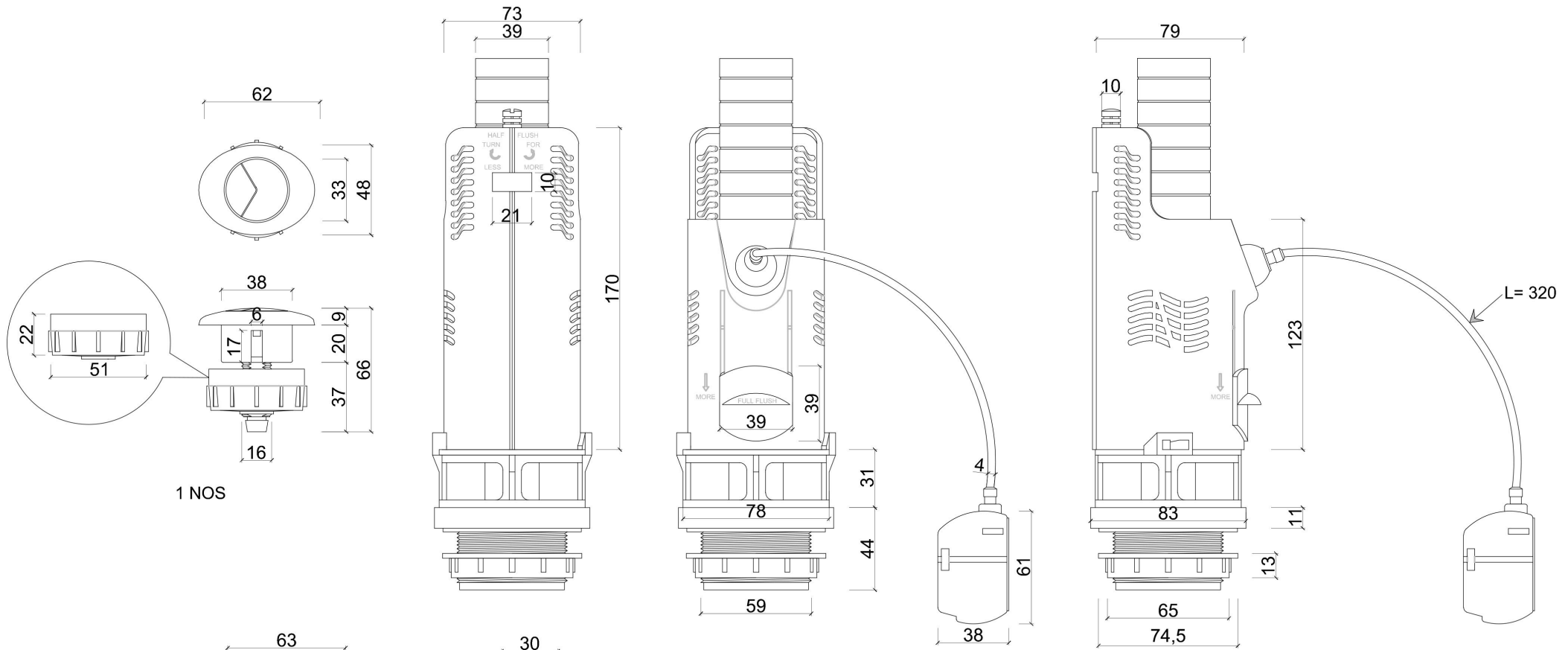


PRODUCT TECHNICAL DATA SHEET



1 NOS

1 NOS


1 NOS

2 NOS

Note:

- ALL DIMENSIONAL TOLERANCE $\pm 5\%$
- WEIGHT TOLERANCE $\pm 5\%$

Manufacturer may change product dimensions without prior notice. For confirmation, please refer to Weserhoch Sdn Bhd

Part Name		Rev No.	Date	Weight
FLUSH VALVE		A	6-1-2014	340g
		Part No. Dwg No.		Scale No.
NP259		1:3	A4	1/2
Designed By	Checked By	Approved By		 Weserhoch Sdn Bhd.
YS ONG	YK TAN	TC TAI		