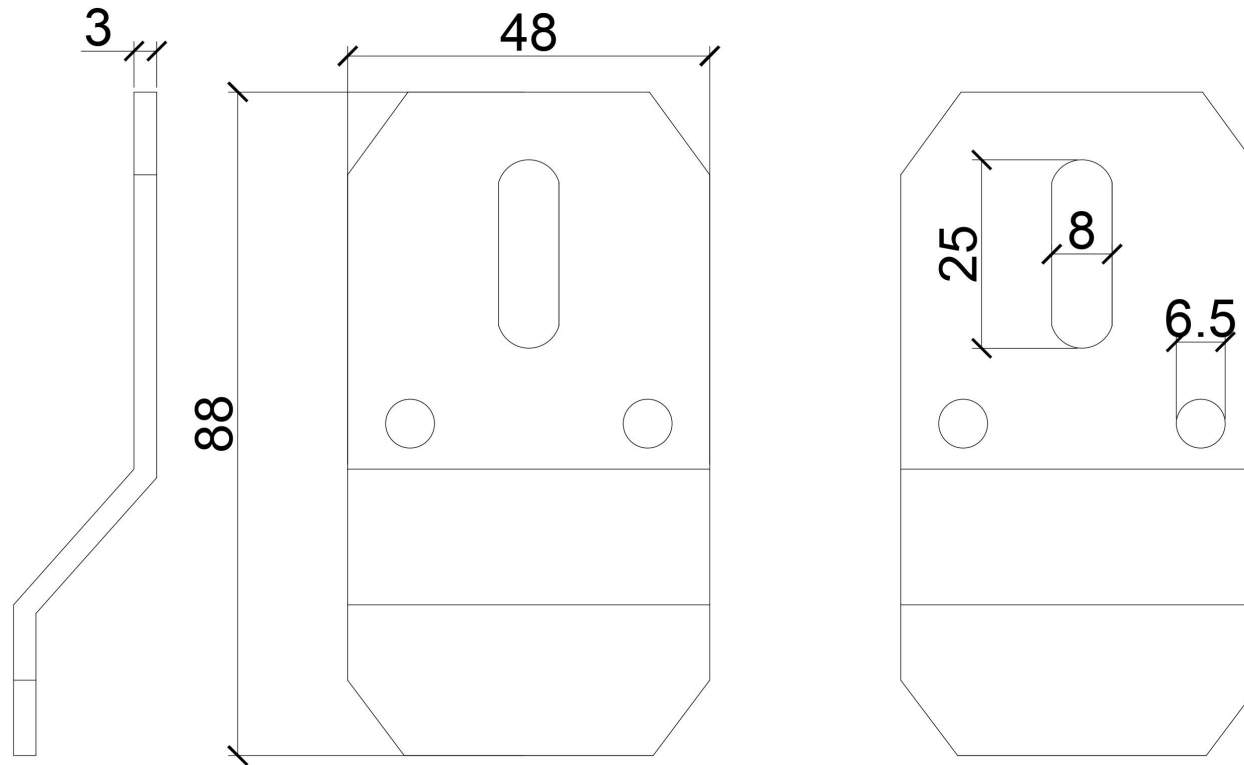



PRODUCT TECHNICAL DATA SHEET



Part Name BASIN BRACKET 20			Rev No.	Date	Weight
			1	12-1-2014	240g
Part No. Dwg No. BB 20			Scale No.	Size	Sheet
			1:1	A4	1/2
Designed By	Checked By	Approved By	 Weserhoch Sdn Bhd.		
YS ONG	KK KWANG	TW TEE			

Note:

- ALL DIMENSIONAL TOLERANCE $\pm 5\%$

Manufacturer may change product dimensions without prior notice. For confirmation, please refer to Weserhoch Sdn Bhd