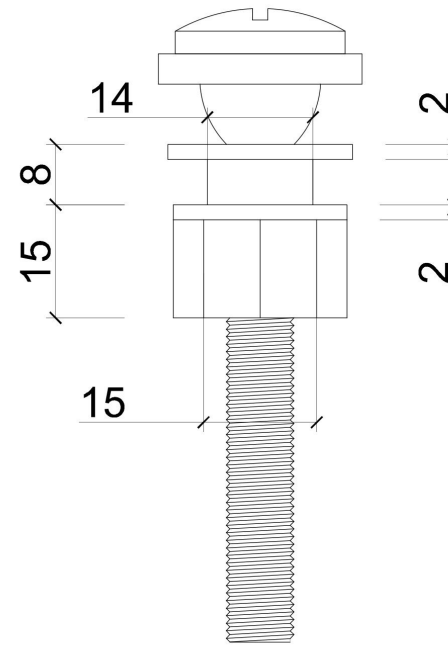
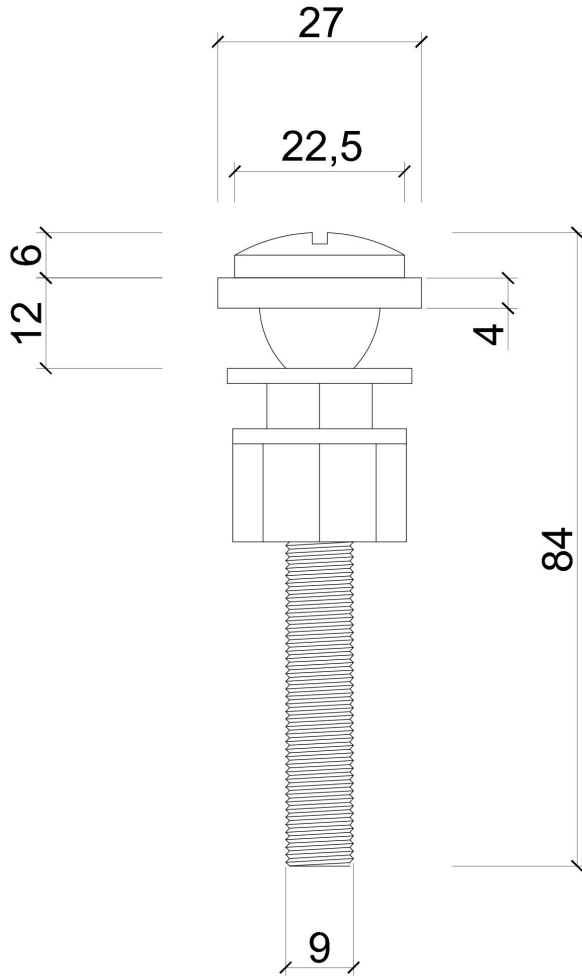



# PRODUCT TECHNICAL DATA SHEET



**Note:**

- ALL DIMENSIONAL TOLERANCE  $\pm 5\%$
- WEIGHT TOLERANCE  $\pm 5\%$

Manufacturer may change product dimensions without prior notice. For confirmation, please refer to Weserhoch Sdn Bhd

Part Name <h2 style="text-align: center;">CC SCREWS</h2>			Rev No.	Date	Weight
			A	8-1-2014	40g
Part No. Dwg No. <h2 style="text-align: center;">MS300</h2>			Scale No.	Size	Sheet
			1:1	A4	1/2
Designed By	Checked By	Approved By	 Weserhoch Sdn Bhd.		
YS ONG	YK TAN	TC TAI			