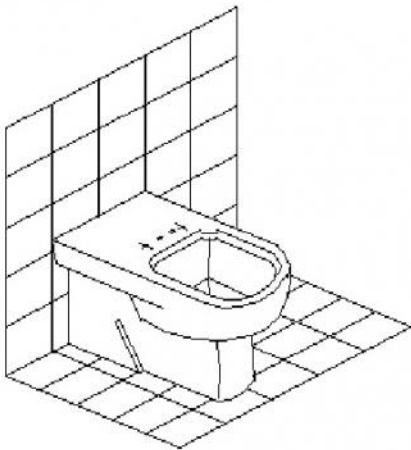
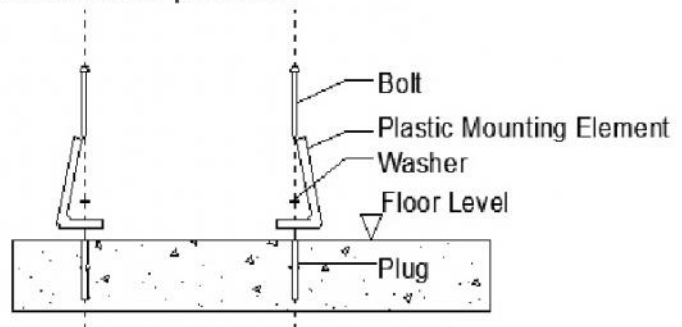


1) The WC is temporarily put in place.
Mark side mounting hole axis on the floor.



2) The WC is removed.
Place Plastic Mounting Element on floor so as to center the hole axes.
Holes are drilled and plug hammered in.
Fix Plastic Mounting Element to the plug using bolt and washer provided.



3) Install WC to Plastic Mounting Element.
Tighten screw and insert cap.

