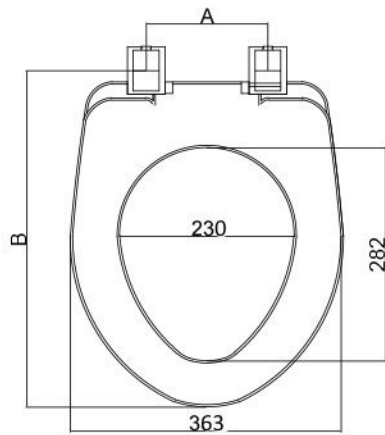


# PRODUCT TECHNICAL DATA SHEET



2P HINGE

	2P HINGE
A	140-180
B	425-455



	Non Soft Close	✓
	Soft Close	
	2 Pieces Hinge	✓
	Flap Hinge	
	U Hinge	
	TM Hinge	
	Bottom Mount Screw	✓
	Top Mount Screw (Nyl 13&15mm)	✓
	Top Mount Screw (Rubber)	✓
	Colour	1

**Note:**

-DIMENSION TOLERANCE  $\pm 2\text{mm}$

-WEIGHT TOLERANCE  $\pm 5\%$

Manufacturer may change product dimensions without prior notice. For confirmation, please refer to Weserhoch Sdn Bhd

<i>Part Name</i>			Rev No.	Date	Weight
TOILET SEAT COVER-SC 5000			7	12-5-2013	780g
<i>Part No. Dwg No.</i>			Scale No.	Size	Sheet
WSC 502X			1:10	A4	1/2
Designed By	Checked By	Approved By	 Weserhoch Sdn Bhd.		
YS ONG	YK TAN	TC TAI			