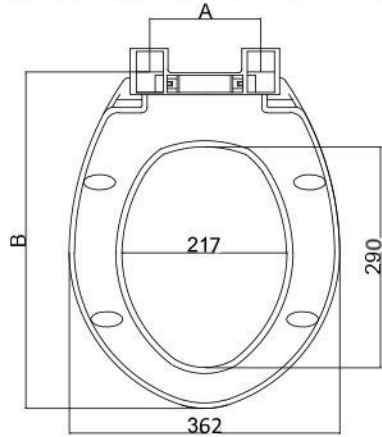
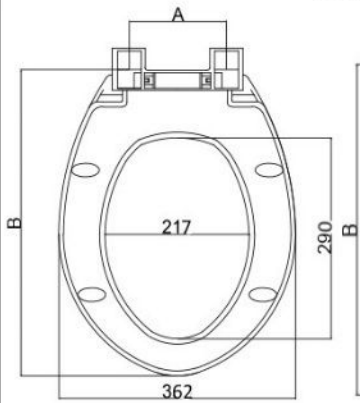


PRODUCT TECHNICAL DATA SHEET

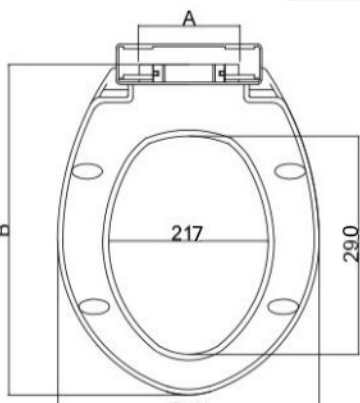
CODE



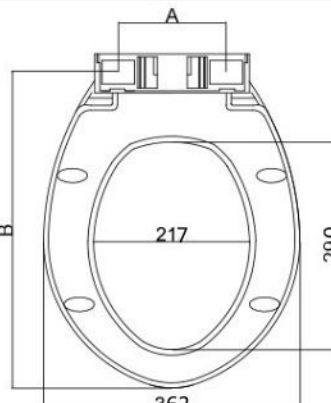
U HINGE



E HINGE



FLAP HINGE XX



SLIDE HINGE

	U HINGE	FLAP HINGE	SLIDE HINGE	E HINGE
A	125-172	125-170	129-180	138-175
B	430-460	440-459	435-448	431-465

Note:

-DIMENSION TOLERANCE $\pm 2\text{mm}$

-WEIGHT TOLERANCE $\pm 5\%$

Manufacturer may change product dimensions without prior notice. For confirmation, please refer to Weserhoch Sdn Bhd

-XX Flap Hinge only use Bottom Mount Screw

	Non Soft Close	0	✓
	Soft Close	5	✓
	NSC Flap Hinge	1	
	2P Hinge	2	
	SUS Hinge	3	
	S Hinge	6	
	Flap Hinge	7	✓
	U Hinge	8	✓
	Slide Hinge	9	✓
	E Hinge	E	✓
	Bottom Mount Screw	0	✓
	Top Mount Screw -Nyl 13 mm	3	✓
	Top Mount Screw -Nyl 15 mm	5	
	Top Mount Screw -With Rubber Plug	9	✓
	Top Mount Screw -Full Stainless Steel	8	

Part Name

TOILET SEAT COVER-SC 8000

Part No.
Dwg No.

WSC 8XXX

Rev No. Date Weight

13 17-12-2018 1610g

Scale No. Size Sheet

1:10 A4 1/2

Designed By

KISHA

Checked By

MANOJ

Approved By

TC TAI

Weser[®]
Weserhoch Sdn Bhd.