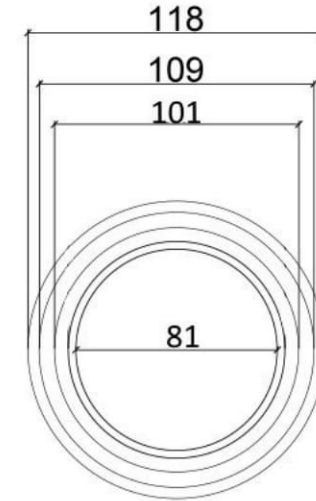
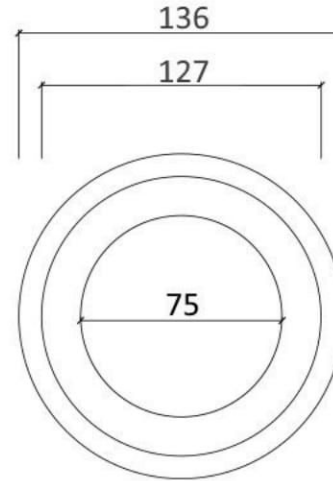
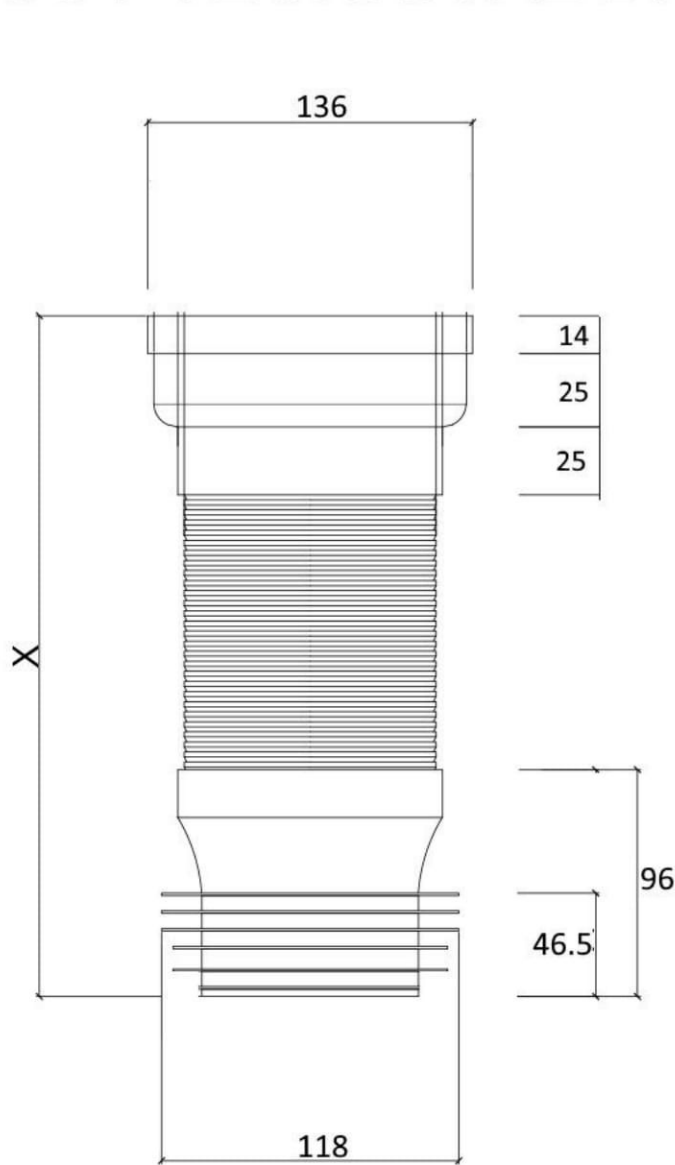



PRODUCT TECHNICAL DATA SHEET



	Maximum	Minimum
X	545mm	245mm

Note:

-DIMENSIONAL PLASTIC TOLERANCE $\pm 2\%$
 -DIMENSIONAL RUBBER TOLERANCE $\pm 5\%$
 Manufacturer may change product dimensions without prior notice. For confirmation, please refer to Weserhoch Sdn Bhd

<i>Part Name</i>		<i>Rev No.</i>	<i>Date</i>	<i>Weight</i>
FLEXIBLE CONNECTOR		A	21.02.2018	460g
		<i>Part No. Dwg No.</i>		
P68		<i>Scale No.</i>	<i>Size</i>	<i>Sheet</i>
		1:3	A4	1/2
<i>Designed By</i>	<i>Checked By</i>	<i>Approved By</i>		
KK KWANG	YK TAN	TC TAI		
		 Weserhoch Sdn Bhd.		