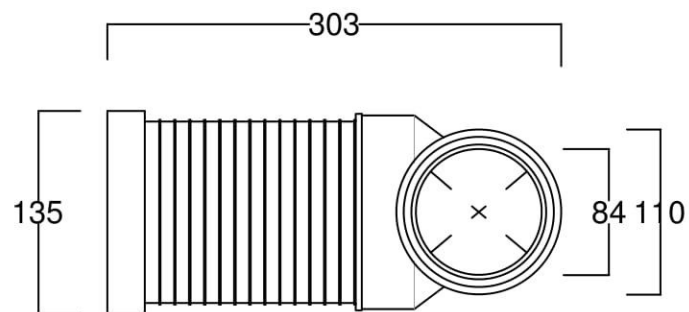
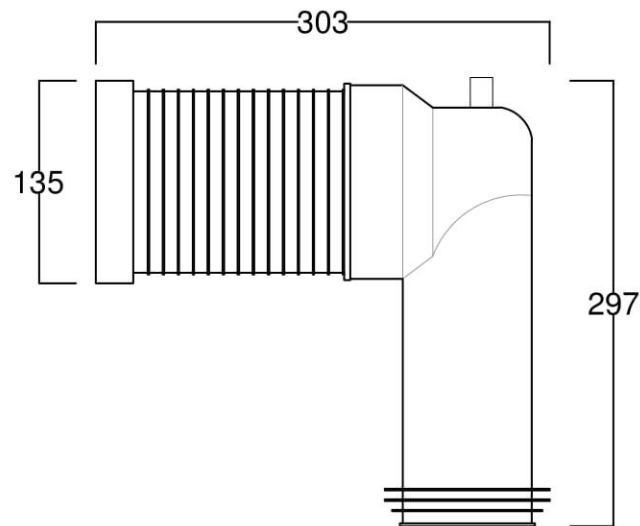
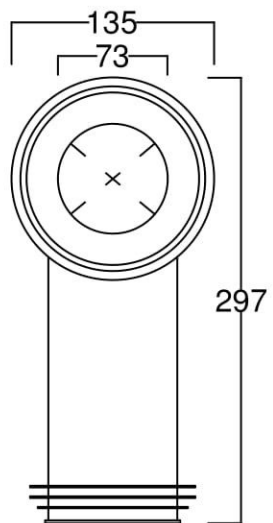


# PRODUCT TECHNICAL DATA SHEET



**Note:**

-DIMENSIONAL TO TOLERANCE ±2mm  
WEIGHT TOLERANCE ±5%

Manufacturer may change product dimensions without prior notice. For confirmation, please refer to Weserhoch Sdn Bhd

<i>Part Name</i>		Rev No.	Date	Weight
P500 CONNECTOR		9	13-4-2016	577g
<i>Part No.</i> <i>Dwg. No.</i>		Scale No.	Size	Sheet
P500		1:5	A4	1/2
Designed By	Checked By	Approved By		
CY YEE	IRIS TAY	TC TAI		
			