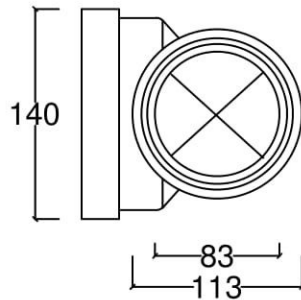
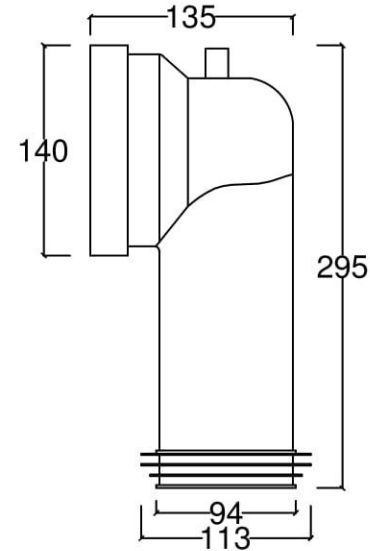
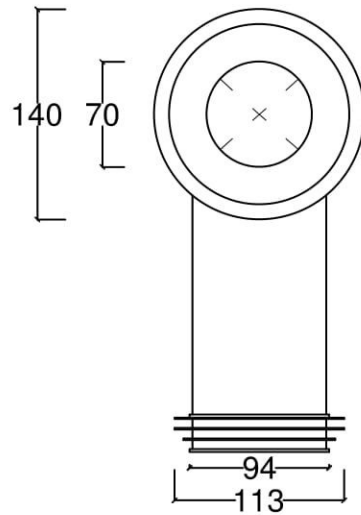


PRODUCT TECHNICAL DATA SHEET



Note:

-DIMENSIONAL TO TOLERANCE $\pm 2\text{mm}$
WEIGHT TOLERANCE $\pm 5\%$

Manufacturer may change product dimensions without prior notice. For confirmation, please refer to Weserhoch Sdn Bhd

<i>Part Name</i>			Rev No.	Date	Weight
P50 CONNECTOR			6	12-4-2016	380g
<i>Part No.</i> <i>Dwg. No.</i>			Scale No.	Size	Sheet
P50			1:5	A4	1/2
Designed By	Checked By	Approved By			
CY YEE	IRIS TAY	TC TAI			