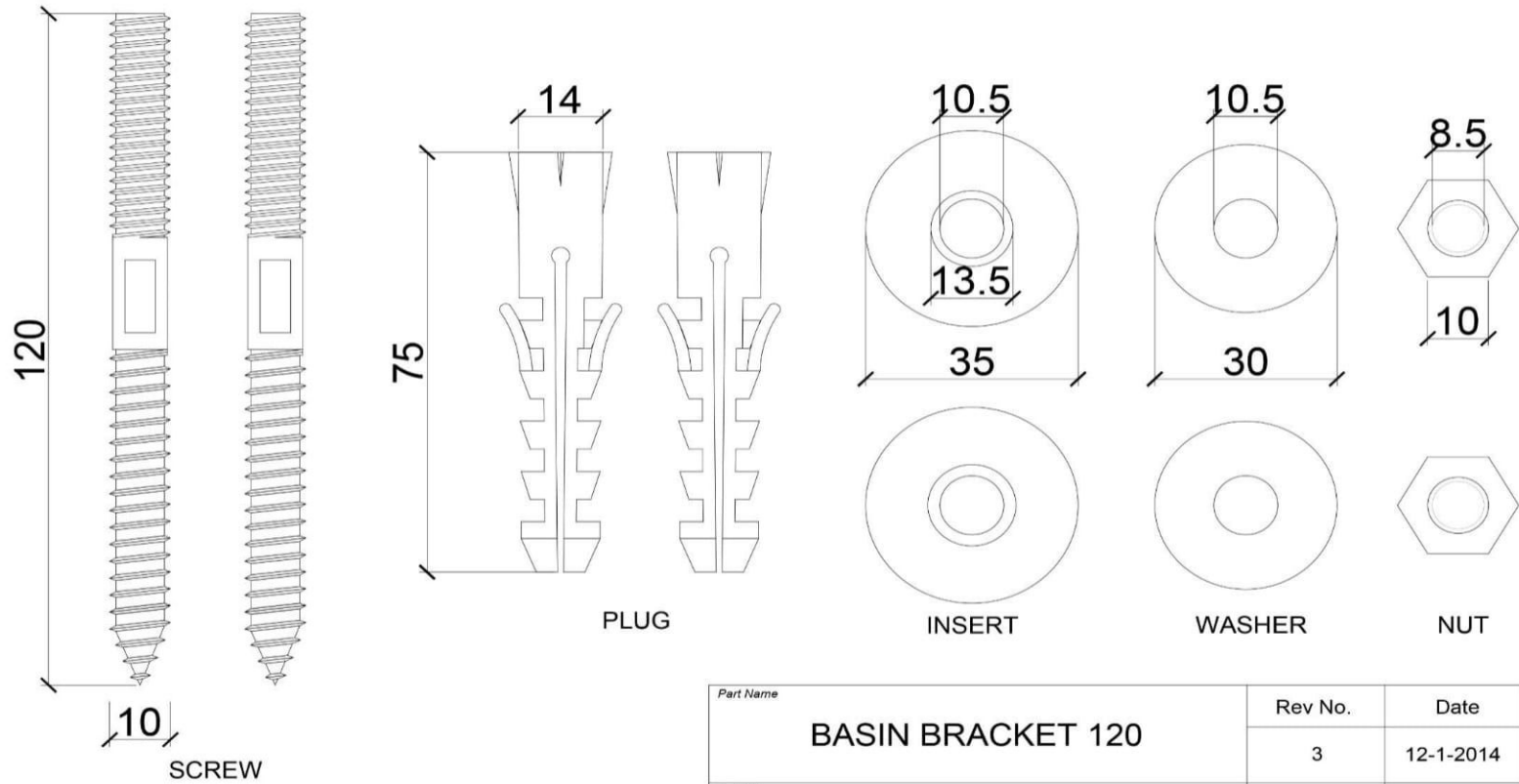


# PRODUCT TECHNICAL DATA SHEET



Material : Mild steel with zinc plating finishing

**Note:**

- ALL DIMENSIONAL TOLERANCE  $\pm 5\%$   
 Manufacturer may change product dimensions without prior notice. For confirmation, please refer to Weserhoch Sdn Bhd

<i>Part Name</i>		Rev No.	Date	Weight
BASIN BRACKET 120		3	12-1-2014	150g
<i>Part No. Dwg No.</i>		Scale No.	Size	Sheet
BB120		1:1	A4	1/2
Designed By	Checked By	Approved By		 Weserhoch Sdn Bhd.
KK KWANG	YK TAN	TW TEE		