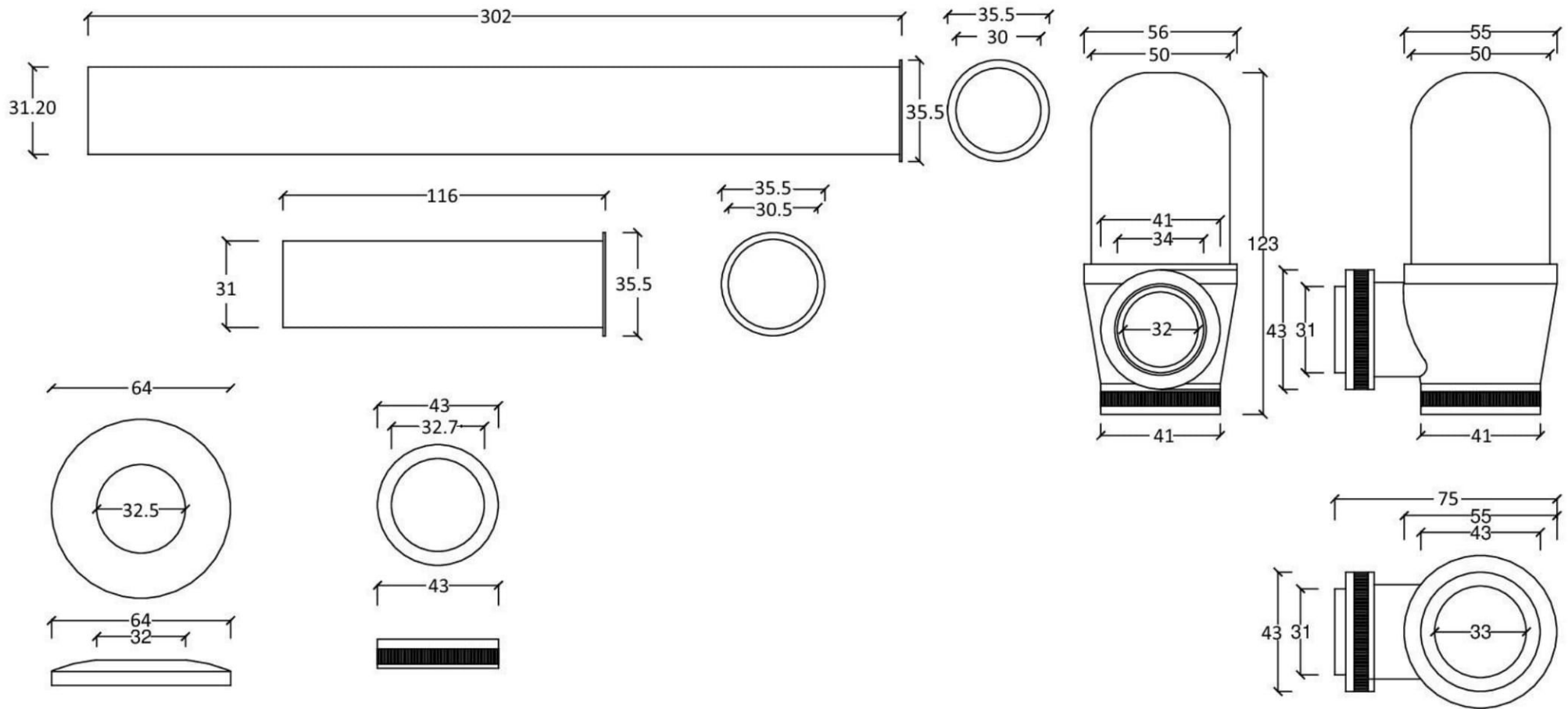


PRODUCT TECHNICAL DATA SHEET



Note:

-DIMENSIONAL TO TOLERANCE ±2mm
WEIGHT TOLERANCE ±5%

Manufacturer may change product dimensions without prior notice. For confirmation, please refer to Weserhoch Sdn Bhd

<i>Part Name</i>	1.2" ZINC ALLOY BASIN BOTTLE TRAP		
	Rev No.	Date	Weight
<i>Part No. Drawn No.</i>	BT32Z		
	Scale No.	Size	Sheet
Designed By	Checked By	Approved By	Weser Weserhoch Sdn Bhd.
KISHA	TUHIN	TC TAI	