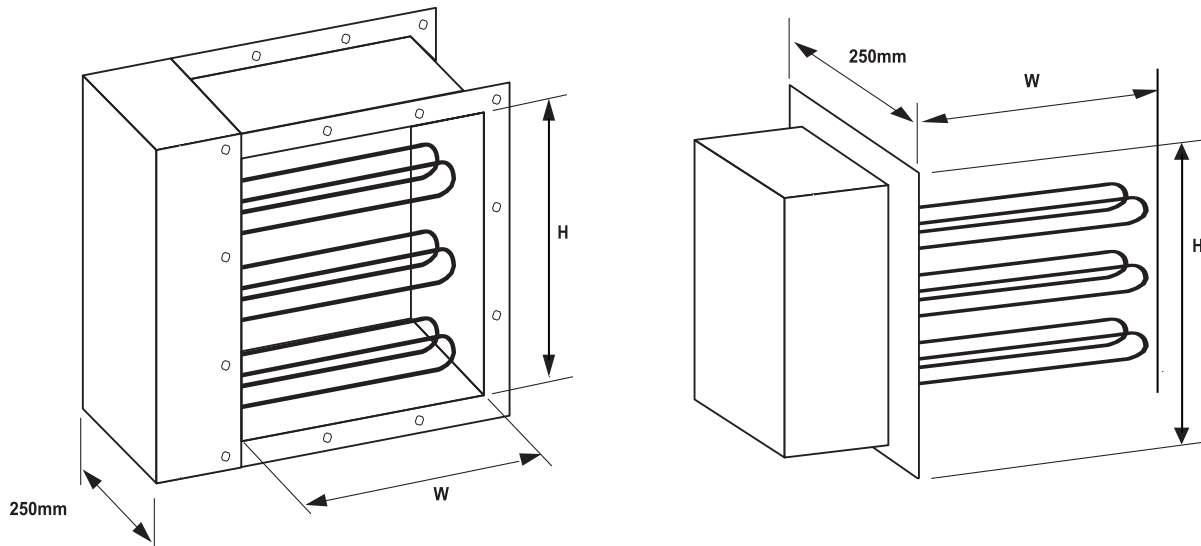


Duct Heater (Flanged Type and Insert Type)



Overview

Electric duct heaters are stand-alone heating units which are designed for installation within air handling systems. Electric duct heaters work by heating up the passing air. We design and configure your electric duct heaters according to your specifications. The two available basic heater frame constructions (Figures 1 and 2) are Flange type and Insert type

Key Features:

- 1.5mmT galvanized steel
- SS304 Finned Heater, 80/20 NiCr Wire
- Single/3 Phase design
- High Limit cut off thermostat
- Air flow switch
- Silicon Controller Rectifier, 4-20mA Signal for external control signal interface
- Terminal box with cable glands
- Magnetic contactors
- Special sizes, wattages, and materials available upon request

Calculating Power Requirement

The power requirement can be calculated as follows: $kW = \frac{SCFM \times \text{Change in } T}{3000}$