



FI6000 is a phase evacuation controller which can be integrated with various Amperes equipment such as zone decoder and voice message player for interfacing with Fire Alarm System.

As part of requirement of EN54, it is necessary that voice alarm to be broadcasted according to zone(s) for orderly evacuation or warning purposes. FI6000 performs the task required by triggering appropriate announcement and intended broadcast zones.

FI6000 can be configured via configurator software and is flexible in its setup.

### Features

- Integration with Amperes products via RS485 interface and Fire Alarm System via dry contacts
- Available in 24 zone per panel and scalable to cater for larger number of zones
- Easily programmable for phased evacuation announcement
- Provided with FI6000 Configurator software for easier setup
- Bicolour LED status indication for each incoming sensors

### Technical Specifications

#### Input :

Operating voltage	24V DC
Current source idle	20mA
Current source channel and relay trigger	0.10A
Power consumption idle	0.48W
USB input	USB to RS485 Driver
Communication control	RS485
Baud rate	19200 bps
Unit cascade control	Software Control
Channel input	24 Channel
Software configuration	FI6000 Configurator

#### Output :

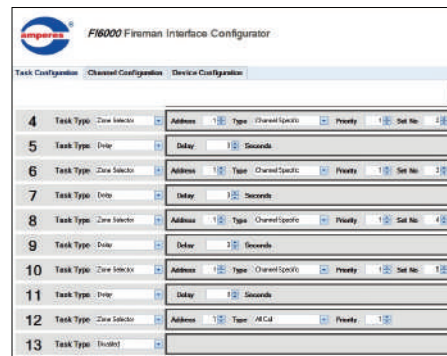
Channel output	4 Channel
Contact rating	3A
LED indicator	28 LEDs

#### Case :

Dimension	482 x 44 x 180 mm
Weight	1.85 kg

#### Packing information

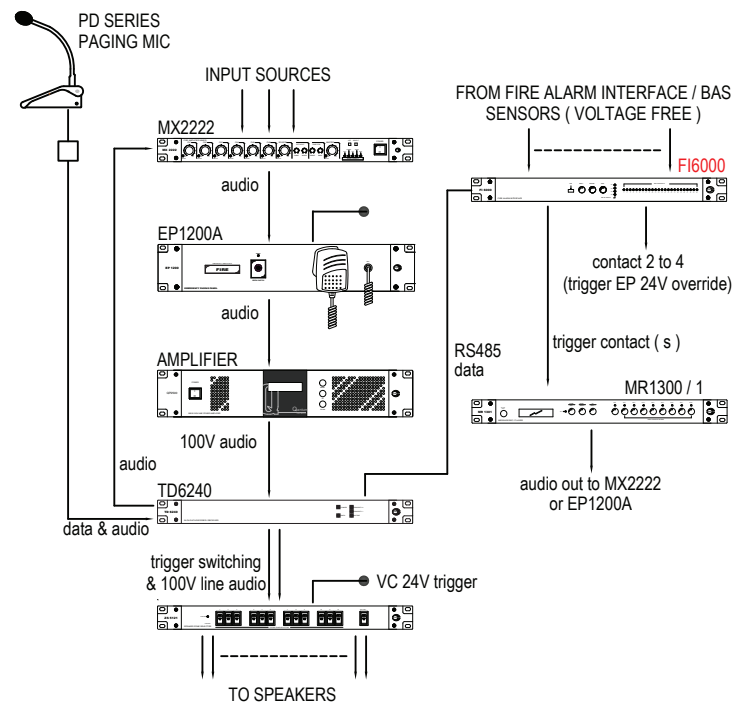
Qty per carton	: 1 unit
W x H x D	: 552 x 93 x 294 mm
Weight	: 2.5 kg



Configurator interface enables a sequence of events for any triggered alarm from FA Panel.



### Application Schematic



Rear View:

