



The Series Surge Protection Device (SSPD) for DC power lines with communication signals is designed, fabricated and tested according to the stringent international standards.

The product, connected in series with the protected loads, can effectively suppress and discharge any over-voltage or over-current caused by inrush surges, spikes or electrical noises by maintaining the potential difference between the power lines with respective to earth. It automatically returns to its normal state after a lightning strike.

- Provides DC bus bar lines surge protection against transient voltage at the intersection of LPZ2 and LPZ3 as defined in GB50343 lightning protection zones.
- Core components are selected based on high reliability, multi-level protection and depressed residual.
- Low capacitance design, excellent transmission performance, fast response time and long life expectancy.
- Extremely low residual voltage design, fast respond and large current capability.
- Suitable for telecommunication rooms, DC bus, DC bulbar microwave communications room, substation bus, control bus, and all electrical equipment in which surge protection for DC power lines is essential.
- Customization to other operating voltages is also available.

Technical Specifications

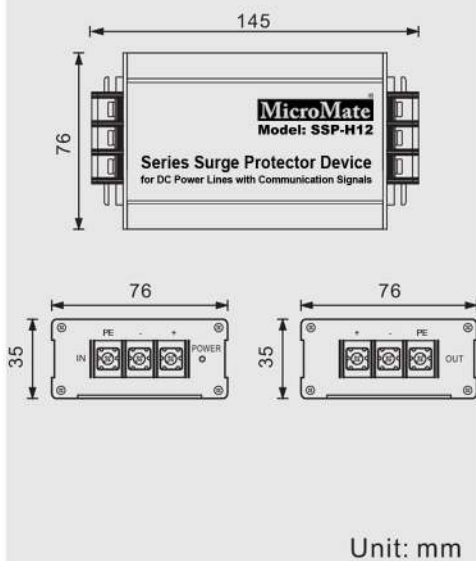
MODEL	SSP-H12
Operating Voltage (Un)	12V
Nominal Discharge Current (8/20µs) (In)	5KA
Max. Discharge Current (8/20µs) (Imax.)	10KA
Voltage Protection Level (Up)	≤ 49V
Load Capacity	10A
Response Time	≤ 25ns
Filtering Function	Yes
Leakage Current	≤ 20uA
Protection Mode	Differential Mode, Common Mode Full Protection; Line-to-Line, Line-to-Earth
Working Environment	Temperature -40°C + 70°C; Relative Humidity < 90%
Connection Cable Size	Input / Output ≥ 1.5mm ² ; Ground ≥ 2.5mm ²
Material of Shell	Aluminum Alloy
Dimensions (W x H x D)	145 x 76 x 35 mm ³
Weight	0.31KG

Note: Due to the policy of continued product improvement, specifications are subject to change without notice.

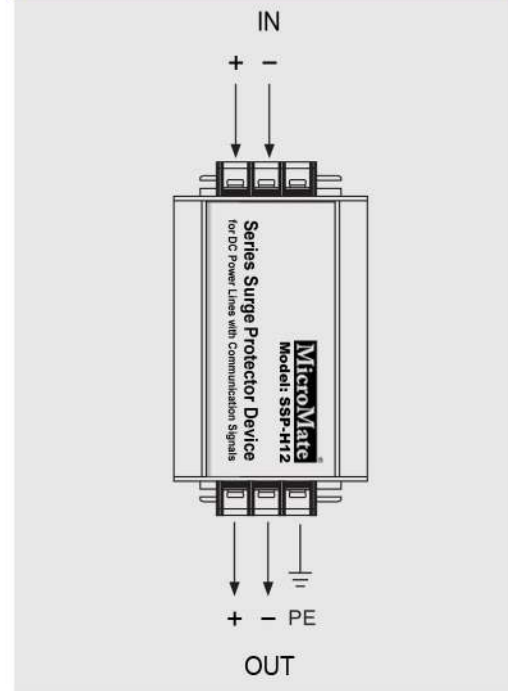
Product Installation

1. The unit is suitable for most DC power distribution series. It is installed and connected in series with the DC loads. Ensure that the incoming power source is isolated before doing any electrical connections.
2. With reference to the Installation Diagram, connect Positive (+), Negative (-) and Earth (PE) in accordance with the markings on the terminals. Ensure that the connections are correct.
3. All electrical wires should be tightened with correct torque and the recommended sizes are as follows,
SPD cable: BVR \geq 1.5~4mm
Grounding cable: BVR \geq 2.5~4mm
4. The grounding wire should be as short as possible and the grounding resistance should be less than 4 Ω in order to meet the lightning protection requirement.

Dimensions



Installation Diagram





The Series Surge Protection Device (SSPD) for DC power lines with communication signals is designed, fabricated and tested according to the stringent international standards.

The product, connected in series with the protected loads, can effectively suppress and discharge any over-voltage or over-current caused by inrush surges, spikes or electrical noises by maintaining the potential difference between the power lines with respective to earth. It automatically returns to its normal state after a lightning strike.

- Provides DC bus bar lines surge protection against transient voltage at the intersection of LPZ2 and LPZ3 as defined in GB50343 lightning protection zones.
- Core components are selected based on high reliability, multi-level protection and depressed residual.
- Low capacitance design, excellent transmission performance, fast response time and long life expectancy.
- Extremely low residual voltage design, fast respond and large current capability.
- Suitable for telecommunication rooms, DC bus, DC bulbar microwave communications room, substation bus, control bus, and all electrical equipment in which surge protection for DC power lines is essential.
- Customization to other operating voltages is also available.

Technical Specifications

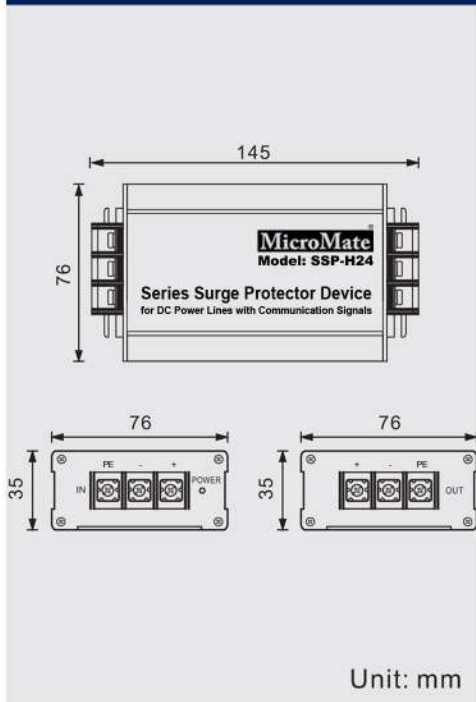
MODEL	SSP-H24
Operating Voltage (Un)	24V
Nominal Discharge Current (8/20μs) (In)	5KA
Max. Discharge Current (8/20μs) (Imax.)	10KA
Voltage Protection Level (Up)	≤ 56V
Load Capacity	15A
Response Time	≤ 25ns
Filtering Function	Yes
Leakage Current	≤ 20uA
Protection Mode	Differential Mode, Common Mode Full Protection; Line-to-Line, Line-to-Earth
Working Environment	Temperature -40°C + 70°C; Relative Humidity < 90%
Connection Cable Size	Input / Output ≥ 1.5mm ² ; Ground ≥ 2.5mm ²
Material of Shell	Aluminum Alloy
Dimensions (W x H x D)	145 x 76 x 35 mm ³
Weight	0.32KG

Note: Due to the policy of continued product improvement, specifications are subject to change without notice.

Product Installation

1. The unit is suitable for most DC power distribution series. It is installed and connected in series with the DC loads. Ensure that the incoming power source is isolated before doing any electrical connections.
2. With reference to the Installation Diagram, connect Positive (+), Negative (-) and Earth (PE) in accordance with the markings on the terminals. Ensure that the connections are correct.
3. All electrical wires should be tightened with correct torque and the recommended sizes are as follows,
SPD cable: BVR \geq 1.5~4mm
Grounding cable: BVR \geq 2.5~4mm
4. The grounding wire should be as short as possible and the grounding resistance should be less than 4 Ω in order to meet the lightning protection requirement.

Dimensions



Installation Diagram

