



FD8382-TV/ETV



FD8382-VF2/EVF2

Fixed Dome Network Camera



5MP · 30M IR · WDR Enhanced · 3DNR · P-iris · Remote Focus · IP66 · IK10 · Smart Stream · Smart IR · Video Rotation · Extreme Weather · Defog

VIVOTEK's FD8382 is a series of economical but professional outdoor fixed dome network cameras. They join the ranks of VIVOTEK's 5MP Lite series which offer up to 15 fps at 5-Megapixel or 30 fps at 1080p resolution at a competitive price. To create the perfect focus required to reap the benefits of higher resolutions, VIVOTEK's FD8382 series provides the options of both fixed focus, used for simple operation without additional power, and remote focus with built-in stepping motors and P-iris for precise adjustment remotely.

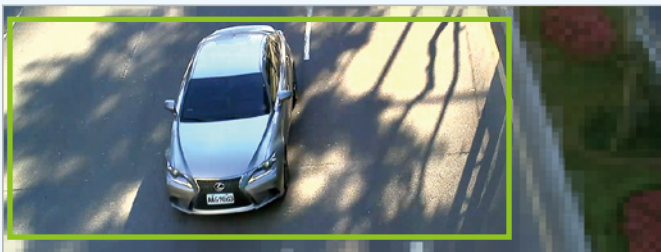
Designed to provide higher resolution, the FD8382 series is an ideal solution for those who demand sharper images with more details. With powerful 3D Noise Reduction technology and Smart Stream technology, the FD8382 series can also optimize resolution for a desired object or area to maximize the efficiency of bandwidth usage.

To ensure higher resolution even in outdoor and harsh environments, VIVOTEK's FD8382 series is also armed with IP66-rated housing to help the camera body withstand rain, dust and even high pressure water jets from any direction, while its IK10-rated housing provides protection against acts of vandalism or other impacts. Additionally, a wide operating temperature range further improves the FD8382-EVF2 and the FD8382-ETV's performance and reliability in extremely cold or warm weather, even when using PoE.

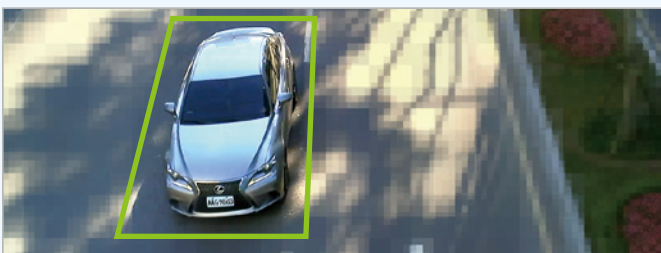
With the highly flexible VADP (VIVOTEK Application Development Platform), users can extend the features of this series by adding third-party applications for the FD8382-VF2, FD8382-EVF2, FD8382-TV, and FD8382-ETV. Thus, the FD8382 series is not only equipped with multiple focusing methods and wide temperature range options, but is also highly flexible and able to be expanded to meet a wide range of requirements.

Key Features

- 5-Megapixel CMOS Sensor
- 15 fps @ 2560x1920
- 3 ~ 9 mm, Vari-focal, Remote Focus, P-iris Lens (FD8382-TV/ETV)
- Built-in IR Illuminators, Effective up to 30 Meters
- WDR Enhanced for Unparalleled Visibility in Bright and Dark Environments
- Smart Stream to Optimize Bandwidth Efficiency
- 3D Noise Reduction
- Two-way Audio
- Video Rotation for Corridor View
- Weather-proof IP66-rated and Vandal-proof IK10-rated Housing
- Support Installation with AM-713 Outdoor Conduit Box
- Extreme Weather Support with PoE (FD8382-EVF2/ETV)
- VIVOTEK VCA (Video Content Analysis) Support



Smart Stream - Manual Mode



Smart Stream - Auto Mode



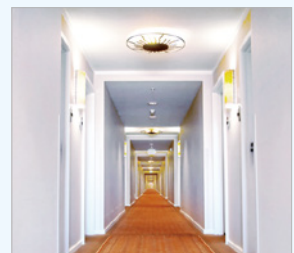
Low Light



Parking Lot



Train Station



Hotel

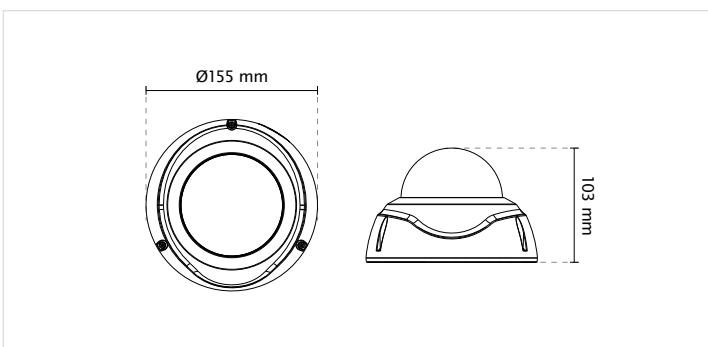
Technical Specifications

Model	FD8382-TV: Vari-focal, P-iris, Remote Focus FD8382-ETV: Vari-focal, P-iris, Remote Focus, Extreme Weather FD8382-VF2: Fixed-focal FD8382-EVF2: Fixed-focal, Extreme Weather
System Information	
CPU	Multimedia SoC (System-on-Chip)
Flash	1Gb
RAM	4Gb
Camera Features	
Image Sensor	1/3.2" Progressive CMOS
Maximum Resolution	2560x1920 (5MP)
Lens Type	FD8382-TV/FD8382-ETV: Vari-focal FD8382-VF2/FD8382-EVF2: Fixed-focal
Focal Length	FD8382-TV/FD8382-ETV: f = 3 ~ 9 mm FD8382-VF2/FD8382-EVF2: f = 2.8 mm
Aperture	FD8382-TV/FD8382-ETV: F1.2 ~ F2.3 FD8382-VF2/FD8382-EVF2: F1.8
Auto-iris	P-iris (FD8382-TV/FD8382-ETV)
Field of View	FD8382-TV/FD8382-ETV: 35° ~ 78° (Horizontal) 27° ~ 54° (Vertical) 44° ~ 101° (Diagonal) FD8382-VF2/FD8382-EVF2: 90° (Horizontal) 67° (Vertical) 118° (Diagonal)
Shutter Time	1/5 sec. to 1/32,000 sec.
WDR Technology	WDR Enhanced
Day/Night	Removable IR-cut filter for day & night function
Minimum Illumination	FD8382-TV/FD8382-ETV: 0.04 Lux @ F1.2 (Color) 0.001 Lux @ F1.2 (B/W) FD8382-VF2/FD8382-EVF2: 0.39 Lux @ F1.8 (Color) 0.001 Lux @ F1.8 (B/W)
Pan/tilt/zoom Functionalities	ePTZ: 48x digital zoom (4x on IE plug-in, 12x built in)
IR Illuminators	Built-in IR illuminators, effective up to 30 meters with Smart IR IR LED*8
On-board Storage	Slot type: Micro SD/SDHC/SDXC card slot Seamless Recording
Video	
Compression	H.264 & MJPEG
Maximum Frame Rate	15 fps @ 2560x1920 15 fps @ 2408x1536 30 fps @ 1920x1080 In both compression modes
Maximum Streams	4 simultaneous streams
S/N Ratio	67 dB
Dynamic Range	70 dB
Video Streaming	Adjustable resolution, quality and bitrate; Smart Stream
Image Settings	Adjustable image size, quality and bit rate, Time stamp, text overlay, flip & mirror, Configurable brightness, contrast, saturation, sharpness, white balance, exposure control, gain, backlight compensation, privacy masks, Scheduled profile settings, 3D noise reduction, video rotation, defog
Audio	
Audio Capability	Two-way Audio (full duplex)
Compression	G.711, G.726
Interface	External microphone input External line output
Network	
Users	Live viewing for up to 10 clients
Protocols	IPv4, IPv6, TCP/IP, HTTP, HTTPS, UPnP, RTSP/RTP/RTCP, IGMP, SMTP, FTP, DHCP, NTP, DNS, DDNS, PPPoE, CoS, QoS, SNMP, 802.1X, UDP, ICMP, ARP, SSL, TLS
Interface	10 Base-T/100 BaseTX Ethernet (RJ-45) *It is highly recommended to use standard CAT5e & CAT6 cables which are compliant with the 3P/ETL standard.
ONVIF	Supported, specification available at www.onvif.org
Intelligent Video	

* Available per project request

Video Motion Detection	Five-window video motion detection
VCA*	Line crossing detection, field detection, loitering detection
Alarm and Event	
Alarm Triggers	Video motion detection, manual trigger, digital input, periodical trigger, system boot, recording notification, camera tampering detection, audio detection
Alarm Events	Event notification using digital output, HTTP, SMTP, FTP and NAS server, SD Card File upload via HTTP, SMTP, FTP, NAS server and SD card
General	
Smart Focus System	FD8382-TV/FD8382-ETV: Remote Focus
Connectors	RJ-45 cable connector for Network/PoE connection Audio input Audio output DC 12V power input Digital input*1 Digital output*1
LED Indicator	System power and status indicator
Power Input	DC 12V FD8382-TV/VF2: IEEE 802.3af/at PoE Class 0 FD8382-ETV/EVF2: IEEE 802.3at PoE Class 4
Power Consumption	FD8382-TV: Max. 9.5 W FD8382-ETV: Max. 25 W (Heater on) FD8382-VF2: Max. 9 W FD8382-EVF2: Max. 25 W (Heater on)
Dimensions	Ø 155 x 103 mm
Weight	920 g
Casing	Weather-proof IP66-rated housing Vandal-proof IK10-rated metal housing
Safety Certifications	FD8382-TV/FD8382-ETV: CE, LVD, FCC Class A, VCCI, C-Tick, UL FD8382-VF2/FD8382-EVF2: CE, LVD, FCC Class A, VCCI, C-Tick
Operating Temperature	FD8382-VF2/FD8382-TV: Starting Temperature: -10°C ~ 50°C (14°F ~ 122°F) Working Temperature: -20°C ~ 50°C (-4°F ~ 122°F) FD8382-EVF2/FD8382-ETV: Starting Temperature: -40°C ~ 50°C (-40°F ~ 122°F) Working Temperature: -50°C ~ 50°C (-58°F ~ 122°F)
Warranty	36 months (FD8382-TV/FD8382-ETV) 24 months (FD8382-VF2/FD8382-EVF2)
System Requirements	
Operating System	Microsoft Windows 7/8/Vista/XP/2000
Web Browser	Mozilla Firefox 7~10 (streaming only) Internet Explorer 7/8/9/10/11
Other Players	VLC: 1.1.11 or above Quicktime: 7 or above
Included Accessories	
CD	User's manual, quick installation guide, Installation Wizard 2
Others	Quick installation guide, warranty card, alignment sticker/ desiccant bag, screw pack

Dimensions



Compatible Accessories

Mounting Kits



AM-51C (v01)
Adapter Ring



AM-525 (v01)
Mounting Adapter



AM-713
Conduit Box



AP-FXC-0251
PoE Extender with
Conduit Box

PoE Kits

All specifications are subject to change without notice. Copyright © VIVOTEK INC. All rights reserved.

Ver. 12