

CABLE CLEATS



Tab 1

ALUMINIUM ALLOY CABLE CLEATS - SINGLE POWER CABLE

Item Code	Cable Dia. (mm)
DSSB-CC-SAC19-27	19-27
DSSB-CC-SAC28-38	28-38
DSSB-CC-SAC39-53	39-53
DSSB-CC-SAC54-68	54-68
DSSB-CC-SAC66-82	66-82
DSSB-CC-SAC83-103	83-103
DSSB-CC-SAC100-114	100-114
DSSB-CC-SAC115-138	115-138



Classification According to : **IEC 61914**

TWO HOLE PLASTIC CABLE CLEATS - SINGLE POWER CABLE (FOR INDOOR USE)

Item Code	Cable Dia. (mm)
DSSB-CC-SNC18-27	18-27
DSSB-CC-SNC28-42	28-42
DSSB-CC-SNC29-35	29-35
DSSB-CC-SNC43-56	43-56
DSSB-CC-SNC54-76	54-76
DSSB-CC-SNC74-88	74-88
DSSB-CC-SNC87-102	87-102
DSSB-CC-SNC103-116	103-116
DSSB-CC-SNC117-138	117-138

Material : Polypropylene (PP) or NF + V2



Classification According to : **IEC 61914**

Cable Cleats

TREFOIL TWO HOLE CABLE CLEATS FOR THREE CABLE (ALUMINIUM)

Item Code	Cable Dia. (mm)
DSSB-CC-TAC32	29-32
DSSB-CC-TAC36	33-36
DSSB-CC-TAC40	37-40
DSSB-CC-TAC44	41-44
DSSB-CC-TAC47	45-47
DSSB-CC-TAC50	48-50
DSSB-CC-TAC53	51-53
DSSB-CC-TAC55	54-55
DSSB-CC-TAC60	56-60
DSSB-CC-TAC63	61-63
DSSB-CC-TAC66	64-66
DSSB-CC-TAC70	67-70
DSSB-CC-TAC73	71-73
DSSB-CC-TAC77	74-77
DSSB-CC-TAC 81	78-81
DSSB-CC-TAC85	82-85
DSSB-CC-TAC 90	86-90
DSSB-CC-TAC93	91-93
DSSB-CC-TAC96	94-93
DSSB-CC-TAC99	97-99
DSSB-CC-TAC102	100-102
DSSB-CC-TAC105	103-105
DSSB-CC-TAC109	106-109
DSSB-CC-TAC112	110-112



Classification According to : IEC 61914

Cable Cleats

**TREFOIL TWO HOLE PLASTIC CABLE CLEATS (UV RESISTANT)
FOR THREE CABLE (FOR INDOOR/OUTDOOR USE)**

Item Code	Cable Dia. (mm)
DSSB-CC-TNC24	22 - 24
DSSB-CC-TNC27	25 - 27
DSSB-CC-TNC30	28 - 30
DSSB-CC-TNC33	31 - 33
DSSB-CC-TNC36	34 - 36
DSSB-CC-TNC40	37 - 40
DSSB-CC-TNC44	41 - 44
DSSB-CC-TNC47	45 - 47
DSSB-CC-TNC50	48 - 50
DSSB-CC-TNC53	51 - 53
DSSB-CC-TNC55	54 - 55
DSSB-CC-TNC57	56 - 57
DSSB-CC-TNC60	56 - 60
DSSB-CC-TNC63	61 - 63
DSSB-CC-TNC65	64 - 65
DSSB-CC-TNC67	66 - 67
DSSB-CC-TNC70	68 - 70
DSSB-CC-TNC73	71 - 73
DSSB-CC-TNC77	74 - 77
DSSB-CC-TNC81	78 - 81
DSSB-CC-TNC85	82 - 85
DSSB-CC-TNC90	86 - 90
DSSB-CC-TNC93	91 - 93
DSSB-CC-TNC96	94 - 96
DSSB-CC-TNC99	97 - 99
DSSB-CC-TNC102	100 - 102
DSSB-CC-TNC105	103 - 105
DSSB-CC-TNC109	106 - 109
DSSB-CC-TNC112	110 - 112



Classification According to : **IEC 61914**

Other size please send / call for enquiry
 Material : Polypropylene (PP) or NF + V2



Cable Cleats

TREFOIL PLASTIC BASE (UV RESISTANT)

Item Code	Trefoil Size
DSSB-CC-TNB2849	28-49
DSSB-CC-TNB3647	33-44
DSSB-CC-TNB5070	50-70
DSSB-CC-TNB87102	87-102
DSSB-CC-TNB103138	103-138

Material : Polypropylene (PP) or NF + V2



28-49



33-44



50-70



87-102



Cable Cleats

GC CABLE CLEATS - SINGLE POWER CABLE

Item Code	Cable Dia. (mm)
DSSB-CC-SPCRG8-21	RG8"
DSSB-CC-SPCRG8-31	RG8"
DSSB-CC-SPC12-21	1/2"
DSSB-CC-SPC12-31	1/2"
DSSB-CC-SPC78-21	7/8"
DSSB-CC-SPC78-31	7/8"
DSSB-CC-SPC158-21	1 5/8"
DSSB-CC-SPC158-31	1 5/8"
DSSB-CC-SPC114-21	1 1/4"
DSSB-CC-SPC114-31	1 1/4"

Note : Other combination can be specially order
 *21 = 2 in 1
 *31 = 3 in 1



SINGLE HOLE CABLE CLEATS - A

Item Code	Cable Dia. (mm)
DSSB-CC-SHCA105	10.5 - 14.5
DSSB-CC-SHCA122	12.2 - 16.7
DSSB-CC-SHCA146	14.6 - 19.8
DSSB-CC-SHCA180	18.0 - 24.0



SINGLE HOLE CABLE CLEATS - B

Item Code	Cable Max. Bundle Dia. (mm)
DSSB-CC-SHCB101	10.1
DSSB-CC-SHCB127	12.7
DSSB-CC-SHCB178	17.8
DSSB-CC-SHCB203	20.3
DSSB-CC-SHCB228	22.8
DSSB-CC-SHCB254	25.4



Cable Cleats



POLE ADAPTER FOR CABLE CLEAT

Item Code
DSSB-CC-PA

Applications

With the stainless steel band and two 'Pole Adapters' will allow you to mount and hold all types of cable clamps (cable cleats) or other product to (*steel or concrete*) poles or other structures which cannot be drilled.

Features

Manufactured from Polyamide (PA), Glass Fibre Reinforced.
 Resistant to oils, UV (ultraviolet), ozone, salt, moisture, acids and even nuclear radiation.
 UL94 self-extinguishing, Halogen-free.
 Temperature range from -40°C to 120°C.
 Coloured black.



Cable Cleats

**STAINLESS STEEL TREFOIL CABLE CLEATS
FOR THREE CABLE (FOR INDOOR AND OUTDOOR USE)**

Item No.	Cable Range			
	Min. Dia.		Max. Dia.	
	mm	in.	mm	in.
DSSB-FF-T1323	13	0.51	23	0.91
DSSB-FF-T2125	21	0.83	25	0.98
DSSB-FF-T2329	23	0.91	29	1.14
DSSB-FF-T2531	25	0.98	31	1.22
DSSB-FF-T2733	27	1.06	33	1.30
DSSB-FF-T2935	29	1.14	35	1.38
DSSB-FF-T3238	32	1.26	38	1.5
DSSB-FF-T3541	35	1.38	41	1.61
DSSB-FF-T3844	38	1.50	44	1.73
DSSB-FF-T4248	42	1.65	48	1.89
DSSB-FF-T4551	45	1.77	51	2.01
DSSB-FF-T4753	47	1.85	53	2.09
DSSB-FF-T4955	49	1.93	55	2.17
DSSB-FF-T5157	51	2.01	57	2.24
DSSB-FF-T5359	53	2.09	59	2.32
DSSB-FF-T5561	55	2.17	61	2.40
DSSB-FF-T5763	57	2.24	63	2.48
DSSB-FF-T5965	59	2.32	65	2.56
DSSB-FF-T6167	61	2.40	67	2.64
DSSB-FF-T6369	63	2.48	69	2.72
DSSB-FF-T6571	65	2.56	71	2.80
DSSB-FF-T6773	67	2.64	73	2.87
DSSB-FF-T6975	69	2.72	75	2.95
DSSB-FF-T7177	71	2.80	77	3.03
DSSB-FF-T7379	73	2.87	79	3.11
DSSB-FF-T7581	75	2.95	81	3.19
DSSB-FF-T7783	77	3.03	83	3.27
DSSB-FF-T7985	79	3.11	85	3.35
DSSB-FF-T8187	81	3.19	87	3.43
DSSB-FF-T8389	83	3.27	89	3.50
DSSB-FF-T8896	88	3.46	96	3.78
DSSB-FF-T96103	96	3.78	103	4.06
DSSB-FF-T103111	103	4.06	111	4.37
DSSB-FF-T111119	111	4.37	119	4.69
DSSB-FF-T119128	119	4.69	128	5.04

Classification: According to IEC 61914
 Material: Stainless Steel ANSI 316 and ANSI 304
 Max and min Temperature - 40 to + 120
 Resistance to impact Very heavy
 Resistance to electromechanical forces Lateral and axial retention withstanding more than one short circuit
 Resistance to corrosion High



Stainless Steel Cable Cleats

STAINLESS STEEL SINGLE CABLE CLEATS
- SINGLE POWER CABLE (FOR INDOOR AND OUTDOOR USE)

Item No.	Cable Range			
	Min. Dia.		Max. Dia.	
	mm	in.	mm	in.
DSSB-FF-S2832	28	1.10	32	1.26
DSSB-FF-S3034	30	1.18	34	1.34
DSSB-FF-S3236	32	1.26	36	1.42
DSSB-FF-S3438	34	1.34	38	1.50
DSSB-FF-S3640	36	1.42	40	1.57
DSSB-FF-S3842	38	1.50	42	1.65
DSSB-FF-S4044	40	1.57	44	1.73
DSSB-FF-S4246	42	1.65	46	1.81
DSSB-FF-S4448	44	1.73	48	1.89
DSSB-FF-S4650	46	1.81	50	1.97
DSSB-FF-S4852	48	1.89	52	2.05
DSSB-FF-S5054	50	1.97	54	2.13
DSSB-FF-S5256	52	2.05	56	2.20
DSSB-FF-S5458	54	2.13	58	2.28
DSSB-FF-S5660	56	2.20	60	2.36
DSSB-FF-S5862	58	2.28	62	2.44
DSSB-FF-S6064	60	2.36	64	2.52
DSSB-FF-S6266	62	2.44	66	2.60
DSSB-FF-S6468	64	2.52	68	2.68
DSSB-FF-S6670	66	2.60	70	2.76
DSSB-FF-S6872	68	2.68	72	2.83
DSSB-FF-S7074	70	2.76	74	2.91
DSSB-FF-S7276	72	2.83	76	2.99
DSSB-FF-S7478	74	2.91	78	3.07
DSSB-FF-S7680	76	2.99	80	3.15
DSSB-FF-S7882	78	3.07	82	3.23
DSSB-FF-S8084	80	3.15	84	3.31
DSSB-FF-S8284	82	3.23	86	3.39
DSSB-FF-S8488	84	3.31	88	3.46
DSSB-FF-S8690	86	3.39	90	3.54
DSSB-FF-S9094	90	3.54	94	3.70
DSSB-FF-S94118	94	3.70	118	4.65
DSSB-FF-S118130	118	4.65	130	5.12
DSSB-FF-S127150	127	5.00	150	5.91

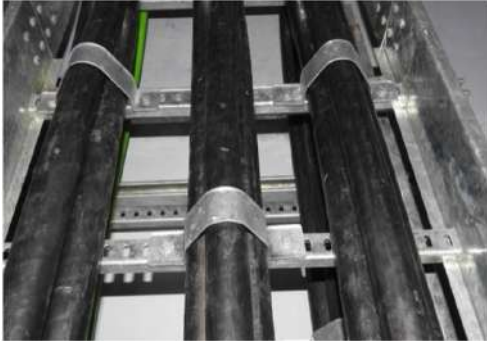
Classification: According to IEC 61914
 Material: Stainless Steel ANSI 316 and ANSI 304
 Max and min Temperature - 40 to + 120
 Resistance to impact Very heavy
 Resistance to electromechanical forces Lateral and axial retention withstanding more than one short circuit
 Resistance to corrosion High



Stainless Steel Cable Cleats

**HDG CABLE CLEATS (HOT | DIPPED | GALVANIZED)
- FOR THREE CABLE**

Item No.	Cable Diameter (mm)
DSSB-CC-THC32	29-32
DSSB-CC-THC36	33-36
DSSB-CC-THC40	37-40
DSSB-CC-THC44	41-44
DSSB-CC-THC47	45-47
DSSB-CC-THC50	48-50
DSSB-CC-THC53	51-53
DSSB-CC-THC55	54-55
DSSB-CC-THC60	56-60
DSSB-CC-THC63	61-63
DSSB-CC-THC67	64-67
DSSB-CC-THC70	68-70
DSSB-CC-THC73	71-73
DSSB-CC-THC77	74-77
DSSB-CC-THC81	78-81
DSSB-CC-THC85	82-85
DSSB-CC-THC90	86-90
DSSB-CC-THC93	91-93
DSSB-CC-THC96	94-96
DSSB-CC-THC99	97-99
DSSB-CC-THC102	100-102
DSSB-CC-THC105	103-105
DSSB-CC-THC109	106-109
DSSB-CC-THC112	110-112



Hot Dipped Galvanized Cable Cleats



**HDG HALF CABLE CLEATS (HOT | DIPPED | GALVANIZED)
- FOR SINGLE CABLE**

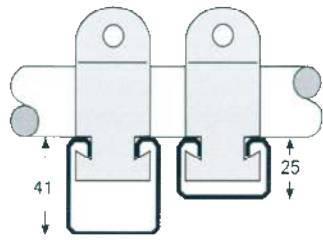
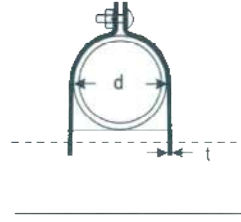
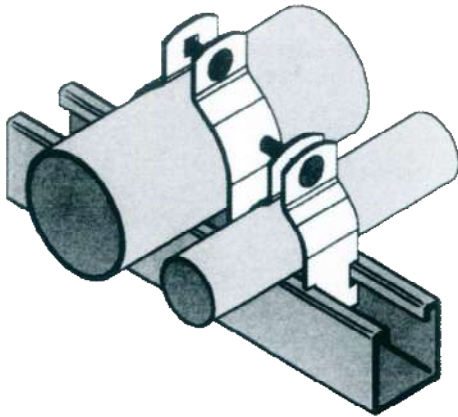
ITEM CODE	Cable Diameter (mm)
DSSB-CC-HSC32	29-32
DSSB-CC-HSC36	33-36
DSSB-CC-HSC40	37-40
DSSB-CC-HSC44	41-44
DSSB-CC-HSC47	45-47
DSSB-CC-HSC50	48-50
DSSB-CC-HSC53	51-53
DSSB-CC-HSC55	54-55
DSSB-CC-HSC60	56-60
DSSB-CC-HSC63	61-63
DSSB-CC-HSC67	64-67
DSSB-CC-HSC70	68-70
DSSB-CC-HSC73	71-73
DSSB-CC-HSC77	74-77
DSSB-CC-HSC81	78-81
DSSB-CC-HSC85	82-85
DSSB-CC-HSC90	86-90
DSSB-CC-HSC93	91-93
DSSB-CC-HSC96	94-96
DSSB-CC-HSC99	97-99
DSSB-CC-HSC102	100-102
DSSB-CC-HSC105	103-105
DSSB-CC-HSC109	106-109
DSSB-CC-HSC112	110-112



Hot Dipped Galvanized Cable Cleats

STRUT CLAMPS FOR CABLES AND PIPE CONDUITS

CODE	Pipe mm	Size	d mm	T mm	Boilt & Nut
DSSB-HLSC-26	12	½"	21.7	1.4	1.4
DSSB-HLSC-27	19	¾"	27.2	1.4	1.4
DSSB-HLSC-28	25	1"	34	2	2
DSSB-HLSC-29	32	1 ¼"	42.7	2	2
DSSB-HLSC-30	40	1 ½"	48.6	2	2
DSSB-HLSC-31	50	2"	60.5	2.6	2.6
DSSB-HLSC-32	65	2 ½"	76.3	2.6	2.6
DSSB-HLSC-33	75	3"	89.1	2.6	2.6
DSSB-HLSC-34	100	4"	114.3	3	3
DSSB-HLSC-35	125	5"	139.8	3	3
DSSB-HLSC-36	150	6"	165.2	3.4	3.4
DSSB-HLSC-38	200	8"	216.3	3.4	3.4
DSSB-HMPSC-19A	19	-	19.1mm	1.4	1.4
DSSB-HMPSC-125A	25	-	25.4mm	1.4	1.4
DSSB-HMPSC-32A	31	-	31.8mm	2	2
DSSB-HMPSC-40A	39	-	38.1mm	2	2
DSSB-HMPSC-50A	51	-	50.8mm	2	2
DSSB-HMPSC-65A	63	-	63.5mm	2.6	2.6



- Quick and easy installation
- Suitable for pipes, conduits and even cables
- HLSC series for pipes and HMPSC series for conduits.
- Fits into both 41mm and 25mm strut channels
- Excellent finishing for indoor and outdoor use

Hot Dipped Galvanized Cable Cleats

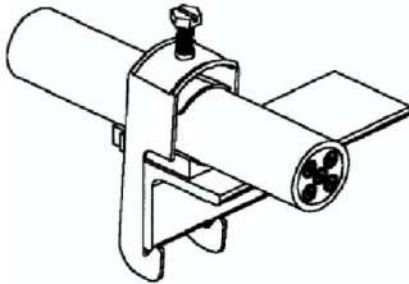
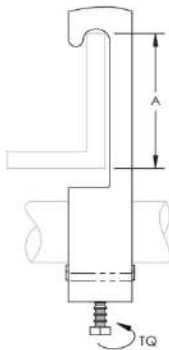
**HDG CABLE CLEATS (HOT | DIPPED | GALVANIZED)
- FOR ANGLE IRON**

Item No.	Cable Outer Diameter (mm)	A
DSSB-CC-AI4012	6 - 12mm	43mm
DSSB-CC-AI4016	12 - 16mm	43mm
DSSB-CC-AI4020	16 - 20mm	43mm
DSSB-CC-AI4024	20 - 24mm	43mm
DSSB-CC-AI4028	24 - 28mm	43mm
DSSB-CC-AI4032	28 - 32mm	43mm
DSSB-CC-AI4036	32 - 36mm	43mm
DSSB-CC-AI4040	36 - 40mm	43mm
DSSB-CC-AI4044	40 - 44mm	43mm
DSSB-CC-AI4048	44 - 48mm	43mm
DSSB-CC-AI4052	48 - 52mm	43mm
DSSB-CC-AI4056	52 - 56mm	43mm
DSSB-CC-AI4060	56 - 60mm	43mm
DSSB-CC-AI4064	60 - 64mm	43mm
DSSB-CC-AI4070	64 - 70mm	43mm
DSSB-CC-AI4076	70 - 76mm	43mm
DSSB-CC-AI4082	76 - 82mm	43mm
DSSB-CC-AI4088	82 - 88mm	43mm
DSSB-CC-AI4094	88 - 94mm	43mm
DSSB-CC-AI40100	94 - 100mm	43mm



Supports multiple runs of cable
Attaches to beam flanges, angle iron, joists and other structural supports

Specification:
Material: Steel
Finish: Hot-Dip Galvanized



Hot Dipped Galvanized Cable Cleats



STAINLESS STEEL CLAMP C/W LINER

Code No.	Clamping Size (E)		Thickness (C)	Dimension		Pieces Per Bag
	Inch	mm		Hole (D)	Width (B)	
DSSB-FPMC3/16"	3/16"	4.76	0.8	6.8	12.7	100
DSSB-FPMC1/4"	1/4"	6	0.8	6.8	12.7	100
DSSB-FPMC3/8"	3/8"	10	0.8	6.8	12.7	100
DSSB-FPMC1/2"	1/2"	13	0.8	6.8	12.7	100
DSSB-FPMC5/8"	5/8"	16	0.8	6.8	12.7	100
DSSB-FPMC3/4"	3/4"	19	0.8	6.8	12.7	100
DSSB-FPMC7/8"	7/8"	22	0.8	6.8	12.7	100
DSSB-FPMC1"	1"	25	0.8	6.8	12.7	100
DSSB-FPMC1-1/8"	1-1/8"	28	0.8	6.8	12.7	100
DSSB-FPMC1-1/4"	1-1/4"	32	0.8	6.8	12.7	100
DSSB-FPMC1-3/8"	1-3/8"	35	0.8	6.8	12.7	100
DSSB-FPMC1-1/2"	1-1/2"	38	0.8	6.8	12.7	100
DSSB-FPMC1-5/8"	1-5/8"	41	0.8	6.8	12.7	100
DSSB-FPMC1-3/4"	1-3/4"	44	0.8	6.8	12.7	100
DSSB-FPMC1-7/8"	1-7/8"	48	0.8	6.8	12.7	100
DSSB-FPMC2"	2"	50	1.0	6.8	12.7	10
DSSB-FPMC2-1/8"	2-1/8"	54	1.0	6.8	12.7	10
DSSB-FPMC2-1/4"	2-1/4"	57	1.0	6.8	12.7	10
DSSB-FPMC2-3/8"	2-3/8"	60	1.0	6.8	12.7	10
DSSB-FPMC2-1/2"	2-1/2"	63	1.0	6.8	12.7	10
DSSB-FPMC3"	3"	75	1.0	6.8	12.7	10

Specification:

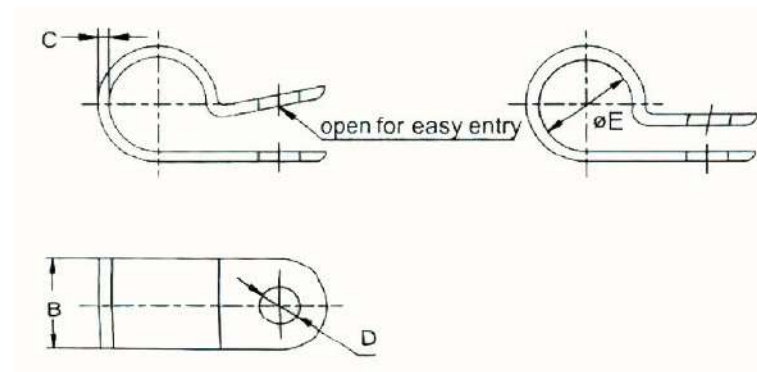
Material: Steel or Stainless Steel AISI 304

Coated: Fully PVC

Operating Temperature: -40°C to 120°C

Recommended Application

Fastening/binding for indoor & outdoor cables.
Used for vibration damping and sound insulation.
Clip fits tight on object.



Stainless Steel Cable Clips



STAINLESS STEEL CLAMP C/W LSOH RUBBER LINER

Code No.	Clamping Size (E)		Thickness (C)	Dimension		Pieces Per Bag
	Inch	mm		Hole (D)	Width (B)	
DSSB-RMC3/16"	3/16"	4.76	0.8	6.8	12.7	100
DSSB-RMC1/4"	1/4"	6	0.8	6.8	12.7	100
DSSB-RMC3/8"	3/8"	10	0.8	6.8	12.7	100
DSSB-RMC1/2"	1/2"	13	0.8	6.8	12.7	100
DSSB-RMC5/8"	5/8"	16	0.8	6.8	12.7	100
DSSB-RMC3/4"	3/4"	19	0.8	6.8	12.7	100
DSSB-RMC7/8"	7/8"	22	0.8	6.8	12.7	100
DSSB-RMC1"	1"	25	0.8	6.8	12.7	100
DSSB-RMC1-1/8"	1-1/8"	28	0.8	6.8	12.7	100
DSSB-RMC1-1/4"	1-1/4"	32	0.8	6.8	12.7	100
DSSB-RMC1-3/8"	1-3/8"	35	0.8	6.8	12.7	100
DSSB-RMC1-1/2"	1-1/2"	38	0.8	6.8	12.7	100
DSSB-RMC1-5/8"	1-5/8"	41	0.8	6.8	12.7	100
DSSB-RMC1-3/4"	1-3/4"	44	0.8	6.8	12.7	100
DSSB-RMC1-7/8"	1-7/8"	48	0.8	6.8	12.7	100
DSSB-RMC2"	2"	50	1.0	6.8	12.7	10
DSSB-RMC2-1/8"	2-1/8"	54	1.0	6.8	12.7	10
DSSB-RMC2-1/4"	2-1/4"	57	1.0	6.8	12.7	10
DSSB-RMC2-3/8"	2-3/8"	60	1.0	6.8	12.7	10
DSSB-RMC2-1/2"	2-1/2"	63	1.0	6.8	12.7	10
DSSB-RMC3"	3"	75	1.0	6.8	12.7	10

Specification:

Material: Steel or Stainless Steel AISI 304

Coated: Semi Rubber

Operating Temperature: -40°C to 120°C

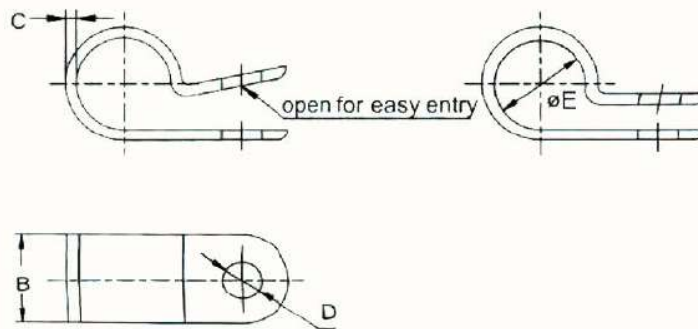


Recommended Application

Fastening/binding for indoor & outdoor cables.

Used for vibration damping and sound insulation.

Clip fits tight on object.



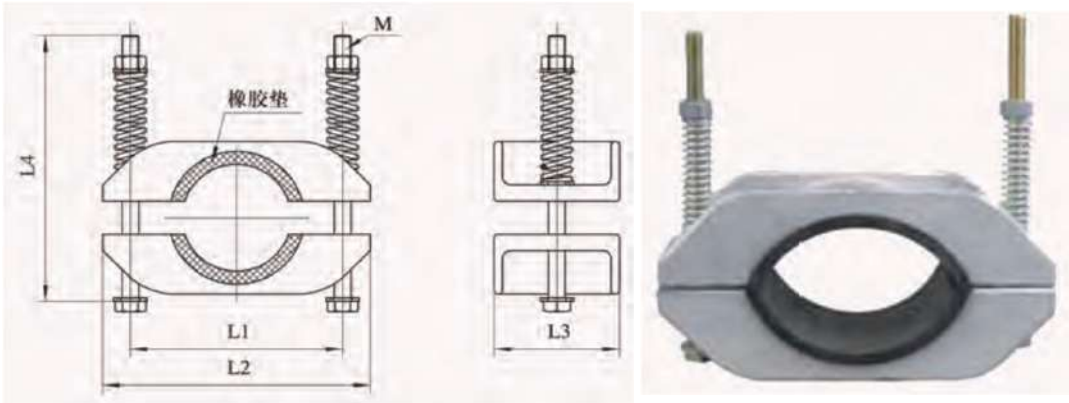
FLAME RETARDANT
UL94v-2



Stainless Steel Cable Clips

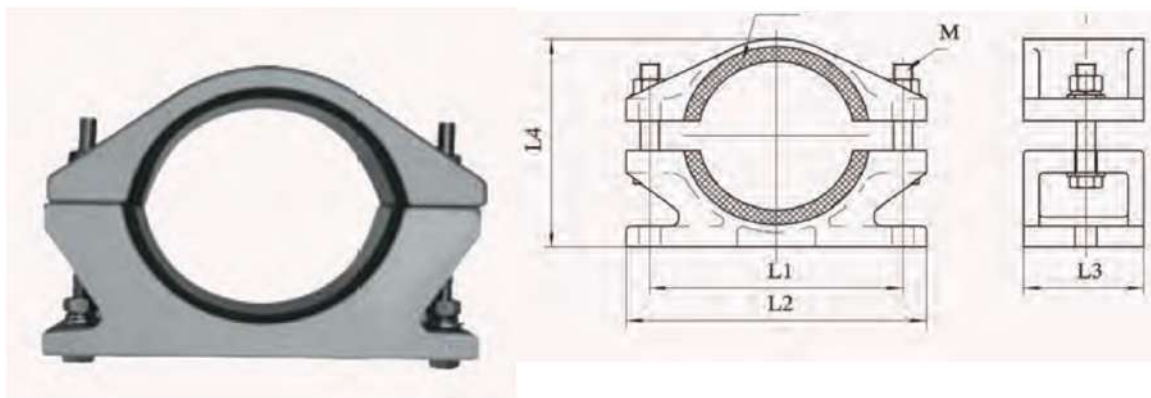
JGH HIGH-VOLTAGE CABLE FIXED CLEAT

Item No.	Cable Dia. (mm)	L1 (mm)	L2 (mm)	L3 (mm)	L4 (mm)	Bolt (mm)
DSSB-CC-JGH-4	136 - 150	190	230	85	230	2-M12
DSSB-CC-JGH-5	150 - 160	210	250	85	240	2-M12



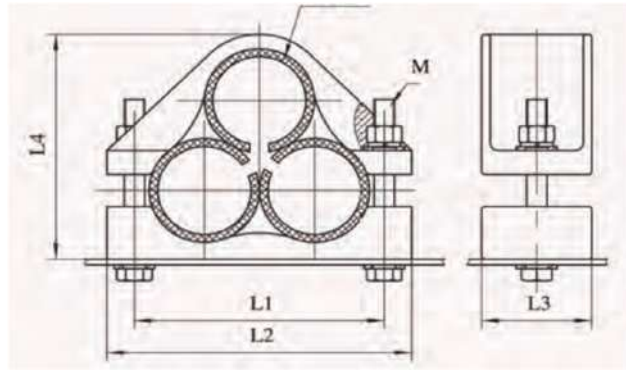
JGWD HIGH-VOLTAGE CABLE FIXED CLEAT

Item No.	Cable Dia. (mm)	L1 (mm)	L2 (mm)	L3 (mm)	L4 (mm)	Bolt (mm)
DSSB-CC-JGWD-6	136 - 150	225	265	100	200	2-M12
DSSB-CC-JGWD-7	140 - 166	230	280	100	215	2-M12



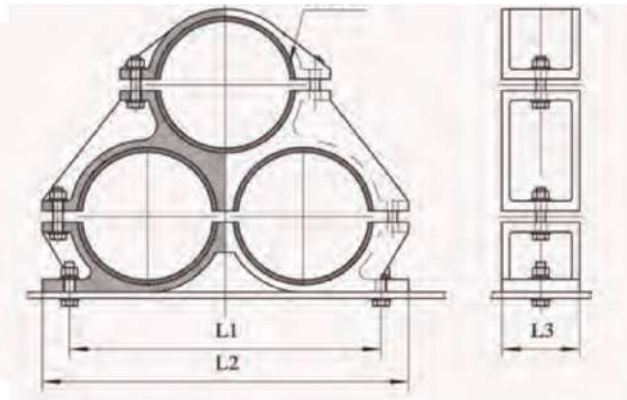
JGP HIGH-VOLTAGE CABLE FIXED CLEAT

Item No.	Cable Dia. (mm)	L1 (mm)	L2 (mm)	L3 (mm)	L4 (mm)	Bolt (mm)
DSSB-CC-JGP-7	114-130	300	352	100	265	2-M16



JGPD HIGH-VOLTAGE CABLE FIXED CLEAT

Item No.	Cable Dia. (mm)	L1 (mm)	L2 (mm)	L3 (mm)	Bolt (mm)
DSSB-CC-JGP-7	114-130	370	420	100	2-M16





Redefining Supply

An ISO 9001:2015 &
14001:2015 Company

DELTA SAMA JAYA SDN. BHD. (DSSB) 199901025376 (500276-W)

No. 23G & 23M, DSSB Building, Jalan Perdana 6/8, Pandan Perdana,
55300 Kuala Lumpur, Malaysia

Tel: +603-92824007, +603-92813778 Fax: +603-92870705

Email: (HQ): samajaya@substation.com.my, (Sales): sales@substation.com.my

Website: www.substation.com.my



NOTES:

Lined area for notes, consisting of approximately 25 horizontal lines.



DELTA SAMA JAYA SDN. BHD. (DSSB) 199901025376 (500276-W)

No. 23G & 23M, DSSB Building, Jalan Perdana 6/8, Pandan Perdana,
55300 Kuala Lumpur, Malaysia

Tel: +603-92824007, +603-92813778 Fax: +603-92870705

Email: (HQ): samajaya@substation.com.my, (Sales): sales@substation.com.my

Website: www.substation.com.my

Redefining Supply
An ISO 9001:2015 &
14001:2015 Company



NOTES:

Delta Sama Jaya Sdn.Bhd.



DELTA SAMA JAYA
www.substation.com.my

We are constantly reviewing and updating our products,
for the latest information please call us on (+603) 9281 3778
or visit our website at: www.substation.com.my