



CABLE CONNECTORS



Tab 9

PURE COPPER TIN PLATED CABLE LUG

Specification:

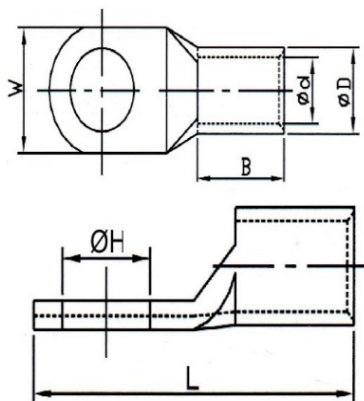
Material: T2 / 99.95% Original Pure Copper

Finish: Tin Plated

Compliance: *B.S. (British Standard)
*JLS (Japan)
*DIN (Germany)
*ANSI (U.S.A.)



| ITEM CODE | SIZE (mm ²) | HOLE SIZE | | DIMENSIONS (mm) | | | | |
|----------------------|-------------------------|-----------|--------|-----------------|------|------|------|-----|
| | | | ØH | W | B | L | ØD | Ød |
| DSSB-CNT-LUG1.5M5 | 1.5 | M5 | 5.2mm | 8.5 | 6.0 | 18.5 | 3.5 | 2.5 |
| DSSB-CNT-LUG2.5M5 | 2.5 | M5 | 5.2mm | 10.0 | 7.0 | 20.0 | 4.0 | 3.0 |
| DSSB-CNT-SSLUG2.5M6 | | M6 | 6.4mm | 10.0 | 7.0 | 20.0 | 4.0 | 3.0 |
| DSSB-CNT-SSLUG2.5M8 | | M8 | 8.4mm | 12.5 | 7.0 | 23.0 | 4.0 | 3.0 |
| DSSB-CNT-SSLUG4M5 | 4 | M5 | 5.2mm | 9.0 | 8.0 | 21.5 | 4.8 | 3.5 |
| DSSB-CNT-LUG4.0M6 | | M6 | 6.4mm | 9.0 | 8.0 | 21.5 | 4.8 | 3.5 |
| DSSB-CNT-SSLUG4.0M8 | | M8 | 8.4mm | 11.5 | 8.0 | 21.0 | 4.8 | 3.5 |
| DSSB-CNT-LUG6M6 | 6 | M6 | 6.4mm | 9.0 | 9.0 | 25.0 | 5.5 | 4.1 |
| DSSB-CNT-SSLUG6.0M8 | | M8 | 8.4mm | 11.0 | 9.0 | 25.0 | 5.5 | 4.1 |
| DSSB-CNT-SSLUG6.0M10 | | M10 | 10.5mm | 15.0 | 9.0 | 28.0 | 5.5 | 4.1 |
| DSSB-CNT-LUG10M6 | 10 | M6 | 6.4mm | 10.0 | 9.0 | 25.0 | 6.7 | 5.0 |
| DSSB-CNT-SSLUG10M8 | | M8 | 8.4mm | 12.0 | 9.0 | 25.5 | 6.7 | 5.0 |
| DSSB-CNT-SSLUG10M10 | | M10 | 10.5mm | 14.5 | 11.0 | 28.5 | 6.7 | 5.0 |
| DSSB-CNT-SSLUG16M6 | 16 | M6 | 6.4mm | 11.0 | 11.5 | 30.0 | 7.5 | 5.8 |
| DSSB-CNT-LUG16M8 | | M8 | 8.4mm | 12.0 | 11.5 | 30.0 | 7.5 | 5.8 |
| DSSB-CNT-SSLUG16M10 | | M10 | 10.5mm | 14.5 | 11.5 | 31.0 | 7.5 | 5.8 |
| DSSB-CNT-SSLUG16M12 | | M12 | 12.5mm | 17.5 | 11.5 | 32.0 | 7.5 | 5.8 |
| DSSB-CNT-SSLUG25M6 | 25 | M6 | 6.4mm | 13.5 | 12.0 | 32.0 | 9.0 | 7.2 |
| DSSB-CNT-LUG25M8 | | M8 | 8.4mm | 13.5 | 12.0 | 32.0 | 9.0 | 7.2 |
| DSSB-CNT-SSLUG25M10 | | M10 | 10.5mm | 13.5 | 12.0 | 32.0 | 9.0 | 7.2 |
| DSSB-CNT-SSLUG25M12 | | M12 | 12.5mm | 18.0 | 12.0 | 35.0 | 9.0 | 7.2 |
| DSSB-CNT-SSLUG35M6 | 35 | M6 | 6.4mm | 15.5 | 16.0 | 37.5 | 10.5 | 8.5 |
| DSSB-CNT-SSLUG35M8 | | M8 | 8.4mm | 15.5 | 16.0 | 37.5 | 10.5 | 8.5 |
| DSSB-CNT-LUG35M10 | | M10 | 10.5mm | 15.5 | 16.0 | 37.5 | 10.5 | 8.5 |
| DSSB-CNT-SSLUG35M12 | | M12 | 12.5mm | 16.5 | 16.0 | 38.0 | 10.5 | 8.5 |
| DSSB-CNT-SSLUG35M16 | | M16 | 16.5mm | 22.0 | 16.0 | 44.0 | 10.5 | 8.5 |



PURE COPPER TIN PLATED CABLE LUG

Specification:

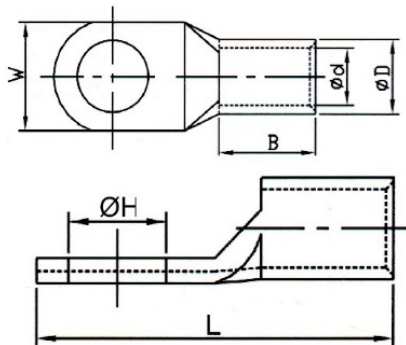
Material: T2 / 99.95% Original Pure Copper

Finish: Tin Plated

Compliance: *B.S. (British Standard)
*JLS (Japan)
*DIN (Germany)
*ANSI (U.S.A.)



| ITEM CODE | SIZE (mm ²) | HOLE SIZE | | DIMENSIONS (mm) | | | | | |
|----------------------|-------------------------|-----------|--------|-----------------|------|-------|------|------|------|
| | | | ØH | W | B | L | ØD | Ød | |
| DSSB-CNT-SSLUG50M8 | 50 | M8 | 8.4mm | 18.4 | 18.0 | 44.5 | 12.5 | 10.1 | |
| DSSB-CNT-LUG50M10 | | M10 | 10.5mm | 18.4 | 18.0 | 44.5 | 12.5 | 10.1 | |
| DSSB-CNT-SSLUG50M12 | | M12 | 12.5mm | 18.4 | 18.0 | 44.5 | 12.5 | 10.1 | |
| DSSB-CNT-SSLUG70M8 | 70 | M8 | 8.4mm | 21.0 | 20.5 | 49.0 | 14.5 | 11.7 | |
| DSSB-CNT-SSLUG70M10 | | M10 | 10.5mm | 21.0 | 20.5 | 49.0 | 14.5 | 11.7 | |
| DSSB-CNT-LUG70M12 | | M12 | 12.5mm | 21.0 | 20.5 | 49.0 | 14.5 | 11.7 | |
| DSSB-CNT-SSLUG70M16 | 70 | M16 | 16.5mm | 21.0 | 20.5 | 49.0 | 14.5 | 11.7 | |
| DSSB-CNT-SSLUG95M8 | | 95 | M8 | 8.4mm | 22.0 | 54.5 | 17.0 | 13.8 | 50.0 |
| DSSB-CNT-SSLUG95M10 | | | M10 | 10.5mm | 22.0 | 54.5 | 17.0 | 13.8 | 50.0 |
| DSSB-CNT-LUG95M12 | M12 | | 12.5mm | 22.0 | 54.5 | 17.0 | 13.8 | 50.0 | |
| DSSB-CNT-SSLUG95M16 | M16 | | 16.5mm | 22.0 | 58.0 | 17.0 | 13.8 | 50.0 | |
| DSSB-CNT-SSLUG120M8 | 120 | M8 | 8.4mm | 28.5 | 25.0 | 61.0 | 19.5 | 15.9 | |
| DSSB-CNT-SSLUG120M10 | | M10 | 10.5mm | 28.5 | 25.0 | 61.0 | 19.5 | 15.9 | |
| DSSB-CNT-LUG120M12 | | M12 | 12.5mm | 28.5 | 25.0 | 61.0 | 19.5 | 15.9 | |
| DSSB-CNT-SSLUG120M16 | | M16 | 16.5mm | 28.5 | 25.0 | 61.0 | 19.5 | 15.9 | |
| DSSB-CNT-SSLUG150M8 | 150 | M8 | 8.4mm | 30.0 | 27.0 | 68.0 | 20.5 | 16.7 | |
| DSSB-CNT-SSLUG150M10 | | M10 | 10.5mm | 30.0 | 27.0 | 68.0 | 20.5 | 16.7 | |
| DSSB-CNT-SSLUG150M12 | | M12 | 12.5mm | 30.0 | 27.0 | 68.0 | 20.5 | 16.7 | |
| DSSB-CNT-LUG150M16 | | M16 | 16.5mm | 30.0 | 27.0 | 68.0 | 20.5 | 16.7 | |
| DSSB-CNT-SSLUG185M10 | 185 | M10 | 10.5mm | 33.5 | 30.0 | 76.5 | 25.3 | 19.1 | |
| DSSB-CNT-SSLUG185M12 | | M12 | 12.5mm | 33.5 | 30.0 | 76.5 | 25.3 | 19.1 | |
| DSSB-CNT-LUG185M16 | | M16 | 16.5mm | 33.5 | 30.0 | 76.5 | 25.3 | 19.1 | |
| DSSB-CNT-SSLUG240M12 | 240 | M12 | 12.5mm | 38.0 | 33.0 | 88.5 | 26.0 | 21.4 | |
| DSSB-CNT-LUG240M16 | | M16 | 16.5mm | 38.0 | 33.0 | 88.5 | 26.0 | 21.4 | |
| DSSB-CNT-LUG300M16 | 300 | M16 | 16.5mm | 43.0 | 40.0 | 99.0 | 30.0 | 24.6 | |
| DSSB-CNT-LUG400M16 | 400 | M16 | 16.5mm | 49.5 | 46.0 | 112.0 | 34.0 | 27.4 | |
| DSSB-CNT-LUG500M20 | 500 | M20 | 20.5mm | 55.0 | 51.0 | 122.0 | 38.0 | 30.8 | |
| DSSB-CNT-LUG630M20 | 630 | M20 | 20.5mm | 65.0 | 55.0 | 134.0 | 45.0 | 35.6 | |



NON-INSULATED SPADE TERMINALS

Specification:

Material: T2 / 99.95% Original Pure Copper

Finish: Tin Plated

Compliance: *B.S. (British Standard)

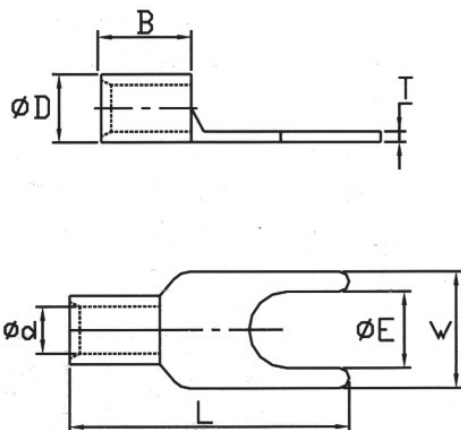
*JLS (Japan)

*DIN (Germany)

*ANSI (U.S.A.)



| ITEM CODE | WIRE RANGE (mm ²) #AWG | Hole Size ØE | DIMENSIONS (mm) | | |
|--------------------|--|--------------------|-----------------|-----|------|
| | | | W | B | L |
| DSSB-CNT-1.25-3YS | (0.25 - 1.65) 22 - 16 | 3.7 | 5.7 | 4.5 | 16.0 |
| DSSB-CNT-1.25-3YW | | 3.7 | 6.2 | | |
| DSSB-CNT-1.25-3YSA | | 3.2 | 5.7 | | |
| DSSB-CNT-1.25-4YS | | 4.3 | 6.4 | | |
| DSSB-CNT-1.25-4YW | | 4.3 | 7.2 | | |
| DSSB-CNT-1.25-5Y | | 5.3 | 8.0 | | |
| DSSB-CNT-1.25-6Y | | 6.7 | 10.7 | | |
| DSSB-CNT-2-3YSA | (1.04 - 2.63) 16 - 14 | 3.2 | 5.7 | 4.5 | 16.0 |
| DSSB-CNT-2-3YS | | 3.7 | 5.7 | | |
| DSSB-CNT-2-3YW | | 3.7 | 6.2 | | |
| DSSB-CNT-2-4YS | | 4.3 | 6.4 | | |
| DSSB-CNT-2-4YW | | 4.3 | 7.2 | | |
| DSSB-CNT-2-5Y | | 5.3 | 8.0 | | |
| DSSB-CNT-2-6Y | | 6.7 | 10.7 | | |
| DSSB-CNT-3-5-4Y | (2.63 - 4.60) 12 - 10 | 4.3 | 8.0 | 6.5 | 18.0 |
| DSSB-CNT-3-5-5Y | | 5.3 | 8.0 | 6.3 | 24.0 |
| DSSB-CNT-3-5-6Y | | 6.7 | 12.0 | | |
| DSSB-CNT-5-5-3Y | (4.60 - 6.64) 12 - 10 | 3.7 | 8.2 | 6.5 | 19.5 |
| DSSB-CNT-5-5-4Y | | 4.3 | 8.2 | | |
| DSSB-CNT-5-5-5Y | | 5.3 | 9.0 | | |
| DSSB-CNT-5-5-6Y | | 6.4 | 12.0 | | |
| DSSB-CNT-8-5Y | (6.64 - 10.52) | 5.3 | 9.0 | 8.6 | 23.5 |
| DSSB-CNT-8-6Y | 8 | 6.7 | 12.0 | | 24.0 |
| DSSB-CNT-14-5Y | (10.52 - 16.78) 10 | 5.3 | 12.0 | 10 | 27.5 |
| DSSB-CNT-14-6Y | | 6.7 | 12.0 | | |



INSULATED RING TERMINALS

Specification:

Material: T2 / 99.95% Original Pure Copper

Finish: Tin Plated

Insulated Material: PVC

Compliance: *B.S. (British Standard)

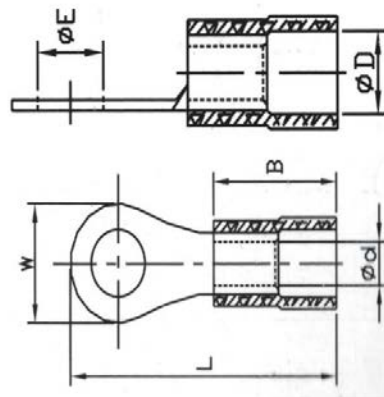
*JLS (Japan)

*DIN (Germany)

*ANSI (U.S.A.)



| ITEM CODE | Colour | WIRE RANGE (mm ²) #AWG | Hole Size ØE | DIMENSIONS (mm) | | | | |
|--------------------|--------|--|--------------------|-----------------|-----|--------------------------|------|------|
| | | | | ØD | Ød | W | B | L |
| DSSB-CNT-VF1.25-3 | RED | (0.25 - 1.65) 22 - 16 | 3.7 | 4 | 1.7 | 5.5 | 10.4 | 17.3 |
| DSSB-CNT-VF1.25-3A | | | 3.2 | | | 5.5 | | 17.3 |
| DSSB-CNT-VF1.25-3M | | | 3.7 | | | 6.6 | | 20.3 |
| DSSB-CNT-VF1.25-4 | | | 4.3 | | | 8 | | 21.8 |
| DSSB-CNT-VF1.25-4M | | | 4.3 | | | 6.6 | | 20.3 |
| DSSB-CNT-VF1.25-5 | | | 5.3 | | | 8 | | 21.8 |
| DSSB-CNT-VF1.25-6 | | | 6.4 | | | 11.6 | | 27.5 |
| DSSB-CNT-VF1.25-8 | | | 8.4 | | | 11.6 | | 27.5 |
| DSSB-CNT-VF1.25-10 | | | 10.5 | | | 13.6 | | 31.8 |
| DSSB-CNT-VF2-3 | | | BLUE | | | (1.04 - 2.63) 16 - 14 | | 3.7 |
| DSSB-CNT-VF2-3A | 3.2 | 8.5 | | 22.3 | | | | |
| DSSB-CNT-VF2-3M | 3.7 | 6.6 | | 19.8 | | | | |
| DSSB-CNT-VF2-4 | 4.3 | 8.5 | | 22.3 | | | | |
| DSSB-CNT-VF2-4M | 4.3 | 6.6 | | 19.8 | | | | |
| DSSB-CNT-VF2-5 | 5.3 | 9.5 | | 22.3 | | | | |
| DSSB-CNT-VF2-6 | 6.4 | 12 | | 27.3 | | | | |
| DSSB-CNT-VF2-8 | 8.4 | 12 | | 27.3 | | | | |
| DSSB-CNT-VF2-10 | 10.5 | 13.6 | | 30.8 | | | | |



INSULATED RING TERMINALS

Specification:

Material: T2 / 99.95% Original Pure Copper

Finish: Tin Plated

Insulated Material: PVC

Compliance: *B.S. (British Standard)

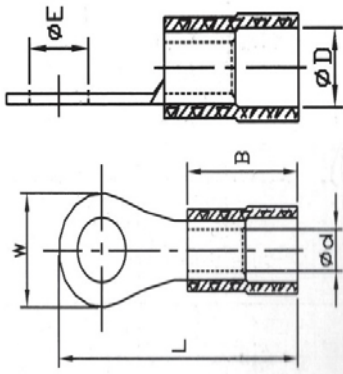
*JLS (Japan)

*DIN (Germany)

*ANSI (U.S.A.)



| ITEM CODE | Colour | WIRE RANGE (mm ²) #AWG | Hole Size | DIMENSIONS (mm) | | | | |
|-------------------|--------|--|-----------|-----------------|-----|------|------|------|
| | | | ØE | ØD | Ød | W | B | L |
| DSSB-CNT-VF3.5-4 | Yellow | (2.63 - 4.60) | 4.3 | 5.6 | 3.2 | 9.5 | 13.3 | 26.3 |
| DSSB-CNT-VF3.5-5 | | | 5.3 | | | 9.5 | | 26.3 |
| DSSB-CNT-VF3.5-6 | | 12 - 10 | 6.4 | | | 12 | | 27.7 |
| DSSB-CNT-VF3.5-8 | | | 8.4 | | | 12 | | 27.7 |
| DSSB-CNT-VF5.5-3 | Yellow | (4.60 - 6.64) 12 - 10 | 3.7 | 6.6 | 3.5 | 9.5 | 13.5 | 26.5 |
| DSSB-CNT-VF5.5-4 | | | 4.3 | | | 9.5 | | 26.5 |
| DSSB-CNT-VF5.5-5 | | | 5.3 | | | 9.6 | | 26.5 |
| DSSB-CNT-VF5.5-6 | | | 6.4 | | | 12 | | 32.5 |
| DSSB-CNT-VF5.5-6S | | | 6.4 | | | 12 | | 29.2 |
| DSSB-CNT-VF5.5-8 | | | 8.4 | | | 15 | | 34.5 |
| DSSB-CNT-VF5.5-10 | | | 10.5 | | | 15 | | 34.5 |
| DSSB-CNT-VF5.5-12 | | | 13.2 | | | 18.2 | | 35.2 |
| DSSB-CNT-VF8-3 | Red | (6.64 - 10.52) 8 | 3.7 | 8.3 | 4.5 | 10 | 17.5 | 30 |
| DSSB-CNT-VF8-4 | | | 4.3 | | | 10 | | 30 |
| DSSB-CNT-VF8-5 | | | 5.3 | | | 10 | | 30 |
| DSSB-CNT-VF8-6 | | | 6.4 | | | 11 | | 31.5 |
| DSSB-CNT-VF8-8 | | | 8.4 | | | 14 | | 36 |
| DSSB-CNT-VF8-10 | | | 10.5 | | | 18 | | 39.5 |
| DSSB-CNT-VF8-12 | | | 13 | | | 18 | | 39 |



CABLE CONNECTORS

INSULATED SPADE TERMINALS

Specification:

Material: T2 / 99.95% Original Pure Copper

Finish: Tin Plated

Insulated Material: PVC

Compliance: *B.S. (British Standard)

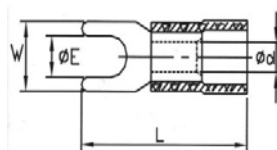
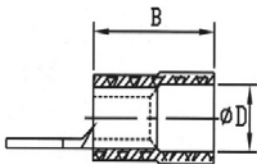
*JLS (Japan)

*DIN (Germany)

*ANSI (U.S.A.)



| ITEM CODE | Colour | WIRE RANGE (mm ²) #AWG | Hole Size ØE | DIMENSIONS (mm) | | | | |
|---------------------|--------|--|--------------------|-----------------|-----|------|------|------|
| | | | | ØD | Ød | W | B | L |
| DSSB-CNT-VF1.25-3YS | Red | (0.25 - 1.65) 22 - 16 | 3.7 | 4 | 1.7 | 5.7 | 10.4 | 21.8 |
| DSSB-CNT-VF1.25-3YM | | | 3.7 | | | 6.2 | | 21.8 |
| DSSB-CNT-VF1.25-3YS | | | 3.2 | | | 5.7 | | 21.8 |
| DSSB-CNT-VF1.25-4YS | | | 4.3 | | | 6.4 | | 21.8 |
| DSSB-CNT-VF1.25-4YM | | | 4.3 | | | 7.2 | | 21.8 |
| DSSB-CNT-VF1.25-5Y | | | 5.3 | | | 8.0 | | 21.8 |
| DSSB-CNT-VF1.25-6Y | | | 6.7 | | | 10.7 | | 21.8 |
| DSSB-CNT-VF2-3YSA | Blue | (1.04 - 2.63) 16 - 14 | 3.2 | 4.6 | 2.3 | 5.7 | 10.4 | 21.8 |
| DSSB-CNT-VF2-3YS | | | 3.7 | | | 5.7 | | 21.8 |
| DSSB-CNT-VF2-3YW | | | 3.7 | | | 6.2 | | 21.8 |
| DSSB-CNT-VF2-4YS | | | 4.3 | | | 6.4 | | 21.8 |
| DSSB-CNT-VF2-4YW | | | 4.3 | | | 7.2 | | 21.8 |
| DSSB-CNT-VF2-5Y | | | 5.3 | | | 8.0 | | 21.8 |
| DSSB-CNT-VF2-6Y | | | 6.7 | | | 10.7 | | 24.8 |
| DSSB-CNT-VF3.5-4Y | Yellow | (2.63 - 4.60) 12 - 10 | 4.3 | 5.6 | 3.2 | 8.0 | 13.3 | 24.8 |
| DSSB-CNT-VF3.5-5Y | | | 5.3 | | | 8.0 | | 24.8 |
| DSSB-CNT-VF3.5-6Y | | | 6.7 | | | 12.0 | | 30.8 |
| DSSB-CNT-VF5.5-3Y | Yellow | (4.60 - 6.64) 12 - 10 | 3.7 | 6.6 | 3.5 | 8.2 | 13.6 | 26.5 |
| DSSB-CNT-VF5.5-4Y | | | 4.3 | | | 8.2 | | 26.5 |
| DSSB-CNT-VF5.5-5Y | | | 5.3 | | | 9.0 | | 26.5 |
| DSSB-CNT-VF5.5-6Y | | | 6.4 | | | 12.0 | | 31.2 |
| DSSB-CNT-VF5.5-8Y | | | 8.4 | | | 15.0 | | 34.5 |
| DSSB-CNT-VF8-5Y | Red | (6.64 - 10.52) 8 | 5.3 | 8.3 | 4.5 | 9.0 | 17.5 | 32.0 |
| DSSB-CNT-VF8-6Y | | | 6.7 | | | 12.0 | | 32.5 |
| DSSB-CNT-VF14-5Y | Red | (10.52 - 16.78) 10 | 5.3 | 9.7 | 5.9 | 12.0 | 23 | 40.5 |
| DSSB-CNT-VF14-6Y | | | 6.7 | | | 12.0 | | 40.5 |



INSULATED MALE CONNECTOR

Specification:

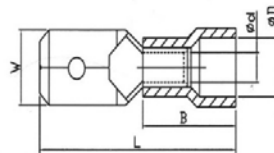
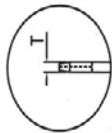
Material: Brass **Finish:** Tin Plated

Insulated Material: PVC

Compliance: *B.S. (British Standard) *DIN (Germany)
 *JLS (Japan) *ANSI (U.S.A.)



| ITEM CODE | DIMENSIONS (mm) | | | | | |
|------------------|-----------------|------|-----|-----|-----|----|
| | W | L | t | Ød | ØD | B |
| DSSB-CNT-RM110-5 | 2.8 | 18.5 | 0.5 | 2.1 | 3.8 | 10 |
| DSSB-CNT-RM110-8 | 2.8 | 18.5 | 0.8 | 1.8 | 3.8 | 10 |
| DSSB-CNT-RM187-5 | 4.5 | 19.0 | 0.5 | 2.1 | 3.8 | 10 |
| DSSB-CNT-RM187-8 | 4.5 | 19.0 | 0.8 | 1.8 | 3.8 | 10 |
| DSSB-CNT-RM250 | 6.3 | 21.1 | 0.8 | 1.8 | 3.8 | 10 |
| DSSB-CNT-BM110-5 | 2.8 | 18.5 | 0.5 | 2.7 | 4.2 | 10 |
| DSSB-CNT-BM110-8 | 2.8 | 18.5 | 0.8 | 2.4 | 4.2 | 10 |
| DSSB-CNT-BM187-5 | 4.5 | 19.0 | 0.5 | 2.7 | 4.2 | 10 |
| DSSB-CNT-BM187-8 | 4.5 | 19.0 | 0.8 | 2.4 | 4.2 | 10 |
| DSSB-CNT-BM250 | 6.3 | 21.1 | 0.8 | 2.3 | 4.2 | 10 |
| DSSB-CNT-YM250 | 6.3 | 24.0 | 0.8 | 3.5 | 5.4 | 13 |



INSULATED PIGGY BACK CONNECTOR

Specification:

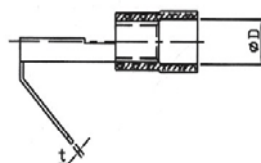
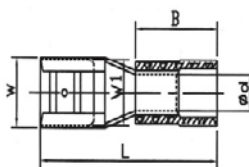
Material: Brass **Finish:** Tin Plated

Insulated Material: PVC

Compliance: *B.S. (British Standard) *DIN (Germany)
 *JLS (Japan) *ANSI (U.S.A.)



| ITEM CODE | Colour | WIRE RANGE (Twine mm ²) #AWG | DIMENSIONS (mm) | | | | | |
|------------------|--------|--|-----------------|-----|------|-----|-----|------|
| | | | W | W1 | L | d | D | B |
| DSSB-CNT-MF1.25F | Red | (0.25 - 1.65) 22 - 16 | 6.8 | 6.3 | 21.0 | 1.8 | 3.9 | 10.0 |
| DSSB-CNT-MF2F | Blue | (1.04 - 2.63) 16 - 14 | 6.8 | 6.3 | 21.0 | 2.3 | 4.2 | 10.0 |
| DSSB-CNT-MF5.5F | Yellow | (2.63 - 6.64) 12 - 10 | 6.8 | 6.3 | 22.5 | 3.5 | 5.5 | 13.5 |



INSULATED FEMALE CONNECTORS

Specification:

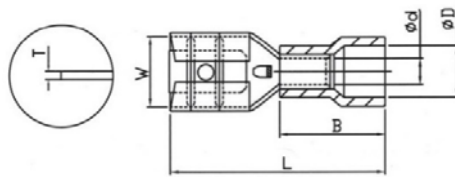
Material: Brass **Finish:** Tin Plated

Insulated Material: PVC

Compliance: *B.S. (British Standard) *DIN (Germany)
 *JLS (Japan) *ANSI (U.S.A.)



| ITEM CODE | DIMENSIONS (mm) | | | | | |
|------------------|-----------------|------|------|-----|-----|----|
| | W | L | t | Ød | ØD | B |
| DSSB-CNT-RF110-5 | 3.2 | 18.5 | 18.5 | 0.3 | 3.8 | 10 |
| DSSB-CNT-RF110-8 | 3.2 | 18.5 | 18.5 | 0.3 | 3.8 | 10 |
| DSSB-CNT-RF187-5 | 5 | 19.0 | 19.0 | 0.4 | 3.8 | 10 |
| DSSB-CNT-RF187-8 | 5 | 19.0 | 19.0 | 0.4 | 3.8 | 10 |
| DSSB-CNT-RF250 | 6.6 | 20.3 | 20.3 | 0.4 | 3.8 | 10 |
| DSSB-CNT-BF110-5 | 3.2 | 18.5 | 18.5 | 0.3 | 4.2 | 10 |
| DSSB-CNT-BF110-8 | 3.2 | 18.5 | 18.5 | 0.3 | 4.2 | 10 |
| DSSB-CNT-BF187-5 | 5 | 19.0 | 19.0 | 0.4 | 4.2 | 10 |
| DSSB-CNT-BF187-8 | 5 | 19.0 | 19.0 | 0.4 | 4.2 | 10 |
| DSSB-CNT-BF250 | 6.6 | 20.3 | 20.3 | 0.4 | 4.2 | 10 |
| DSSB-CNT-YF250 | 6.6 | 23.3 | 20.3 | 0.4 | 5.4 | 13 |



INSULATED PIGGY BACK CONNECTOR

Specification:

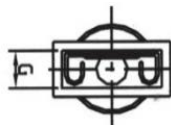
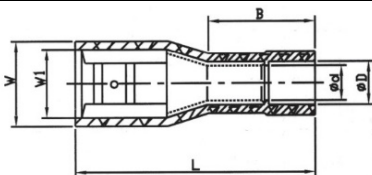
Material: Brass **Finish:** Tin Plated

Insulated Material: PVC

Compliance: *B.S. (British Standard) *DIN (Germany)
 *JLS (Japan) *ANSI (U.S.A.)



| ITEM CODE | Colour | WIRE RANGE (Twine mm ²) #AWG | DIMENSIONS (mm) | | | | | |
|-----------------|--------|--|-----------------|-----|------|-----|-----|------|
| | | | W1 | W | L | d | D | B |
| DSSB-CNT-RF250F | Red | (0.75 - 1.25) 18 - 16 | 6.6 | 9.6 | 23.0 | 1.8 | 3.9 | 10.0 |
| DSSB-CNT-BF250F | Blue | (1.25 - 2.0) 16 - 14 | 6.6 | 9.6 | 23.0 | 2.3 | 4.2 | 10.0 |
| DSSB-CNT-YF250F | Yellow | (2.63 - 6.64) 12 - 10 | 6.6 | 9.6 | 24.0 | 3.5 | 5.5 | 11.0 |



INSULATED PIN TERMINALS

Specification:

Material: T2 / 99.95% Original Pure Copper

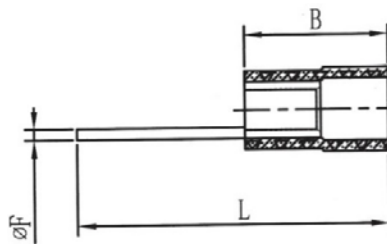
Insulated Material: PVC **Finish:** Tin Plated

Compliance: *B.S. (British Standard) *DIN (Germany)

*JLS (Japan) *ANSI (U.S.A.)



| ITEM CODE | WIRE RANGE | | | | DIMENSIONS (mm) | | |
|------------------|------------|-------------|-------------|-------|-----------------|------|------|
| | Colour | Single (mm) | Twine | AWG | ΦF | L | B |
| DSSB-CNT-PIN1.25 | Red | 0.57 - 1.44 | 0.25 - 1.65 | 22-16 | 2 | 22.5 | 10.4 |
| DSSB-CNT-PIN2 | Blue | 1.14 - 1.82 | 1.04 - 2.63 | 16-14 | 2 | 22.9 | 10.4 |
| DSSB-CNT-PIN5.5 | Yellow | 1.82 - 2.89 | 2.63 - 6.64 | 12-10 | 2.7 | 27.3 | 13.5 |



INSULATED BLADE TERMINALS (FLAT)

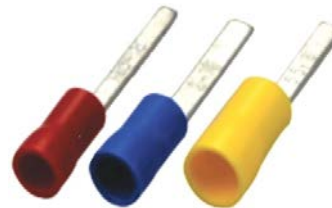
Specification:

Material: T2 / 99.95% Original Pure Copper

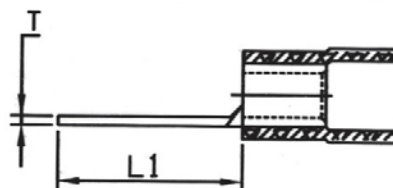
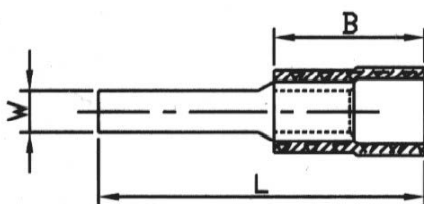
Insulated Material: PVC **Finish:** Tin Plated

Compliance: *B.S. (British Standard) *DIN (Germany)

*JLS (Japan) *ANSI (U.S.A.)



| ITEM CODE | Colour | Single mm | Twine mm ² | DIMENSIONS (mm) | | | | | |
|--------------------------|--------|-------------|-----------------------|-----------------|-----|-----|------|------|------|
| | | | | W | D | d | T | B | L |
| DSSB-CNT-PIN1.25F-13.0 | Red | 0.57 - 1.44 | 0.25 - 1.65 | 3.0 | 4.0 | 1.7 | 0.75 | 10.4 | 23.4 |
| DSSB-CNT-PIN1.25F-14.5/3 | | | | 3.0 | 4.0 | 1.7 | 0.75 | 10.4 | 24.9 |
| DSSB-CNT-PIN1.25F-18/2.3 | | | | 2.3 | 4.0 | 1.7 | 0.75 | 10.4 | 28.4 |
| DSSB-CNT-PIN2F-13/3 | Blue | 1.44 - 1.82 | 1.04 - 2.63 | 3.0 | 4.6 | 2.3 | 0.75 | 10.4 | 23.4 |
| DSSB-CNT-PIN2F-18 | | | | 3.0 | 4.6 | 2.3 | 0.75 | 10.4 | 28.4 |
| DSSB-CNT-PIN5.5F-14/3 | Yellow | 1.82 - 2.98 | 2.63 - 6.64 | 3.0 | 6.9 | 3.5 | 1.00 | 13.5 | 27.5 |
| DSSB-CNT-PIN5.5F-18/3 | | | | 3.0 | 6.9 | 3.5 | 1.00 | 13.5 | 31.5 |



INSULATED BULLET CONNECTORS

Specification:

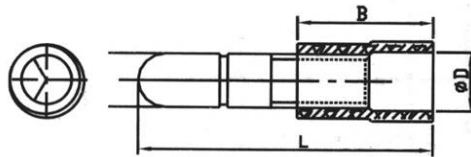
Material: T2 / 99.95% Original Pure Copper

Insulated Material: PVC **Finish:** Tin Plated

Compliance: *B.S. (British Standard) *DIN (Germany)
*JLS (Japan) *ANSI (U.S.A.)



| ITEM CODE | Colour | WIRE RANGE (Twine mm ²) #AWG | DIMENSIONS (mm) | | | |
|-----------------|--------|--|-----------------|------|-------|-------|
| | | | d | D | B | L |
| DSSB-CNT-F1.25A | Red | (0.57 - 1.25) 18 - 16 | 3.96 | 3.90 | 11.00 | 22.00 |
| DSSB-CNT-F1.25A | Blue | (1.25 - 2.0) 16 - 14 | 3.96 | 4.20 | 11.00 | 22.00 |
| DSSB-CNT-F1.25A | Blue | (1.25 - 2.0) 16 - 14 | 4.96 | 4.20 | 11.00 | 22.00 |
| DSSB-CNT-F1.25A | Yellow | (2.63 - 6.64) 12 - 10 | 4.96 | 5.50 | 13.70 | 25.10 |



INSULATED SOCKET CONNECTOR

Specification:

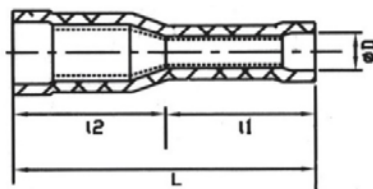
Material: T2 / 99.95% Original Pure Copper

Insulated Material: PVC **Finish:** Tin Plated

Compliance: *B.S. (British Standard) *DIN (Germany)
*JLS (Japan) *ANSI (U.S.A.)



| ITEM CODE | Colour | WIRE RANGE (Twine mm ²) #AWG | DIMENSIONS (mm) | | | |
|-------------------|--------|--|-----------------|-------|-------|------|
| | | | d | D | B | L |
| DSSB-CNT-F1.25B | Red | (0.57 - 1.25) 18 - 16 | 14.00 | 10.50 | 23.00 | 3.90 |
| DSSB-CNT-F2B(4) | Blue | (1.25 - 2.0) 16 - 14 | 14.00 | 10.50 | 23.00 | 4.20 |
| DSSB-CNT-F2B(5) | Blue | (1.25 - 2.0) 16 - 14 | 14.00 | 10.50 | 23.00 | 4.20 |
| DSSB-CNT-F5.5B(5) | Yellow | (2.63 - 6.64) 12 - 10 | 13.50 | 12.00 | 25.50 | 5.50 |



NON-INSULATED PIN TERMINAL

Specification:

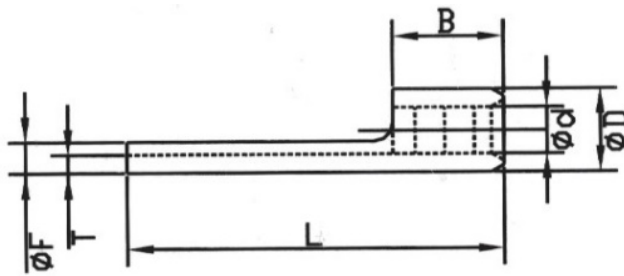
Material: T2 / 99.95% Original Pure Copper

Finish: Tin Plated

Compliance: *B.S. (British Standard) *DIN (Germany)
*JLS (Japan) *ANSI (U.S.A.)



| ITEM CODE | DIMENSIONS (mm) | | | | | |
|-------------------|-----------------|----------|----------|------|-------|------|
| | F | ΦD | Φd | B | L | T |
| DSSB-CNT-TPIN1.25 | 2 | 3.4 | 1.7 | 4.50 | 16.30 | 0.75 |
| DSSB-CNT-TPIN2 | 2 | 4 | 2.3 | 4.80 | 17.00 | 0.75 |
| DSSB-CNT-TPIN5.5 | 2.7 | 5.6 | 3.5 | 6.80 | 20.50 | 1.00 |



NON-INSULATED BLADE TERMINAL (FLAT PIN)

Specification:

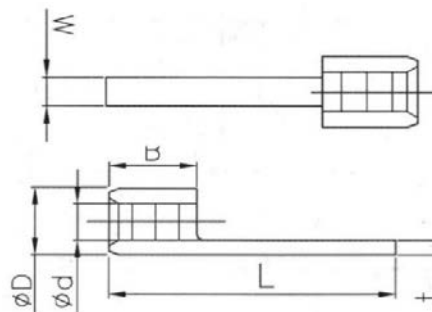
Material: T2 / 99.95% Original Pure Copper

Finish: Tin Plated

Compliance: *B.S. (British Standard) *DIN (Germany)
*JLS (Japan) *ANSI (U.S.A.)



| ITEM CODE | DIMENSIONS (mm) | | | | | |
|-------------------|-----------------|----------|----------|-----|-----|------|
| | F | ΦD | Φd | T | B | L |
| DSSB-CNT-TPIN1.25 | 3.0 | 3.4 | 1.7 | 0.8 | 4.5 | 17.5 |
| DSSB-CNT-TPIN2 | 3.0 | 4.0 | 2.3 | 0.8 | 4.8 | 17.8 |
| DSSB-CNT-TPIN5.5 | 3.0 | 5.6 | 3.5 | 1.0 | 6.8 | 20.8 |



INSULATED CORD-END TERMINAL

Specification:

Material: T2 / 99.95% Original Pure Copper

Finish: Tin Plated

Insulated Material: Nylon

Compl *B.S. (British Standard)

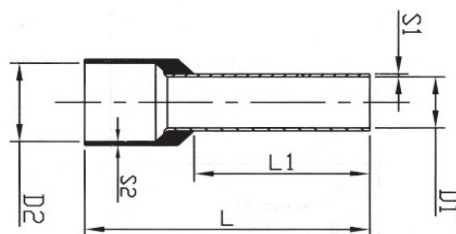
*JLS (Japan)

*DIN (Germany)

*ANSI (U.S.A.)



| ITEM CODE | COLOUR SYSTEM | | | WIRE RANGE (mm) | DIMENSIONS (mm) | | | | | |
|-------------------|---------------|--------|------------|-----------------|-----------------|------|-------|-------|-------|------|
| | W | T | DIN | | D1 | D2 | L | L1 | S1 | S2 |
| DSSB-CNT-LT001406 | Grey | Grey | Grey | 0.14 | 0.70 | 1.10 | 0.70 | 1.10 | 10.00 | 6.00 |
| DSSB-CNT-LT002506 | Light Blue | Voilet | Light Blue | 0.25 | 0.75 | 1.90 | 10.00 | 6.00 | 0.15 | 0.30 |
| DSSB-CNT-LT002508 | | | | | | | 12.00 | 8.00 | | |
| DSSB-CNT-LT003406 | Turquoise | Pink | Turquoise | 0.34 | 0.80 | 1.90 | 10.00 | 6.00 | 0.15 | 0.30 |
| DSSB-CNT-LT003408 | | | | | | | 12.00 | 8.00 | | |
| DSSB-CNT-LT005006 | Orange | White | White | 0.50 | 1.00 | 2.60 | 12.00 | 6.00 | 0.15 | 0.30 |
| DSSB-CNT-LT005008 | | | | | | | 14.00 | 8.00 | | |
| DSSB-CNT-LT005010 | | | | | | | 16.00 | 10.00 | | |
| DSSB-CNT-LT007506 | White | Blue | Grey | 0.75 | 1.20 | 2.80 | 12.00 | 6.00 | 0.15 | 0.30 |
| DSSB-CNT-LT007508 | | | | | | | 14.00 | 8.00 | | |
| DSSB-CNT-LT007510 | | | | | | | 16.00 | 10.00 | | |
| DSSB-CNT-LT007512 | | | | | | | 18.00 | 12.00 | | |
| DSSB-CNT-LT010006 | Yellow | Red | Red | 1.00 | 1.40 | 3.00 | 12.00 | 6.00 | 0.15 | 0.30 |
| DSSB-CNT-LT010008 | | | | | | | 14.00 | 8.00 | | |
| DSSB-CNT-LT010010 | | | | | | | 16.00 | 10.00 | | |
| DSSB-CNT-LT010012 | | | | | | | 18.00 | 12.00 | | |
| DSSB-CNT-LT015008 | Red | Black | Black | 1.50 | 1.70 | 3.50 | 14.00 | 8.00 | 0.15 | 0.30 |
| DSSB-CNT-LT015010 | | | | | | | 16.00 | 10.00 | | |
| DSSB-CNT-LT015012 | | | | | | | 18.00 | 12.00 | | |
| DSSB-CNT-LT015018 | | | | | | | 24.00 | 14.00 | | |
| DSSB-CNT-LT025008 | Blue | Grey | Blue | 2.50 | 2.20 | 4.20 | 14.00 | 8.00 | 0.15 | 0.30 |
| DSSB-CNT-LT025010 | | | | | | | 16.00 | 10.00 | | |
| DSSB-CNT-LT025012 | | | | | | | 18.00 | 12.00 | | |
| DSSB-CNT-LT025018 | | | | | | | 24.00 | 14.00 | | |



INSULATED CORD-END TERMINAL

Specification:

Material: T2 / 99.95% Original Pure Copper

Finish: Tin Plated

Insulated Material: Nylon

Compl *B.S. (British Standard)

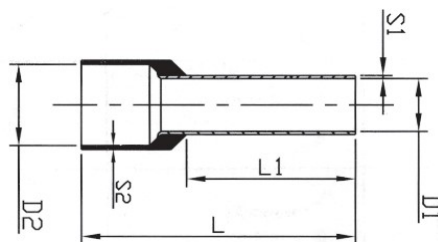
*JLS (Japan)

*DIN (Germany)

*ANSI (U.S.A.)



| ITEM CODE | COLOUR SYSTEM | | | WIRE RANGE (mm) | DIMENSIONS (mm) | | | | | |
|-------------------|---------------|--------|--------|-----------------|-----------------|-------|-------|-------|------|------|
| | W | T | DIN | | D1 | D2 | L | L1 | S1 | S2 |
| DSSB-CNT-LT040010 | Grey | Orange | Grey | 4.00 | 2.80 | 4.80 | 18.00 | 10.00 | 0.20 | 0.35 |
| DSSB-CNT-LT040012 | | | | | | | 20.00 | 12.00 | | |
| DSSB-CNT-LT040018 | | | | | | | 26.00 | 18.00 | | |
| DSSB-CNT-LT060012 | Black | Green | Yellow | 6.00 | 3.50 | 6.30 | 20.00 | 12.00 | 0.20 | 0.40 |
| DSSB-CNT-LT060018 | | | | | | | 26.00 | 18.00 | | |
| DSSB-CNT-LT100012 | Ivory | Brown | Red | 10.00 | 4.50 | 7.60 | 22.00 | 12.00 | 0.20 | 0.40 |
| DSSB-CNT-LT100018 | | | | | | | 28.00 | 18.00 | | |
| DSSB-CNT-LT160012 | Green | Ivory | Blue | 16.00 | 5.80 | 8.80 | 24.00 | 12.00 | 0.20 | 0.40 |
| DSSB-CNT-LT160018 | | | | | | | 28.00 | 18.00 | | |
| DSSB-CNT-LT250016 | Brown | Black | Yellow | 25.00 | 7.30 | 11.20 | 30.00 | 16.00 | 0.20 | 0.40 |
| DSSB-CNT-LT250018 | | | | | | | 32.00 | 18.00 | | |
| DSSB-CNT-LT250022 | | | | | | | 36.00 | 22.00 | | |
| DSSB-CNT-LT350016 | Beige | Red | Red | 35.00 | 8.30 | 12.70 | 30.00 | 16.00 | 0.20 | 0.40 |
| DSSB-CNT-LT350018 | | | | | | | 32.00 | 18.00 | | |
| DSSB-CNT-LT350025 | | | | | | | 39.00 | 25.00 | | |
| DSSB-CNT-LT500020 | Olive | Blue | Blue | 50.00 | 10.30 | 15.00 | 36.00 | 20.00 | 0.30 | 0.50 |
| DSSB-CNT-LT500025 | | | | | | | 40.00 | 25.00 | | |
| DSSB-CNT-LT700021 | | | Yellow | 70.00 | 13.50 | 16.00 | 37.00 | 21.00 | 0.40 | 0.60 |
| DSSB-CNT-LT950025 | | | Red | 95.00 | 17.50 | 18.00 | 44.00 | 25.00 | 0.40 | 0.60 |
| DSSB-CNT-LT120027 | | | Blue | 120.00 | 16.70 | 20.00 | 48.00 | 27.00 | 0.45 | 0.70 |
| DSSB-CNT-LT150032 | | | Yellow | 150.00 | 19.50 | 23.00 | 58.00 | 32.00 | 0.50 | 1.00 |



INSULATED CORD-END TWIN TERMINAL

Specification:

Material: T2 / 99.95% Original Pure Copper

Finish: Tin Plated

Insulated Material: Nylon

Compl *B.S. (British Standard)

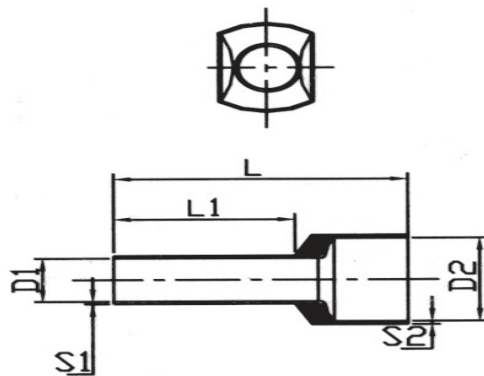
*JLS (Japan)

*DIN (Germany)

*ANSI (U.S.A.)



| ITEM CODE | COLOUR SYSTEM | | | WIRE RANGE (mm) | DIMENSIONS (mm) | | | | | |
|-------------------|---------------|--------|--------|-----------------|-----------------|------------|-------|-------|------|------|
| | W | T | DIN | | D1 | D2 | L | L1 | S1 | S2 |
| DSSB-CNT-CT205008 | Orange | White | White | 2 x 0.5 | 1.50 | 2.5/4.7 | 15.00 | 8.00 | 0.15 | 0.25 |
| DSSB-CNT-CT207508 | White | Blue | Grey | 2 x 0.75 | 1.80 | 2.8/5.0 | 15.00 | 8.00 | | |
| DSSB-CNT-CT207510 | | | | | | | 17.00 | 10.00 | | |
| DSSB-CNT-CT210008 | Yellow | Red | Red | 2 x 1 | 2.05 | 3.4 / 5.4 | 15.00 | 8.00 | 0.15 | 0.30 |
| DSSB-CNT-CT210010 | | | | | | | 17.00 | 10.00 | | |
| DSSB-CNT-CT215008 | Red | Black | Black | 2 x 1.5 | 2.30 | 3.6 / 6.6 | 16.00 | 8.00 | 0.15 | 0.30 |
| DSSB-CNT-CT215012 | | | | | | | 20.00 | 12.00 | | |
| DSSB-CNT-CT225010 | Blue | Grey | Blue | 2 x 2.5 | 2.80 | 4.2 / 7.8 | 18.50 | 10.00 | 0.20 | 0.40 |
| DSSB-CNT-CT225013 | | | | | | | 21.50 | 13.00 | | |
| DSSB-CNT-CT240012 | Grey | Orange | Grey | 2 x 4 | 3.70 | 4.9 / 8.8 | 23.00 | 12.00 | | |
| DSSB-CNT-CT260014 | Black | Orange | Yellow | 2 x 6 | 4.80 | 6.9 / 10.0 | 26.00 | 14.00 | 0.20 | 0.50 |
| DSSB-CNT-CT210014 | Ivory | Brown | Red | 2 x 10 | 6.40 | 7.6 / 12.8 | 26.50 | 14.00 | | |
| DSSB-CNT-CT216014 | Green | Ivory | Blue | 2 x 16 | 8.30 | 9.6 / 18.6 | 31.50 | 14.00 | | |



HEAVY DUTY CABLE LINKS

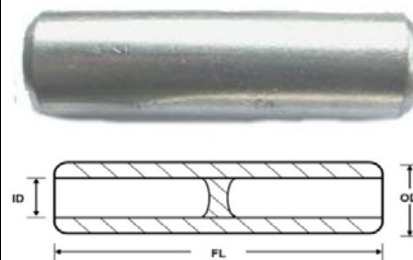
| Item Code | Conductor | Dimension | | |
|-------------------|-----------|-----------|-------|-------|
| | Size mm | L | OD | ID |
| DSSB-CNT-CLN 1.5 | 1.5 | 20 | 3.70 | 1.80 |
| DSSB-CNT-CLN 2.5 | 2.5 | 20 | 4.00 | 2.40 |
| DSSB-CNT-CLN 4 | 4 | 20 | 4.80 | 3.10 |
| DSSB-CNT-CLN 6 | 6 | 25 | 5.50 | 3.80 |
| DSSB-CNT-CLN 10 | 10 | 30 | 6.20 | 4.50 |
| DSSB-CNT-CLN 16 | 16 | 40 | 7.10 | 5.40 |
| DSSB-CNT-CLN 20 | 20 | 40 | 7.70 | 6.00 |
| DSSB-CNT-CLN 25 | 25 | 45 | 8.80 | 6.80 |
| DSSB-CNT-CLN 35 | 35 | 45 | 10.60 | 8.20 |
| DSSB-CNT-CLN 50 | 50 | 50 | 12.40 | 9.50 |
| DSSB-CNT-CLN 70 | 70 | 55 | 14.70 | 11.20 |
| DSSB-CNT-CLN 95 | 95 | 60 | 17.40 | 13.50 |
| DSSB-CNT-CLN 120 | 120 | 65 | 19.40 | 15.00 |
| DSSB-CNT-CLN 150 | 150 | 70 | 21.20 | 16.50 |
| DSSB-CNT-CLN 185 | 185 | 75 | 23.50 | 18.50 |
| DSSB-CNT-CLN 240 | 240 | 80 | 26.50 | 21.00 |
| DSSB-CNT-CLN 300 | 300 | 85 | 30.00 | 23.50 |
| DSSB-CNT-CLN 400 | 400 | 90 | 34.80 | 26.80 |
| DSSB-CNT-CLN 500 | 500 | 100 | 39.00 | 31.70 |
| DSSB-CNT-CLN 630 | 630 | 110 | 45.00 | 35.00 |
| DSSB-CNT-CLN 800 | 800 | 150 | 50.60 | 39.00 |
| DSSB-CNT-CLN 1000 | 1000 | 165 | 56.20 | 43.00 |



A complete range of links ranging from 1.5mm to 1000mm

TIN PLATED COPPER CABLE LINKS (MV - with corona relief taper) (MS 1779:2005)

| Item Code | Conductor | Dimension | | |
|--------------------|-----------|-----------|-------|-------|
| | Size mm | FL | OD | ID |
| DSSB-CNT-CLMS 1.5 | 1.5 | 18 | 3.35 | 1.75 |
| DSSB-CNT-CLMS 2.5 | 2.5 | 18 | 3.90 | 2.30 |
| DSSB-CNT-CLMS 4 | 4 | 19 | 4.70 | 3.00 |
| DSSB-CNT-CLMS 6 | 6 | 20 | 5.30 | 3.60 |
| DSSB-CNT-CLMS 10 | 10 | 23 | 6.30 | 4.30 |
| DSSB-CNT-CLMS 16 | 16 | 30 | 7.80 | 5.60 |
| DSSB-CNT-CLMS 25 | 25 | 34 | 9.30 | 7.00 |
| DSSB-CNT-CLMS 35 | 35 | 38 | 10.80 | 8.40 |
| DSSB-CNT-CLMS 50 | 50 | 40 | 12.50 | 9.50 |
| DSSB-CNT-CLMS 70 | 70 | 45 | 14.40 | 11.20 |
| DSSB-CNT-CLMS 95 | 95 | 50 | 17.50 | 13.50 |
| DSSB-CNT-CLMS 120 | 120 | 54 | 20.00 | 15.60 |
| DSSB-CNT-CLMS 150 | 150 | 65 | 22.00 | 16.80 |
| DSSB-CNT-CLMS 185 | 185 | 68 | 24.00 | 19.00 |
| DSSB-CNT-CLMS 240 | 240 | 95 | 27.90 | 21.50 |
| DSSB-CNT-CLMS 300 | 300 | 100 | 31.80 | 24.40 |
| DSSB-CNT-CLMS 400 | 400 | 115 | 34.40 | 26.70 |
| DSSB-CNT-CLMS 500 | 500 | 120 | 38.60 | 30.00 |
| DSSB-CNT-CLMS 630 | 630 | 130 | 44.70 | 34.50 |
| DSSB-CNT-CLMS 800 | 800 | 150 | 50.60 | 39.00 |
| DSSB-CNT-CLMS 1000 | 1000 | 165 | 56.20 | 43.00 |



Manufacture from Copper Tube
(Soldered in the middle)

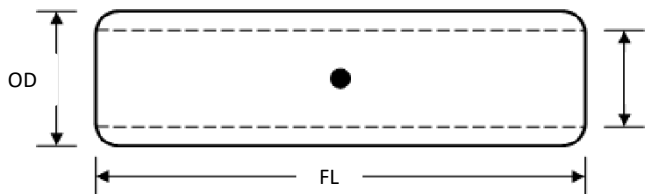
Other dimension on request

HEAVY DUTY ALUMINIUM CABLE LINK / ALUMINIUM CABLE FERRULE



| Item Code | Conductor | Dimension | | |
|-----------------------|-----------|-----------|----|------|
| | Size mm | FL | OD | ID |
| DSSB-CNT-LUG-ALNK16 | 16 | 90.5 | 16 | 5.5 |
| DSSB-CNT-LUG-ALNK25 | 25 | 90.5 | 16 | 6.5 |
| DSSB-CNT-LUG-ALNK35 | 35 | 90.5 | 16 | 8.0 |
| DSSB-CNT-LUG-ALNK50 | 50 | 106.5 | 20 | 9.0 |
| DSSB-CNT-LUG-ALNK70 | 70 | 106.5 | 20 | 11.0 |
| DSSB-CNT-LUG-ALNK95 | 95 | 106.5 | 20 | 12.5 |
| DSSB-CNT-LUG-ALNK120 | 120 | 133.0 | 25 | 13.7 |
| DSSB-CNT-LUG-ALNK150 | 150 | 133.0 | 25 | 15.5 |
| DSSB-CNT-LUG-ALNK185 | 185 | 143.5 | 32 | 17.0 |
| DSSB-CNT-LUG-ALNK240 | 240 | 143.5 | 32 | 19.5 |
| DSSB-CNT-LUG-ALNK300 | 300 | 218.0 | 40 | 23.3 |
| DSSB-CNT-LUG-ALNK400 | 400 | 218.0 | 40 | 26.0 |
| DSSB-CNT-LUG-ALNK500 | 500 | 218.5 | 47 | 29.1 |
| DSSB-CNT-LUG-ALNK630 | 630 | 218.5 | 47 | 32.5 |
| DSSB-CNT-LUG-ALNK800 | 800 | 300.0 | 60 | 39.0 |
| DSSB-CNT-LUG-ALNK1000 | 1000 | 300.0 | 60 | 43.0 |

Aluminium Purity: AL 99.5%



Notes:

- All dimensions are in mm.
- All dimensions are based on TNB Malaysia's requirements and approval
 - (Product Certification Acceptance obtained from TNB Research)
 - Other dimension customizations are available on request.

PURE COPPER TIN PLATED CABLE LINK

Specification:

Material: T2 / 99.95% Original Pure Copper

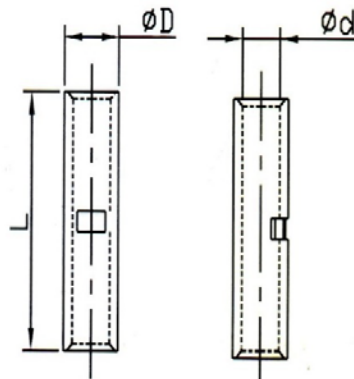
Finish: Tin Plated

Compliance:

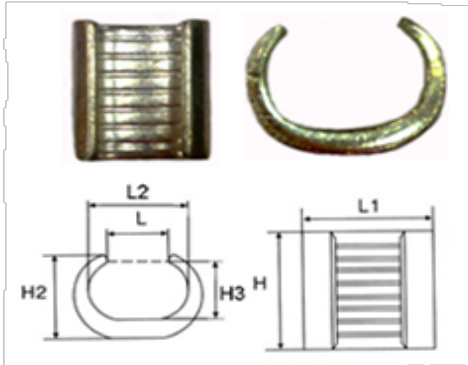
- *B.S. (British Standard)
- *JLS (Japan)
- *DIN (Germany)
- *ANSI (U.S.A.)



| ITEM CODE | SIZE (mm ²) | DIMENSION (mm) | | |
|-------------------------|-------------------------|----------------|------|-------|
| | | ØD | Ød | L |
| DSSB-CNT-LUG-LINK1.5 | 1.5 | 3.5 | 2.5 | 20.0 |
| DSSB-CNT-LUG-LINK2.5 | 2.5 | 4.0 | 3.0 | 20.0 |
| DSSB-CNT-LUG-LINK4.0 | 4.0 | 4.8 | 3.5 | 20.0 |
| DSSB-CNT-LUG-LINK6.0 | 6.0 | 5.5 | 4.1 | 25.0 |
| DSSB-CNT-LUG-SSLINK10.0 | 10.0 | 6.7 | 5.0 | 30.0 |
| DSSB-CNT-LUG-LINK16.0 | 16.0 | 7.5 | 5.8 | 35.0 |
| DSSB-CNT-LUG-LINK25.0 | 25.0 | 9.0 | 7.2 | 40.0 |
| DSSB-CNT-LUG-LINK35.0 | 35.0 | 10.5 | 8.5 | 45.0 |
| DSSB-CNT-LUG-LINK50.0 | 50.0 | 12.5 | 10.1 | 50.0 |
| DSSB-CNT-LUG-LINK70.0 | 70.0 | 14.5 | 11.7 | 55.0 |
| DSSB-CNT-LUG-LINK95.0 | 95.0 | 17.0 | 13.8 | 60.0 |
| DSSB-CNT-LUG-LINK120.0 | 120.0 | 19.5 | 15.9 | 65.0 |
| DSSB-CNT-LUG-LINK150.0 | 150.0 | 20.5 | 16.7 | 70.0 |
| DSSB-CNT-LUG-LINK185.0 | 185.0 | 23.5 | 19.1 | 75.0 |
| DSSB-CNT-LUG-LINK240.0 | 240.0 | 26.0 | 21.4 | 80.0 |
| DSSB-CNT-LUG-LINK300.0 | 300.0 | 30.0 | 24.6 | 85.0 |
| DSSB-CNT-LUG-LINK400.0 | 400.0 | 34.0 | 27.4 | 90.0 |
| DSSB-CNT-LUG-LINK500.0 | 500.0 | 38.0 | 30.8 | 100.0 |
| DSSB-CNT-LUG-LINK630.0 | 630.0 | 45.0 | 35.8 | 110.0 |



'C' CONNECTORS/ CLAMPS



- 'C' Type of connectors is made from copper at least 99.9%
- Finishing with tin-plated at least 3-microns
- Dimpled & serrated to obtain high pull-out value
- Chamfered edges designed to protect the wire

| Item Code | Conductor | L | L1 | L2 | H | H2 |
|------------------|-----------|------|------|------|------|----|
| DSSB-EA-CC-UT44 | 27-44 | 8.3 | 19 | 12.4 | 20 | 14 |
| DSSB-EA-CC-UT60 | 45-60 | 10.8 | 21.4 | 15.3 | 22.5 | 15 |
| DSSB-EA-CC-UT76 | 61-76 | 9.5 | 24 | 16.7 | 22.5 | 17 |
| DSSB-EA-CC-UT98 | 77-98 | 14.5 | 28 | 21.2 | 25 | 19 |
| DSSB-EA-CC-UT122 | 99-122 | 14 | 29.3 | 21.3 | 26 | 21 |
| DSSB-EA-CC-UT154 | 123-154 | 17 | 35 | 23.8 | 28 | 25 |
| DSSB-EA-CC-UT190 | 155-190 | 17 | 36.5 | 28.2 | 35 | 25 |
| DSSB-EA-CC-UT240 | 191-240 | 20 | 40 | 30.2 | 40 | 29 |
| DSSB-EA-CC-UT288 | 241-288 | 22 | 44 | 34.2 | 45 | 32 |
| DSSB-EA-CC-UT365 | 289-365 | 27.5 | 48 | 37.6 | 50 | 34 |
| DSSB-EA-CC-UT450 | 366-450 | 28 | 56.5 | 41.9 | 60 | 41 |
| DSSB-EA-CC-UT560 | 451-560 | 31 | 62 | 46 | 65 | 44 |

* All dimensions in mm

HYDRAULIC CRIMPING TOOLS



Model: DSSB CNT-CTHY-CP240
HEXAGON DIES: 16mm.sq. up to 240mm.sq.
Strokes: 16mm
Forces (Crimping): 80,000 N



Model: DSSB-CNT-CTHT-CP630
HEXAGON DIES: 185mm.sq. up to 630mm.sq.
Strokes: 28mm
Force (Crimping): 230,000 N

HAND-HELD CRIMPING TOOLS



Model: DSSB-CNT-CTHD-LY03C
For Insulated Terminal and Connectors

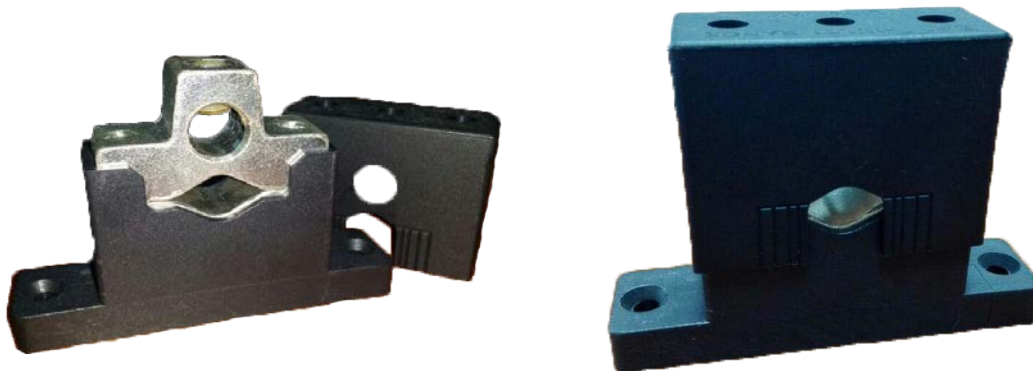
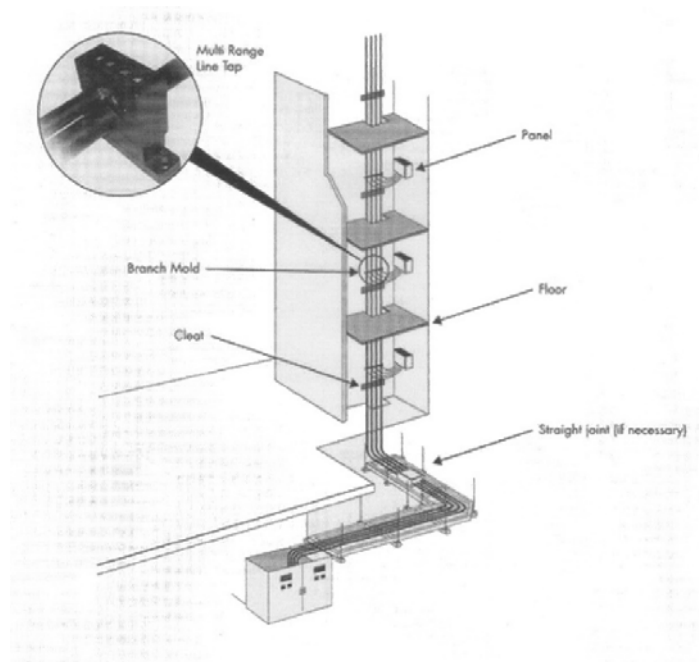
Applicable Range:
 ~ 0.5 - 6mm² AWG20-10
 ~ 0.5 - 1.5mm² AWG20-16
 ~ 2.5mm² AWG14
 ~ 4 - 6mm² AWG12-10

Weight: 0.6kg
Length: 230mm

MULTI RANGE LINE TAP FOR COPPER CABLES

| Item Code | ITEM | Conductor Sizes | |
|--------------------------|-------|----------------------|------------------------|
| | | Main mm ² | Branch mm ² |
| DSSB-ABC-MLT-B95240-1670 | BIG | 95-240 | 16-70 |
| DSSB-ABC-MLT-S50150-450 | SMALL | 50-150 | 4-50 |

Main cable from 95mm² - 240mm² and branch conductor from 16mm² - 70mm².
Simple two bolt clamping and pressing in one action.



CABLE LUGS (SINGLE HOLE PALM LUG)

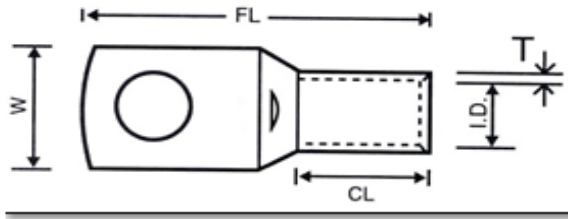
A complete range terminals, ranging from 1.5mm to 1000mm with cable inspection hole.

| Item Code | Ref. No. | Stud Size | Cu Cable |
|----------------------|----------|-----------|----------|
| | | mm | size mm |
| DSSB-CNT-LUG-SC106 | SC 10-6 | 6.5 | 10 |
| DSSB-CNT-LUG-SC108 | SC 10-8 | 8.4 | 10 |
| DSSB-CNT-LUG-SC166 | SC16-6 | 6.5 | 16 |
| DSSB-CNT-LUG-SC168 | SC16-8 | 8.4 | 16 |
| DSSB-CNT-LUG-SC1610 | SC16-10 | 10.5 | 16 |
| DSSB-CNT-LUG-SC256 | SC25-6 | 6.5 | 25 |
| DSSB-CNT-LUG-SC258 | SC25-8 | 8.4 | 25 |
| DSSB-CNT-LUG-SC2510 | SC25-10 | 10.5 | 25 |
| DSSB-CNT-LUG-SC358 | SC35-8 | 8.4 | 35 |
| DSSB-CNT-LUG-SC3510 | SC3510 | 10.5 | 35 |
| DSSB-CNT-LUG-SC3512 | SC35-12 | 13.0 | 35 |
| DSSB-CNT-LUG-SC508 | SC50-8 | 8.4 | 50 |
| DSSB-CNT-LUG-SC5010 | SC50-10 | 10.5 | 50 |
| DSSB-CNT-LUG-SC5012 | SC50-12 | 13.0 | 50 |
| DSSB-CNT-LUG-SC708 | SC70-8 | 8.4 | 70 |
| DSSB-CNT-LUG-SC7010 | SC70-10 | 10.5 | 70 |
| DSSB-CNT-LUG-SC7012 | SC70-12 | 13.0 | 70 |
| DSSB-CNT-LUG-SC9510 | SC95-10 | 10.5 | 95 |
| DSSB-CNT-LUG-SC9512 | SC95-12 | 12.5 | 95 |
| DSSB-CNT-LUG-SC12010 | SC120-10 | 10.5 | 120 |
| DSSB-CNT-LUG-SC12012 | SC120-12 | 13.0 | 120 |
| DSSB-CNT-LUG-SC12016 | SC120-16 | 17.0 | 120 |
| DSSB-CNT-LUG-SC15012 | SC150-12 | 13.0 | 150 |
| DSSB-CNT-LUG-SC15016 | SC150-16 | 17.0 | 150 |
| DSSB-CNT-LUG-SC18512 | SC185-12 | 13.0 | 185 |
| DSSB-CNT-LUG-SC18516 | SC185-16 | 17.0 | 185 |
| DSSB-CNT-LUG-SC24012 | SC240-12 | 13.0 | 240 |
| DSSB-CNT-LUG-SC24016 | SC240-16 | 17.0 | 240 |
| DSSB-CNT-LUG-SC24020 | SC240-20 | 21.0 | 240 |
| DSSB-CNT-LUG-SC30016 | SC300-16 | 17.0 | 300 |
| DSSB-CNT-LUG-SC30020 | SC300-20 | 21.0 | 300 |
| DSSB-CNT-LUG-SC40016 | SC400-16 | 17.0 | 400 |
| DSSB-CNT-LUG-SC40020 | SC400-20 | 21.0 | 400 |
| DSSB-CNT-LUG-SC50016 | SC500-16 | 17.0 | 500 |
| DSSB-CNT-LUG-SC50020 | SC500-20 | 21.0 | 500 |
| DSSB-CNT-LUG-SC63020 | SC630-20 | 21.0 | 630 |



Cable Connectors

LV SINGLE HOLE FIXING CABLE LUG



SPECIFICATION:

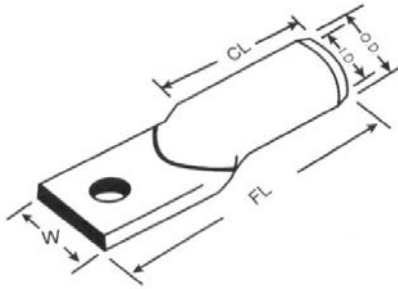
CRIMP TYPE FOR HEXAGON AND INDENT DIE
 HIGH CONDUCTIVITY COPPER: 99% I.A.C.S
 COPPER PURITY: 99.9%
 FINISHING: TIN PLATED
 "TYPE TESTED TO MS 1540:2002"

| Item Code | Conductor | FL | CL | ID | T | W |
|--------------------|--------------------------|-----|----|------|-----|------|
| DSSB-CA-LG-C50M12 | 50mm ² – M12 | 46 | 18 | 9.5 | 1.5 | 18 |
| DSSB-CA-LG-C95M12 | 95mm ² – M12 | 57 | 21 | 13.5 | 2 | 25 |
| DSSB-CA-LG-C150M12 | 150mm ² – M12 | 70 | 30 | 16.8 | 2.5 | 31.5 |
| DSSB-CA-LG-C300M12 | 300mm ² – M12 | 110 | 44 | 23.5 | 3.5 | 45 |

* All dimensions in mm

*Other sizes are available upon request

MV CABLE LUG FOR COPPER CONDUCTOR



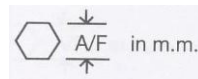
SPECIFICATION:

CRIMP TYPE FOR HEXAGON AND INDENT DIE
 HIGH CONDUCTIVITY COPPER: 99% I.A.C.S
 COPPER PURITY: 99.9%
 FINISHING: TIN PLATED
 CORONA RELIEF TAPER END FOR APPLICATION UP TO 33KV
 "COPPER TUBE COMPLIANT TO MS 1540:2002"

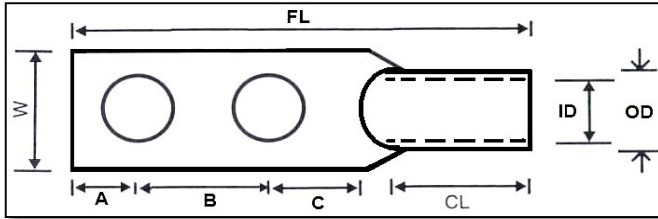
| Item Code | Conductor | FL | CL | ID | OD | W |
|-----------------------|--------------------------|-----|----|------|------|------|
| DSSB-CA-LG-C16M8-MV | 16mm ² – M8 | 35 | 13 | 5.6 | 7.8 | 12.0 |
| DSSB-CA-LG-C25M8-MV | 25mm ² – M8 | 48 | 20 | 7.0 | 7.0 | 13.5 |
| DSSB-CA-LG-C35M10-MV | 35mm ² – M10 | 52 | 21 | 8.4 | 8.4 | 16 |
| DSSB-CA-LG-C50M12-MV | 50mm ² – M12 | 56 | 22 | 9.5 | 12.5 | 20 |
| DSSB-CA-LG-C70M12-MV | 70mm ² – M12 | 63 | 25 | 11.2 | 14.4 | 20.5 |
| DSSB-CA-LG-C95M12-MV | 95mm ² – M12 | 66 | 25 | 13.5 | 17.5 | 25.0 |
| DSSB-CA-LG-C120M12-MV | 120mm ² – M12 | 73 | 27 | 14.6 | 19.0 | 28.0 |
| DSSB-CA-LG-C150M16-MV | 150mm ² – M16 | 78 | 30 | 16.4 | 21.4 | 31.5 |
| DSSB-CA-LG-C185M16-MV | 185mm ² – M16 | 82 | 32 | 18.5 | 23.7 | 35.0 |
| DSSB-CA-LG-C240M16-MV | 240mm ² – M16 | 115 | 50 | 21.0 | 27.4 | 40.0 |
| DSSB-CA-LG-C300M16-MV | 300mm ² – M16 | 121 | 50 | 23.5 | 30.5 | 45.0 |
| DSSB-CA-LG-C400M16-MV | 400mm ² – M16 | 139 | 60 | 26.7 | 34.4 | 50.0 |
| DSSB-CA-LG-C500M20-MV | 500mm ² – M20 | 158 | 65 | 30.0 | 38.6 | 55.0 |
| DSSB-CA-LG-C630M20-MV | 630mm ² – M20 | 161 | 65 | 34.5 | 44.7 | 64.0 |

* All dimensions in mm

*Other sizes are available upon request



DOUBLE HOLE FIXING CABLE LUG



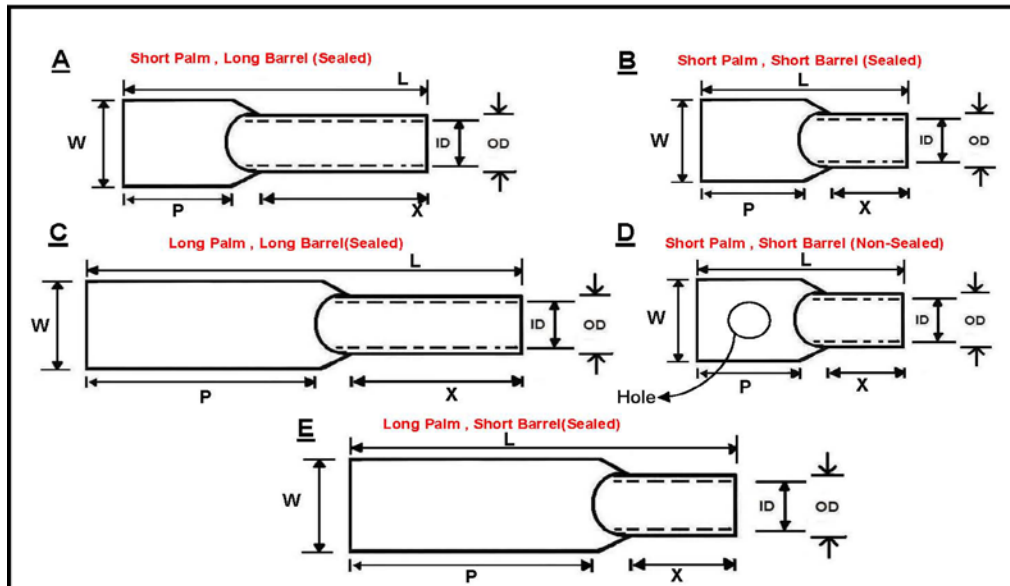
SPECIFICATION:

CRIMP TYPE FOR HEXAGON AND INDENT DIE
 HIGH CONDUCTIVITY COPPER: 99% I.A.C.S
 COPPER PURITY: 99.9%
 FINISHING: TIN PLATED
 CORONA RELIEF TAPER END FOR
 APPLICATION UP TO 33KV
 "COPPER TUBE COMPLIANT TO MS 1540:2002"

| Item Code | Size – Stud | A | B | C | W | OD | I.D. | FL | CL |
|-----------------------|--------------------------|----|----|----|----|------|------|-----|----|
| DSSB-CA-LG-C300M12-2h | 300mm ² – M12 | 14 | 45 | 16 | 45 | 30.5 | 23.5 | 154 | 50 |
| DSSB-CA-LG-C95NS(BL) | 95mm ² –BLANK | 16 | 45 | 18 | 25 | 17.5 | 13.5 | 118 | 25 |

CABLE LUGS

CRIMP TYPE FOR HEXAGON AND INDENT DIE
 HIGH CONDUCTIVITY COPPER: 99% I.A.C.S
 COPPER PURITY: 99.9%
 FINISHING: TIN PLATED
 "COPPER TUBE COMPLIANT TO MS 1540:2020"



| Size | Type | Dwg. | Code | P | W | O.D. | I.D. | L | X | Hole |
|--------------------|----------------|------|----------------------|------|------|------|------|-------|------|-------------|
| 300mm ² | Outdoor/Indoor | E | DSSB-CA-LG-300SSBLP | 80.0 | 45.0 | 31.4 | 24.4 | 160.0 | 50.0 | - |
| | Outdoor/Indoor | B | DSSB-CA-LG-300SSBSP | 45.0 | 45.0 | 31.4 | 24.4 | 125.0 | 50.0 | - |
| 400mm ² | Outdoor/Indoor | E | DSSB-CA-LG-400SLBSP | 86.0 | 50.0 | 34.4 | 26.7 | 175.0 | 60.0 | - |
| | Outdoor/Indoor | C | DSSB-CA-LG-400SLBLP | 86.0 | 50.0 | 34.4 | 26.7 | 196.0 | 80.0 | - |
| 500mm ² | Outdoor/Indoor | A | DSSB-CA-LG-500SLBSP | 60.0 | 55.0 | 38.6 | 30.0 | 182.0 | 90.0 | - |
| | Outdoor/Indoor | B | DSSB-CA-LG-500SSBSP | 60.0 | 55.0 | 38.6 | 30.0 | 157.0 | 65.0 | - |
| | Outdoor/Indoor | C | DSSB-CA-LG-500SLBLP | 90.0 | 55.0 | 38.6 | 30.0 | 210.0 | 90.0 | - |
| | Indoor Only | D | DSSB-CA-LG-500NSSBSP | 60.0 | 55.0 | 38.6 | 30.0 | 155.0 | 65.0 | 16.5 / 20.5 |
| 630mm ² | Outdoor/Indoor | A | DSSB-CA-LG-630SLBSP | 65.0 | 64.0 | 44.7 | 34.5 | 190.0 | 90.0 | - |
| | Outdoor/Indoor | B | DSSB-CA-LG-630SSBSP | 65.0 | 64.0 | 44.7 | 34.5 | 165.0 | 65.0 | - |
| | Outdoor/Indoor | C | DSSB-CA-LG-630SLBLP | 90.0 | 64.0 | 44.7 | 34.5 | 215.0 | 90.0 | - |
| | Indoor Only | D | DSSB-CA-LG-630NSSBSP | 65.0 | 64.0 | 44.7 | 34.5 | 165.0 | 65.0 | 16.5 / 20.5 |

* All dimensions in mm

BI- METAL CABLE LUG (COPPER- ALUMINIUM LUG)

| Item Code | Conductor Size (mm ²) | Stud Hole mm |
|---------------------|-----------------------------------|--------------|
| DSSB-CNT-LUG-BI16 | 16 | 11 |
| DSSB-CNT-LUG-BI25 | 25 | 11 |
| DSSB-CNT-LUG-BI35 | 35 | 11 |
| DSSB-CNT-LUG-BI50 | 50 | 13 |
| DSSB-CNT-LUG-BI70 | 70 | 13 |
| DSSB-CNT-LUG-BI95 | 95 | 13 |
| DSSB-CNT-LUG-BI120 | 120 | 13 |
| DSSB-CNT-LUG-BI150 | 150 | 13 |
| DSSB-CNT-LUG-BI185 | 185 | 13 |
| DSSB-CNT-LUG-B240 | 240 | 13 |
| DSSB-CNT-LUG-BI300 | 300 | 17.0 |
| DSSB-CNT-LUG-BI400 | 400 | 17 |
| DSSB-CNT-LUG-BI500 | 500 | 17 |
| DSSB-CNT-LUG-BI630 | 630 | 17.0 |
| DSSB-CNT-LUG-BI800 | 800 | blank |
| DSSB-CNT-LUG-BI1000 | 1000 | blank |



Tested to IEC 1238-1:1998

*All lugs are pre-filled with jointing compound, plugged and individually labeled.

*All dimensions are based on French Standard : **Standard De France HN 68-S-90 & TNB-MALAYSIA**

Manufactured from solid Aluminium and solid Copper, Friction Welded

For Hexagon Die and Indent Die

ONE BOLT COMPRESSION TERMINALS

For aluminium circular conductors

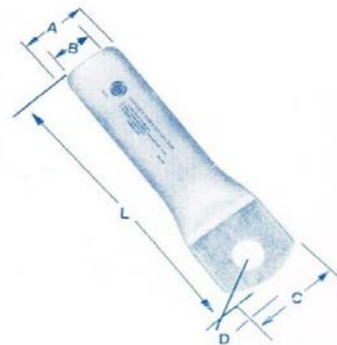
Die formed from thick walled aluminum tube-available with

Palm hole drilled to requirements

For Hexagon & Indent Die Aluminium : AL 99.5

All terminals are pre-filled with compound, plugged and individually labelled

"Belleville Washers" ensure constant bolt pressure on palm joint.



| Item Code | Conductor Size Area mm ² | Dimensions (mm) | | | | |
|----------------------|-------------------------------------|-----------------|-----|----|----|------|
| | | B | L | C | A | D |
| DSSB-CNT-LUG-EPT25M | 25 | 6.5 | 76 | 21 | 16 | 8.4 |
| DSSB-CNT-LUG-EPT50M | 50 | 9 | 91 | 27 | 20 | 13.2 |
| DSSB-CNT-LUG-EPT70M | 70 | 11.4 | 91 | 27 | 20 | 13.2 |
| DSSB-CNT-LUG-EPT95M | 95 | 12.5 | 91 | 27 | 20 | 13.2 |
| DSSB-CNT-LUG-EPT120M | 120 | 14.2 | 115 | 35 | 25 | 13.2 |
| DSSB-CNT-LUG-EPT150M | 150 | 15.5 | 115 | 35 | 25 | 13.2 |
| DSSB-CNT-LUG-EPT185M | 185 | 18.8 | 122 | 42 | 32 | 13.2 |
| DSSB-CNT-LUG-EPT240M | 240 | 19.5 | 122 | 44 | 32 | 13.2 |
| DSSB-CNT-LUG-EPT300M | 300 | 24.4 | 163 | 50 | 40 | 17 |
| DSSB-CNT-LUG-EPT400M | 400 | 26.0 | 163 | 55 | 40 | 17 |
| DSSB-CNT-LUG-EPT500M | 500 | 29.1 | 190 | 65 | 47 | 17 |

WIRE END CAP

| Item Code | Wire Size |
|-----------------|----------------------|
| DSSB-EC-VWV1.25 | 1.5mm ² |
| DSSB-EC-VWV2.0 | 2.5mm ² |
| DSSB-EC-VWV3.5 | 4.0mm ² |
| DSSB-EC-VWV5.5 | 6.0mm ² |
| DSSB-EC-VWV8.0 | 10.0mm ² |
| DSSB-EC-VWV14 | 16.0mm ² |
| DSSB-EC-VWV22 | 25/35mm ² |
| DSSB-EC-VWV38 | 50mm ² |
| DSSB-EC-VWV60 | 70mm ² |
| DSSB-EC-VWV80 | 95mm ² |
| DSSB-EC-VWV100 | 120mm ² |
| DSSB-EC-VWV125 | 150mm ² |
| DSSB-EC-VWV150 | 185mm ² |
| DSSB-EC-VWV200 | 240mm ² |
| DSSB-EC-VWV250 | 300mm ² |
| DSSB-EC-VWV325 | 400mm ² |
| DSSB-EC-VWV400 | 400mm ² |
| DSSB-EC-VWV500 | 500mm ² |
| DSSB-EC-VWV630 | 630mm ² |



ELECTRICAL JOINT COMPOUND (EJC / OXIDE INHIBITING CONTACT GREASE- GREY) 250G/TUBE

| Item Code | Per Tube |
|----------------------|----------|
| DSSB-CNT-GR-OIC250GY | 250G |

Electrical Contact Grease compound is formulated to improve jointing conductivity and inhibit oxidation and corrosion between jointing contact areas.

It is also suitable for Aluminium to Aluminium, and Aluminium to Copper compression or bolted joints.



ISOLATOR CONTACT GREASE- DELTA 122 G



Benefits

DELTA 122 G provides the following benefits:

- ~ vary wide operating temperature benefits
- ~ outstanding high and low temperature performance
- ~ extended relubrication intervals
- ~ excellent protection against fretting wear and corrosion
- ~ resistance to water washout
- ~ reduced energy consumption (low coefficient of friction)

Data Sheet

Low temperature grease for all types of bearings, spur gears and worm gears, as well as valves in compressed air breakers. It is suitable for lubricating silver-plated contacts in air (e.g., dis-connector contacts). It is also used for greasing nitrile o-rings and protection against fretting corrosion on circuit-breaker.

Product Description

DELTA 122 G is a high performance, high temperature anti-wear grease which combines the unique features of a synthetic base fluid with an organo-clay (non-soap) thickener. The wax-free nature of the synthetic base fluid, together with it's low coefficient of traction compared with minerals oils, provide excellent low temperature pumpability very low starting and running torque, and can reduce operating temperatures in the load zone of rolling element bearings. The clay thickener provides excellent thermal stability at high temperatures and DELTA 122 G has a high dropping point value of 260°C.

Delta Sama Jaya Sdn.Bhd.



DELTA SAMA JAYA
www.substation.com.my

We are constantly reviewing and updating our products,
for the latest information please call us on (+603) 9281 3778
or visit our website at: www.substation.com.my