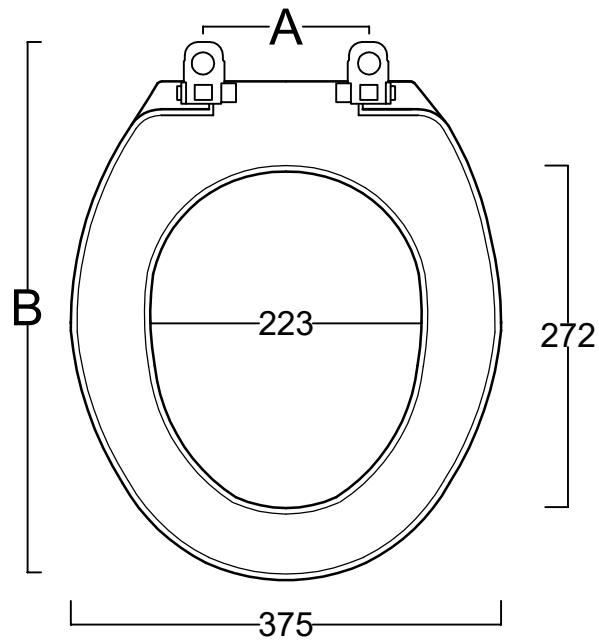


PRODUCT TECHNICAL DATA SHEET



	2P Hinge
A	155-170
B	440-450



		CODE	
	Non Soft Close	0	✓
	Soft Close	5	
	NSC Flap Hinge	1	
	2P Hinge	2	✓
	SUS Hinge	3	
	SUS Hinge	4	
	S Hinge	6	
	Flap Hinge	7	
	Slide Hinge	9	
	E Hinge	E	
	Bottom Mount Screw	0	✓
	Top Mount Screw -Nyl 13 mm	3	
	Top Mount Screw -Nyl 15 mm	5	
	Top Mount Screw -With Rubber Plug	9	
	Top Mount Screw -Full Stainless Steel	8	

Part Name		Rev No.	Date	Weight
TOILET SEAT COVER		1	23-10-2020	760g
Part No. Dwg No.		WSC100		Sheet
				1/1
Designed By	Checked By	Approved By		 Weserhoch Sdn Bhd
SALWA	MANOJ	KW WOON		

Note:
 -DIMENSIONAL TOLERANCE ±2mm
 -WEIGHT TOLERANCE ±5%
 Manufacturer may change product dimensions without prior notice.
 For confirmation, please refer to Weserhoch Sdn Bhd