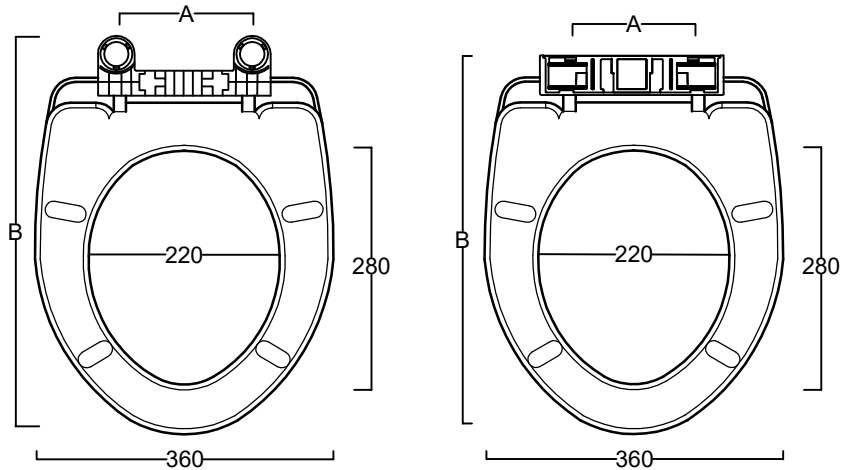


PRODUCT TECHNICAL DATA SHEET



	S Hinge
A	130-160
B	440-456

	Slide Hinge
A	130-180
B	425-440

		CODE	
	Non Soft Close	0	✓
	Soft Close	5	✓
	NSC Flap Hinge	1	
	2P Hinge	2	
	SUS Hinge	3	
	SUS Hinge	4	
	S Hinge	6	✓
	Flap Hinge	7	
	Slide Hinge	9	✓
	E Hinge	E	
	Bottom Mount Screw	0	
	Top Mount Screw -Nyl 13 mm	3	
	Top Mount Screw -Nyl 15 mm	5	
	Top Mount Screw -With Rubber Plug	9	✓
	Top Mount Screw -Full Stainless Steel	8	

Note:

-DIMENSIONAL TOLERANCE ±2mm
 -WEIGHT TOLERANCE ±5%
 Manufacturer may change product dimensions without prior notice.
 For confirmation, please refer to Weserhoch Sdn Bhd

Part Name		Rev No.	Date	Weight
TOILET SEAT COVER		1	23-10-2020	1770g
Part No.	Dwg No.			Sheet
WSCAXXX				1/1
Designed By	Checked By	Approved By	 Weserhoch Sdn Bhd	
SALWA	MANOJ	KW WOON		