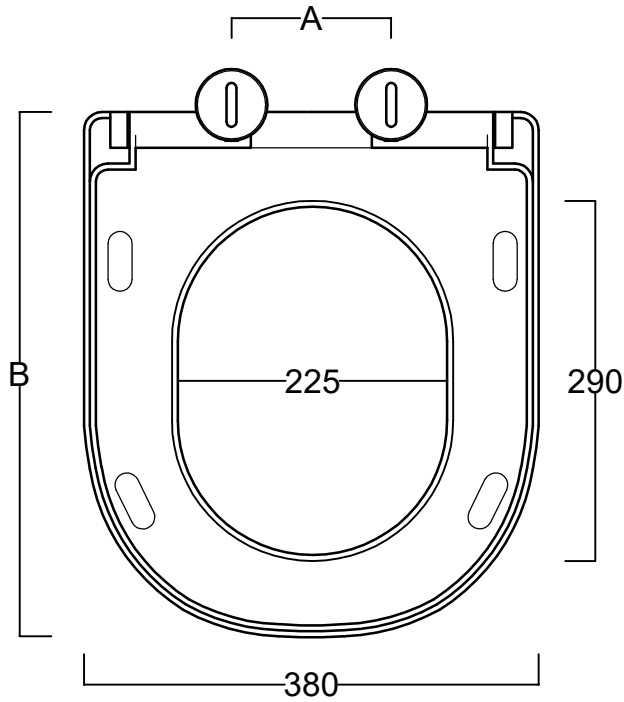


# PRODUCT TECHNICAL DATA SHEET



	SUS Hinge
A	105-270
B	385-470



		CODE	
	Non Soft Close	0	✓
	Soft Close	5	✓
	NSC Flap Hinge	1	
	2P Hinge	2	
	SUS Hinge	3	✓
	SUS Hinge	4	
	S Hinge	6	
	Flap Hinge	7	
	Slide Hinge	9	
	E Hinge	E	
	Bottom Mount Screw	0	
	Top Mount Screw -Nyl 13 mm	3	
	Top Mount Screw -Nyl 15 mm	5	
	Top Mount Screw -With Rubber Plug	9	✓
	Top Mount Screw -Full Stainless Steel	8	✓

**Note:**

-DIMENSIONAL TOLERANCE +2mm  
 -WEIGHT TOLERANCE +5%  
 Manufacturer may change product dimensions without prior notice.  
 For confirmation, please refer to Weserhoch Sdn Bhd

<i>Part Name</i> TOILET SEAT COVER		Rev No.	Date	Weight
		1	23-10-2020	1630g
<i>Part No.</i> <i>Dwg No.</i> WSCFXXX			Sheet	
			1/1	
Designed By	Checked By	Approved By		
SALWA	MANOJ	KW WOON		
			 Weserhoch Sdn Bhd	