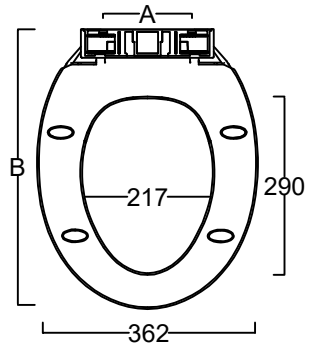
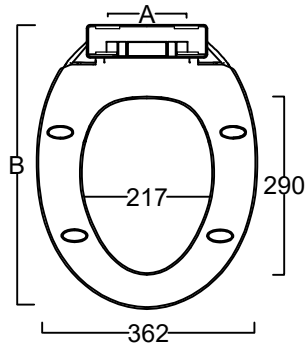


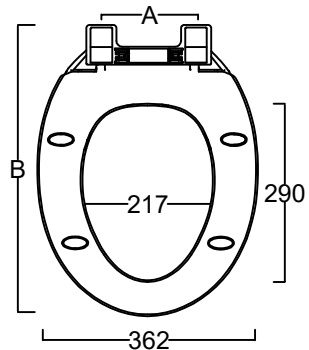
PRODUCT TECHNICAL DATA SHEET



Slide Hinge



Flap Hinge



E Hinge



	Slide Hinge	Flap Hinge	E Hinge
A	130-180	125-170	135-175
B	430-445	430-460	430-465

Note:
 -DIMENSIONAL TOLERANCE ±2mm
 -WEIGHT TOLERANCE ±5%
 Manufacturer may change product dimensions without prior notice.
 For confirmation, please refer to Weserhoch Sdn Bhd

		CODE	
	Non Soft Close	0	✓
	Soft Close	5	✓
	NSC Flap Hinge	1	
	2P Hinge	2	
	SUS Hinge	3	
	SUS Hinge	4	
	S Hinge	6	
	Flap Hinge	7	✓
	Slide Hinge	9	✓
	E Hinge	E	✓
	Bottom Mount Screw	0	✓
	Top Mount Screw -Nyl 13 mm	3	✓
	Top Mount Screw -Nyl 15 mm	5	
	Top Mount Screw -With Rubber Plug	9	✓
	Top Mount Screw -Full Stainless Steel	8	

Part Name		Rev No.	Date	Weight
TOILET SEAT COVER		1	23-10-2020	1490g
Part No. Dwg No.		WSC8XXX		Sheet
				1/1
Designed By	Checked By	Approved By		 Weserhoch Sdn Bhd
SALWA	MANOJ	KW WOON		