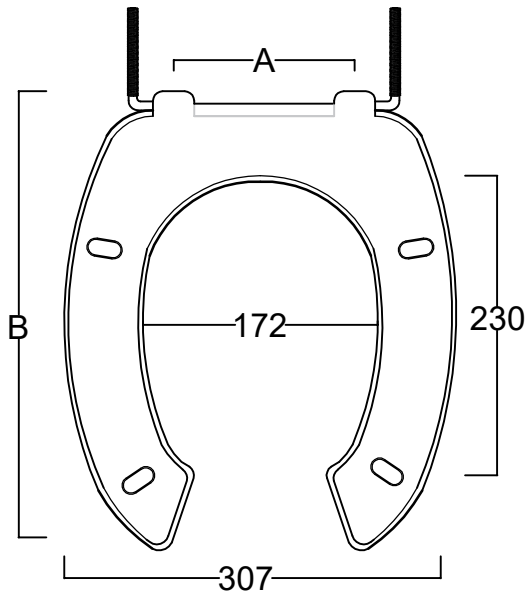


PRODUCT TECHNICAL DATA SHEET



	SUS Hinge
A	155
B	365



		CODE
	Non Soft Close	0
	Soft Close	5
	NSC Flap Hinge	1
	2P Hinge	2
	SUS Hinge	3
	SUS Hinge	4
	S Hinge	6
	Flap Hinge	7
	Slide Hinge	9
	E Hinge	E
	Bottom Mount Screw	0
	Top Mount Screw -Nyl 13 mm	3
	Top Mount Screw -Nyl 15 mm	5
	Top Mount Screw -With Rubber Plug	9
	Top Mount Screw -Full Stainless Steel	8

<i>Part Name</i>		Rev No.	Date	Weight
TOILET SEAT COVER		1	23-10-2020	478g
<i>Part No.</i>				Sheet
<i>Dwg No.</i>		WSCG04C		1/1
Designed By	Checked By	Approved By		 Weserhoch Sdn Bhd
SALWA	MANOJ	KW WOON		

Note:
 -DIMENSIONAL TOLERANCE ± 2mm
 -WEIGHT TOLERANCE ± 5%
 Manufacturer may change product dimensions without prior notice.
 For confirmation, please refer to Weserhoch Sdn Bhd