

# MANISCOPIC


**MT 1435**  
SL & SLT




- Maximum lifting height : 13.60 m
- Capacity : 3500 kg
- Maximum forward reach : 9.80 m
- Torque convertor
- Hydraulic stabilizers
- Frame levelling


 **MANITOU**


# MT 1435 SL/SLT


 **Lifting capacity** .....3500 kg  
 at 500 mm from forks heels.  
 Tipping load at maximum reach : .....1430 kg  
 Tear out force with toothed digging bucket  
 to ISO 8313-1986 with tilting ram .....7600 daN


 **Lifting height** : .....13.60 m  
**Times** : unladen/loaded (in s) Version Turbo  
 Lifting .....10.8/11.3  
 Lowering .....7.6/7.2  
 Simultaneous extension 1st and 2nd booms ...16.9/18  
 Simultaneous retraction 1st and 2nd booms ...14.5/13.8  
 Time unladen (in s)  
 Crowd .....4.2  
 Dump .....3.6


 **Tyres**  
 15.5/80-24


 **Forks (mm)**  
 Length .....1200  
 Width x thickness .....125 X 45  
 Maximum distance between forks .....1040  
 Carriage rotation .....124°


 **Multidisc brakes - hydraulically on both axles**

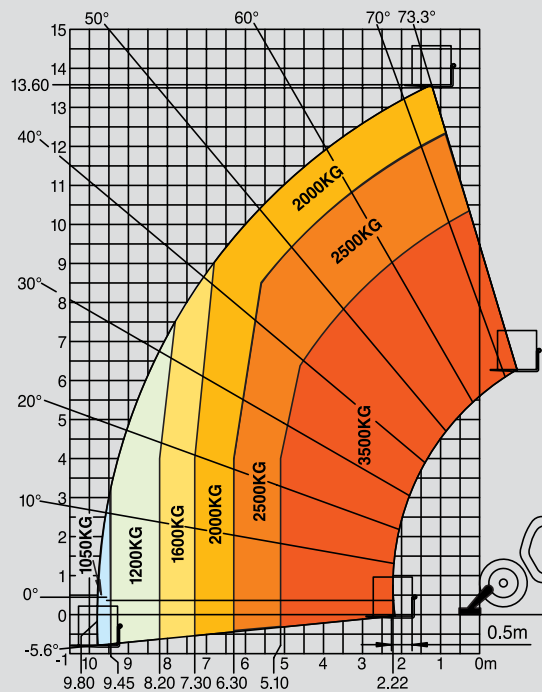
 **PERKINS Engine**  
 Type .....1104C.44/1104C.44 Turbo  
 Capacity ..... 4 cylindres - 4400 cm<sup>3</sup>  
 Power (ISO/TR 14396) : Atmo .....82 HP/61.5 kw  
 at 2200 rpm Turbo .....100 HP/74.5 kw  
 Maximum torque : Atmo .....302 Nm at 1400 rpm  
 Turbo .....412 Nm at 1400 rpm  
 Direct Injection  
 Water Cooling

 **Transmission** .....Torque convertor  
 Electro-hydraulic reversing shift  
 4 speeds forward and reverse  
 Maximum travel speed .....25 km/h

 **Hydraulics**  
 Lifting/tilting pump  
 gear type : Atmo .....260 bars/105 l/mn  
 Turbo .....260 bars/163 l/mn  
 Flow divider with priority to steering and brakes

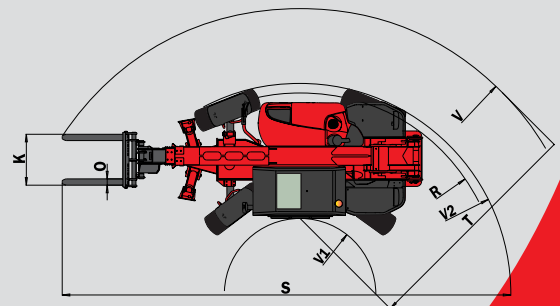
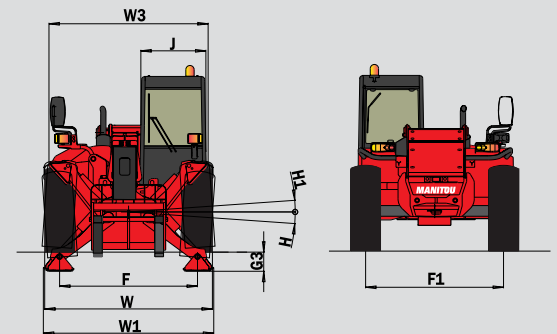
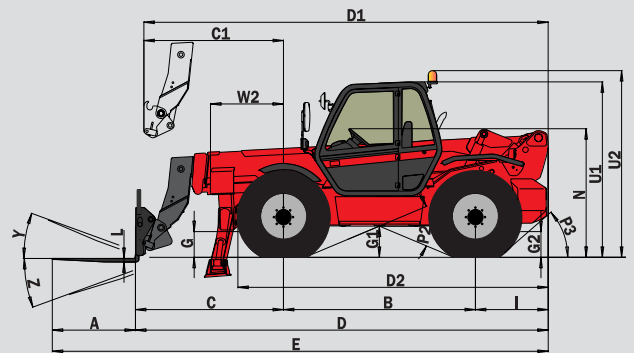
 **Capacities**  
 Cooling system .....18.5 l.  
 Engine oil .....11 l.  
 Hydraulic oil .....120 l.  
 Transmission oil .....15.1 l.  
 Fuel tank .....135 l.

 **Weight unladen (with forks)** .....10210 kg  
**Overall width** .....2.33 m  
**Overall width stabilizers extended** .....2.33 m  
**Overall height** .....2.58 m  
**Turning radius (outside wheels)** .....4.16 m  
**Length up to carriage** .....6.09 m  
**Ground clearance** .....0.45 m  
**Drawbar pull** .....7500/8600 daN



Under  
 EN 1459  
 annexe B

A	1200
B	2770
C	2269
C1	2348
D	6089
D1	6168
D2	4405
E	7289
F1	1916
G	450
G1	445
G2	450
G3	275
H	7°
H1	7°
I	1050
J	950
K	1040
L	45
N	1850
O	125
P2	45.5°
P3	40°
R	3950
S	9010
T	4355
U1	2575
U2	2755
V	5825
V1	1470
V2	4157
W	2330
W1	2320
W2	1125
W3	2035
Y	12°
Z	112°



This equipment described in this leaflet may be standard, optional, or unavailable, depending on the versions.  
 For more details, contact your MANITOU dealer.



**MANITOU BF SA**  
 B.P. 249 - 44158 Ancenis Cedex - France  
 Tél. : 33 2 40 09 10 11 / Export Department Fax : 33 2 40 09 10 97  
 www.manitou.com

700328EN

