



Rough Terrain
Self-Propelled
Scissor Lift

GS™-2668 RT
GS™-3268 RT

- Reliable rough terrain scissor lifts with superior gradeability and standard four-wheel drive.



Standard Features

- GS- 2668 RT has 32 ft (9.75 m) working height and GS-3268 RT has 38 ft (11.58 m) working height
- 60 in (1.52 m) roll-out platform extension
- 68 in (1.73 m) unit width
- 1,250 lb (567 kg) load capacity on the GS-2668 RT and 1,000 lb (454 kg) load capacity on the GS-3268 RT
- Four-wheel drive
- High-speed/high-torque selector switch
- Proportional drive/lift

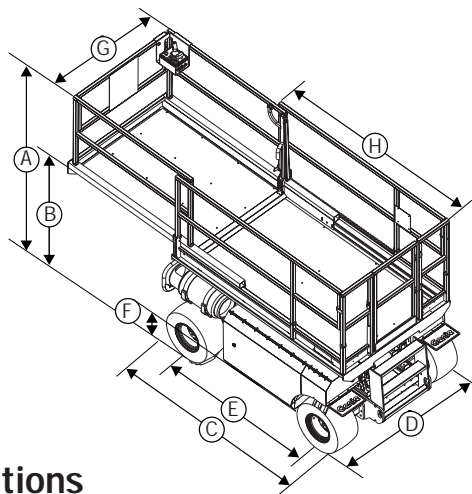
- Multiple disc brakes
- On-board diagnostic system
- Emergency stop switches at platform and ground controls
- Manual brake release
- Manual platform lowering valve
- Full height platform swing gate
- Swing-out engine tray
- Foam-filled rough terrain tires
- AC wiring to platform
- Tilt sensor with an audible alarm
- Automotive horn
- Hour meter

Options and Accessories

- Automatic leveling hydraulic outriggers
- Motion alarm
- 2,000 watt AC generator
- Air line to platform
- Platform work lights
- Spare propane tank
- Dual flashing beacon
- Oil cooler

Standards Compliance

- ANSI/SIA A92.6
- CSA CAN3-B354.2-M82
- CE compliance option
- AS 1418.10



Specifications

Model	GS-2668 RT		GS-3268 RT	
	US	Metric	US	Metric
Working height*	32 ft	9.9 m	38 ft	11.75 m
Platform height	26 ft	7.9 m	32 ft	9.75 m
(A) Height - stowed (guardrails)	91 ½ in	2.32 m	96 ½ in	2.45 m
(A) Height - stowed (platform)	67 in	1.7 m	72 in	1.83 m
(B) Height - stowed (platform)	46 ¾ in	1.19 m	51 ¾ in	1.31 m
(C) Length				
stowed	105 in	2.67 m	105 in	2.67 m
platform extended	161 ½ in	4.1 m	161 ½ in	4.1 m
(D) Width	68 in	1.73 m	68 in	1.73 m
(E) Wheelbase	73 in	1.85 m	73 in	1.85 m
(F) Ground clearance	7 ½ in	19 cm	7 ½ in	19 cm
(G) Platform width	61 in	1.55 m	61 in	1.55 m
(H) Platform length				
stowed	99 in	2.5 m	99 in	2.5 m
extended	156 in	3.96 m	156 in	3.96 m
Roll-out platform extension	60 in	1.52 m	60 in	1.52 m
Lift capacity	1,250 lb	567 kg	1,000 lb	454 kg
Extension deck capacity	300 lb	136 kg	300 lb	136 kg
Turning radius - outside	145 in	3.68 m	145 in	3.68 m
Turning radius - inside	60 in	1.52 m	60 in	1.52 m
Power source	Kubota 23 hp (17 kw) Gas/LPG, both models Kubota 20 hp (15 kw) Diesel, both models Perkins 26 hp (19 kw) Diesel, both models			
Drive speed - stowed	3.6 mph	5.8 km/h	3.6 mph	5.8 km/h
Drive speed - raised	0.5 mph	0.8 km/h	0.5 mph	0.8 km/h
Raise/lower speed	30/35 sec		40/37 sec	
Controls	proportional drive/lift		proportional drive/lift	
Tires	12-23 ½ in 30-60 cm		12-23 ½ in 30-60 cm	
Gradeability	40%		35%	
Drive	four wheel, both models			
Multiple disc brakes	dual rear wheel, both models			
Hydraulic tank capacity	16.5 gal	62 litre	16.5 gal	62 litre
Fuel tank capacity	15 gal	57 litre	15 gal	57 litre
Weight**	6,583 lb	2,986 kg	8,090 lb	3,670 kg

* The metric equivalent of working height adds 2 m to platform height. U.S. adds 6 ft to platform height.
** Weight will vary depending on options and/or country standards.

Distributed By:

Genie Industries

GENIE UNITED STATES
18340 NE 76th Street
P.O. Box 97030
Redmond, Washington 98073-9730
Telephone (425) 881-1800
Toll Free in USA/Canada 800-536-1800
Fax (425) 883-3475
http://www.genieindustries.com

GENIE UNITED KINGDOM
The Maltings, Wharf Road
Grantham
Lincolnshire NG31 6BH
England
Telephone: +44 (0)1476 584333
Fax: +44 (0)1476 584334
http://www.genieindustries.com