

# HEIGHT GAUGES

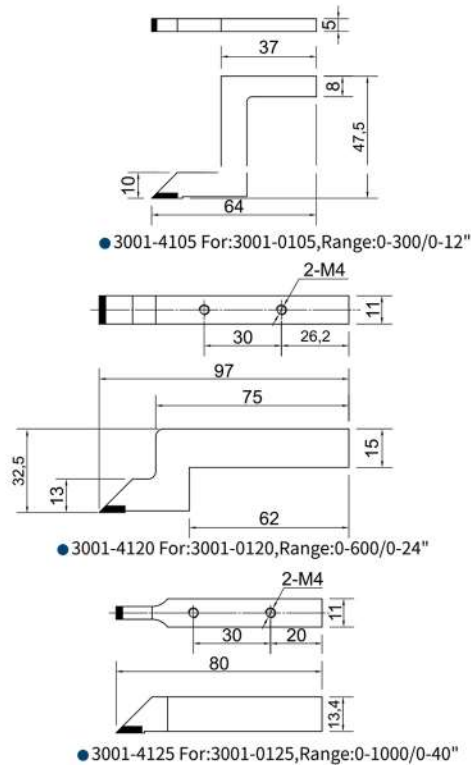
BORN IN ITALY, RAISED BY THE WORLD



# VERNIER HEIGHT GAUGE

MADE OF STAINLESS STEEL

- Designed for scribing from a vertical base
- Stain chrome finished scales for glare-free reading
- At zero-position the scriber coincides exactly with the base
- Carbide tipped scriber for sharp, clean lines
- Beam and slider are made of stainless steel
- Dustproof shield optional



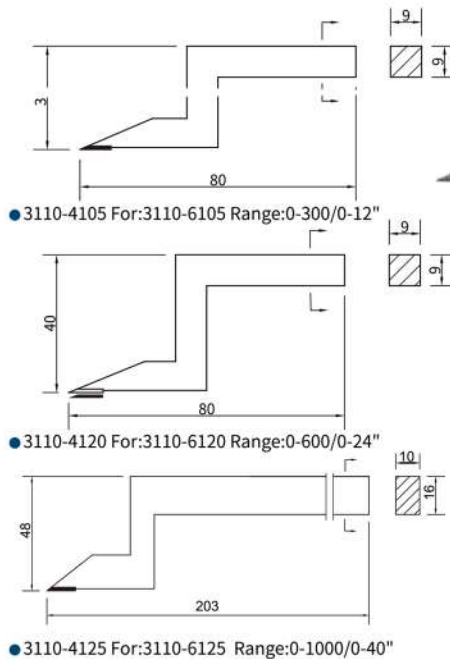
Unit:mm

| Code      | Range        | Graduation  | Accuracy       |
|-----------|--------------|-------------|----------------|
| 3001-0105 | 0-300/0-12"  | 0.02/0.001" | ±2Graduation   |
| 3001-0120 | 0-600/0-24"  | 0.02/0.001" | ±3.5Graduation |
| 3001-0125 | 0-1000/0-40" | 0.02/0.001" | ±3.5Graduation |

# HEIGHT GAUGE WITH MAGNIFIER

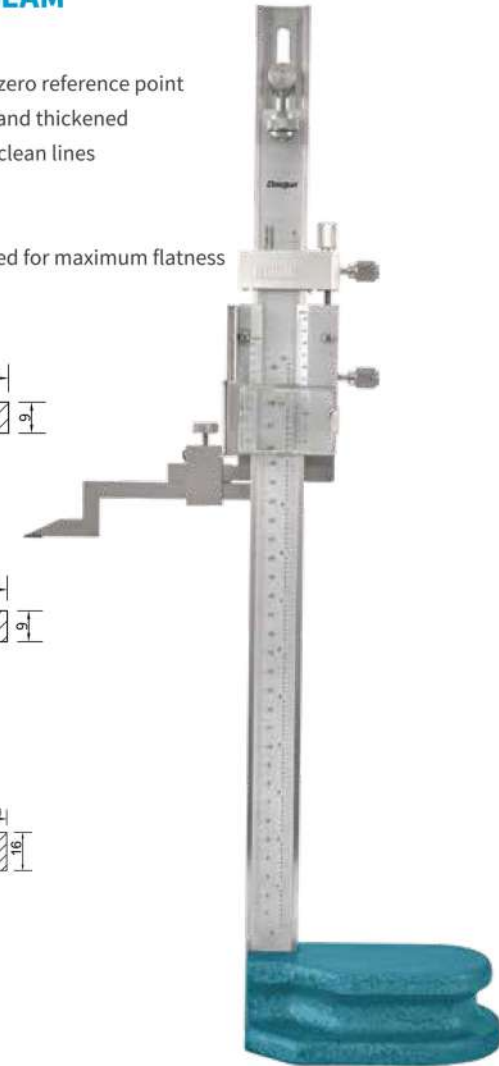
WITH ADJUSTABLE MAIN BEAM

- Magnifier for easier reading
- Adjustable main beam to set the zero reference point
- Made of stainless steel, widened and thickened
- Carbide tipped scriber for sharp, clean lines
- With fine adjustment
- Satin chrome-finished scales
- Base hardened, ground and lapped for maximum flatness
- Dustproof shield optional



Unit:mm

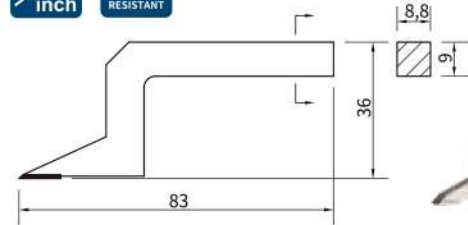
| Code      | Range        | Graduation  | Accuracy |
|-----------|--------------|-------------|----------|
| 3110-6105 | 0-300/0-12"  | 0.02/0.001" | ±0.03    |
| 3110-6120 | 0-600/0-24"  | 0.02/0.001" | ±0.06    |
| 3110-6125 | 0-1000/0-40" | 0.02/0.001" | ±0.06    |





## IP65 WATER PROOF HEAVY DUTY DIGITAL HEIGHT GAUGE

- With large and smooth slider-feed wheel to greatly improve the measuring accuracy
- Carbide tipped scriber for sharp, clean lines
- Made of stainless steel, widened and thickened
- With SPC data output
- Rigid, heavy duty beam and base
- Dustproof shield optional



- 3130-4103 For:3130-4703 Range:0-300/0-12"
- 3130-4103 For:3130-4716 Range:0-600/0-24"
- 3130-4103 For:3230-4705 Range:0-300/0-12"
- 3130-4103 For:3230-4710 Range:0-600/0-24"



Unit:mm

| Code      | Range       | Resolution     | Accuracy     |
|-----------|-------------|----------------|--------------|
| 3130-4703 | 0-300/0-12" | 0.001/0.00005" | 0.02/0.0008" |
| 3130-4716 | 0-600/0-24" | 0.001/0.00005" | 0.04/0.0015" |

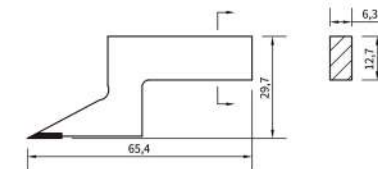
### WITH WIRELESS TRANSMISSION

Unit:mm

| Code      | Range       | Resolution     | Accuracy     |
|-----------|-------------|----------------|--------------|
| 3230-4705 | 0-300/0-12" | 0.001/0.00005" | 0.02/0.0008" |
| 3230-4710 | 0-600/0-24" | 0.001/0.00005" | 0.04/0.0015" |

## DIGITAL HEIGHT GAUGE WITH ABSOLUTE LINEAR ENCODER

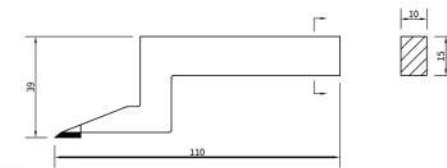
- Built-in absolute liner encoder, no need to set the reference point at every power-on
- Carbide tipped scriber for sharp, clean lines
- With SPC data output
- Large, easy-to-read LCD display
- Rigid, heavy duty beam and base
- Dustproof shield optional



- 3130-4115 For:3130-8115 Range:0-300/0-12"



- 3130-4125 For:3130-8125 Range:0-600/0-24"



- 3130-4130 For:3130-8130 Range:0-1000/0-40"
- 3130-4130 For:3130-8135 Range:0-1500/0-60"
- 3130-4130 For:3130-8140 Range:0-2000/0-80"

Unit:mm

| Code      | Range        | Resolution   | Accuracy |
|-----------|--------------|--------------|----------|
| 3130-8115 | 0-300/0-12"  | 0.01/0.0005" | ±0.04    |
| 3130-8125 | 0-600/0-24"  | 0.01/0.0005" | ±0.05    |
| 3130-8130 | 0-1000/0-40" | 0.01/0.0005" | ±0.07    |
| 3130-8135 | 0-1500/0-60" | 0.01/0.0005" | ±0.11    |
| 3130-8140 | 0-2000/0-80" | 0.01/0.0005" | ±0.14    |

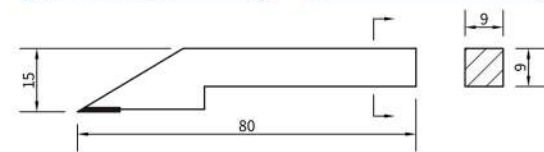




# DOUBLE-BEAM DIAL HEIGHT GAUGE

## WITH DIGIT COUNTER

- Provided with a dial and two digit counters for more accurate reading
- Double-beam ensures higher measuring accuracy
- One counter reads in the plus direction and the other reads in the minus direction
- With a feed wheel on the back
- Carbide tipped scriber for sharp, clean lines
- Both counters and dial can be re-zeroed at any scriber position
- Base hardened, ground and lapped for maximum flatness
- Dustproof shield optional



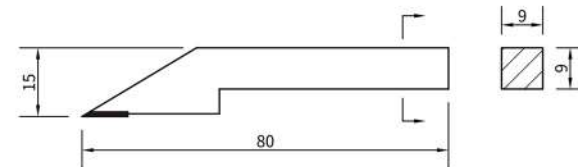
- 3230-4105 For:3221-1105 Range:0-300
- 3230-4105 For:3221-1110 Range:0-500
- 3230-4105 For:3221-1115 Range:0-600
- 3230-4105 For:3221-1120 Range:0-1000
- 3230-4105 For:3222-4205 Range:0-12"
- 3230-4105 For:3222-4210 Range:0-20"
- 3230-4105 For:3222-4215 Range:0-24"
- 3230-4105 For:3222-4220 Range:0-40"

Unit:mm

| Code      | Range  | Graduation | Counter Resolution | Accuracy |
|-----------|--------|------------|--------------------|----------|
| 3221-1105 | 0-300  | 0.01       | 1                  | ±0.04    |
| 3221-1110 | 0-500  | 0.01       | 1                  | ±0.05    |
| 3221-1115 | 0-600  | 0.01       | 1                  | ±0.05    |
| 3221-1120 | 0-1000 | 0.01       | 1                  | ±0.07    |
| 3222-4205 | 0-12"  | 0.001"     | 0.1"               | ±0.0015" |
| 3222-4210 | 0-20"  | 0.001"     | 0.1"               | ±0.002"  |
| 3222-4215 | 0-24"  | 0.001"     | 0.1"               | ±0.002"  |
| 3222-4220 | 0-40"  | 0.001"     | 0.1"               | ±0.0030" |

# DOUBLE-BEAM DIGITAL HEIGHT GAUGE

- Double-beam ensures higher measuring accuracy
- Long carbide tipped scriber for sharp, clean lines
- Rigid, heavy duty construction for industry use
- With SPC data output
- With a feed wheel on the back
- Base hardened, ground and lapped for maximum flatness
- Zero-setting at any position
- Dustproof shield optional



- 3230-4105 For:3230-8105 Range:0-300/0-12"
- 3230-4105 For:3230-8110 Range:0-500/0-20"
- 3230-4105 For:3230-8115 Range:0-600/0-24"
- 3230-4105 For:3230-8116 Range:0-1000/0-40"

Unit:mm

| Code      | Range        | Resolution  | Accuracy |
|-----------|--------------|-------------|----------|
| 3230-8105 | 0-300/0-12"  | 0.01/0.001" | ±0.04    |
| 3230-8110 | 0-500/0-20"  | 0.01/0.001" | ±0.05    |
| 3230-8115 | 0-600/0-24"  | 0.01/0.001" | ±0.05    |
| 3230-8116 | 0-1000/0-40" | 0.01/0.001" | ±0.07    |