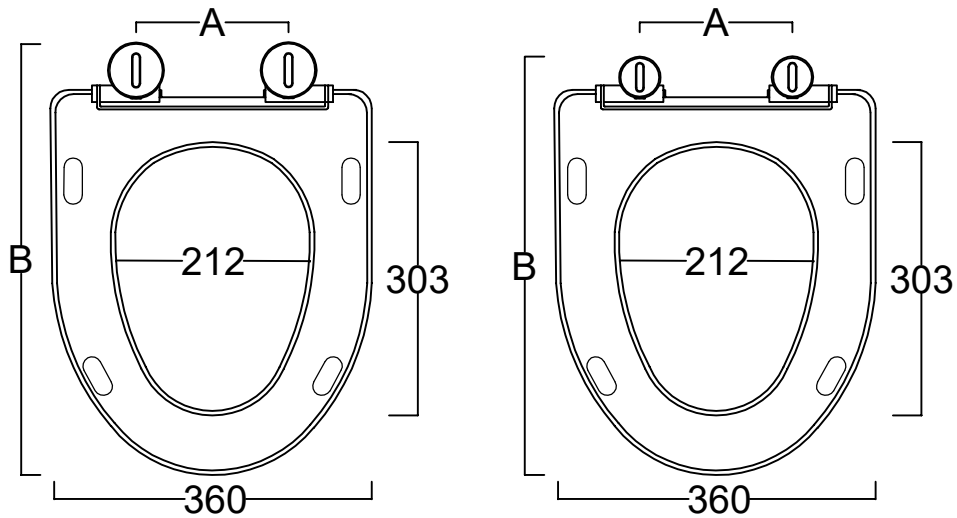


PRODUCT TECHNICAL DATA SHEET



	SCH3 & SCH5 Hinge
A	85-220
B	449-475

	SCH4 Hinge
A	95-135
B	447-460

		CODE	
	Non Soft Close	0	✓
	Soft Close	5	✓
	NSC Flap Hinge	1	
	2P Hinge	2	
	SUS Hinge (Glossy)	3	✓
	SUS Hinge (45mm)	4	✓
	SUS Hinge (Matt)	5	✓
	S Hinge	6	
	Flap Hinge	7	
	Slide Hinge	9	
	E Hinge	E	
	Bottom Mount Screw	0	
	Top Mount Screw -Nyl 13 mm	3	
	Top Mount Screw -Nyl 15 mm	5	
	Top Mount Screw -Nyl 17 mm	6	✓
	Top Mount Screw -With Rubber Plug	9	✓
	Top Mount Screw -Full Stainless Steel	8	✓

Part Name	Rev No.	Date	Weight
TOILET SEAT COVER	1	12-06-2021	1608g
Part No. Dwg No.	WSCHXXX		Sheet
			1/1
Designed By	Checked By	Approved By	 WESERHOCH SDN BHD
SALWA	MANOJ	KW WOON	

Note:
 DIMENSIONAL TOLERANCE ±2mm
 WEIGHT TOLERANCE ±5%
 Manufacturer may change product dimensions without prior notice.
 For confirmation, please refer to Weserhoch Sdn bhd