



**STORAGE HUB // E77 'PREMIUM'**



## OUR STRONGEST, SAFEST MODULAR TOOL TROLLEY

The E77 Premium Storage HUB combines top of the line safety with innovative design to meet the needs of people working in heavy-duty environments. The innovative, strong case is a key element at the core of the E77. Its exclusive style and ingenious safety features—from anti-tilting drawers with individual shock-protecting bumpers to precision wheels with a cutting-edge dual-braking system—set it apart as a premium solution. With modular functionality, it can also be combined with a large range of innovative accessories that can be attached to the top, side and bottom of the trolley, to simplify your work and improve efficiency. It is a perfect combination of convenience, safety and top performance.





## DRAWER CONFIGURATION

6-DRAWERS



7-DRAWERS



8-DRAWERS



9-DRAWERS



## COLOURS

NO. DRAWERS	6	7	8	9
ORANGE RAL2009	1477K6	1477K7	1477K8	1477K9
GREY RAL9022	1477K6GREY	1477K7GREY	1477K8GREY	1477K9GREY
BLACK RAL9005	1477K6BLACK	1477K7BLACK	1477K8BLACK	1477K9BLACK

### More colours?

Design your own storage solution with our BETMS configurator. Ask your dealer for more information.



SAFETY

E77



#### User-friendly handle

The solid steel pushbar has a thermoplastic handle to provide a safe grip, even in cold conditions. This user-friendly handle is U-shaped to ensure a natural position.

## DRAWER **INDIVIDUAL** **SHOCK-PROTECTING** CORNER **BUMPERS**

#### Shock-protecting corner bumpers

The robust, individual drawer bumpers are made of fibre-strengthened plastic and can easily take a bump – even when the drawers are open. The rounded design with no sharp edges minimises the chance of user injuries and damage to surrounding objects.



PIVOTING  
LATCHING  
SYSTEM



### Open drawers without tilting risk

The unique 1DAAT-system ensures that only one drawer can be opened at a time and prevents the trolley from falling over unexpectedly. The drawers stay shut automatically when the trolley is being moved thanks to the new pivoting latching system.





**STORAGE HUB E77 'PREMIUM'**

**COLOUR:** ORANGE RAL2009

**ACCESSORIES:** COMPOSITE BENCH TOP

BAHCO

E77

BAHCO



## INNOVATIVE DUAL-BRAKING SYSTEM

### Safe and secure dual-braking system

The brake on each of the two swivel wheels secures the trolley solidly to the ground, preventing movement in any direction.



### Interchangeable bench tops

The removable central section lets you modify your bench top and adapt your trolley to varying working conditions. The interchangeable bench tops are available in composite, chestnut wood, MDF and stainless steel. The composite bench top can withstand the most common lubricants.

## ENDLESS VARIATION WITH THE MODULAR TOP

We have created the perfect tool trolley by combining a heavy-duty structure, a composite soft-touch finish and modular expansion abilities.







### **Modular attachment system**

For the easy addition of accessories, unique guiding poles and mounting clamps have been developed specially for the Storage HUB E77 'PREMIUM'. This modular attachment system lets you create the most personal tool trolley.



### **Quick storage capacity**

The side compartments on top of the Storage HUB E77 'PREMIUM' have built-in chambers for fast storage capacity, like screwdrivers and other hand tools.



# BAHCO



LOAD  
CAPACITY UP  
TO 1,000 KG.

### Smooth and stable wheels

With its innovative precision wheels, the trolley is very stable and rolls comfortably, even on irregular surfaces. The rubber wheels will leave no floor marking, are resistant to most common lubricants and have a static load capacity up to 1,000 kg.





### Drawers which can open fully

Thanks to the sliders with ball bearings, the drawers glide very smoothly, can open all the way and have a capacity of up to 45 kg.



DRAWER  
CAPACITY UP  
TO 45 KG.



150,000  
CYCLES





PERFORMANCE



**The key to ultimate security**

The round master-locking system protects the tool trolley against theft and comes standard with the Storage HUB E77 'PREMIUM'. The compact key holder contains a spare key.

.....

Bahco Xpand accessories contains three different upgrades for your master-locking system.



## EXTRA STORAGE? NO PROBLEM!

Expand your Storage HUB E77 'PREMIUM' with the special E87 Top-chest to provide even more storage capacity. The Top-chest is available with 4 drawers and in 3 different colours.

+++++ +++++ ++

### Add-on solutions on top of the top!

With the Top-chest on top of your trolley, you can still add a variety of Bahco Xpand accessories.

## COLOURS

NO. DRAWERS	4
ORANGE RAL2009	1487K4
GREY RAL9022	1487K4GREY
BLACK RAL9005	1487K4BLACK



### More colours?

Design your own storage solution with our BETMS configurator. Ask your dealer for more information.





**STORAGE HUB E77 'PREMIUM'**

**COLOUR:** BLACK RAL9005

**ACCESSORIES:** COMPOSITE BENCH TOP, SPRAY CANISTER HOLDER, ROLL HOLDER

## PRODUCT DETAILS

SIZE:	26"
WEIGHT:	6 drawers: 65 kg
	7 drawers: 70 kg
	8 drawers: 74 kg
	9 drawers: 78 kg
LOADING CAPACITY:	1,000 kg
DRAWER CAPACITY:	Up to 45 kg
COLOURS:	Orange, Black or Grey
NO. DRAWERS:	6 / 7 / 8 / 9
UPGRADES:	4 drawer top chest
CUSTOMIZABLE:	Yes (BETMS Configurator)
LOCKING SYSTEM:	Standard Master key. Optional: MIFARE / PIN lock

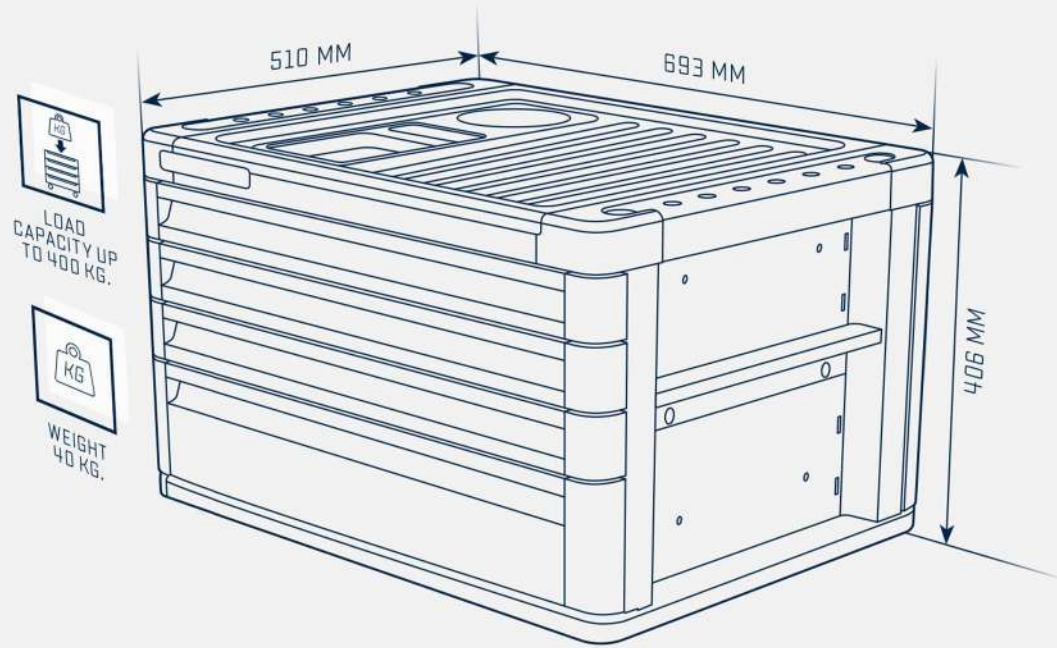




## XPAND ACCESSORIES

REMOVABLE GUIDING POLE LONG	Modular anti-rust coated steel pole	1477K-AC28
REMOVABLE GUIDING POLE SHORT	Modular anti-rust coated steel pole	1477K-AC29
SOLID CLAW AND RING MOUNTING	Reinforced plastic with metal fastening	1477K-AC11
INTERCHANGEABLE BENCH TOPS	Composite / Chestnut wood / MDF / Stainless steel	1477K-ACTP / 1477K-ACTW / 1477K-ACTD / 1477K-ACTSS
LAPTOP BOARD	Pivoting anti-rust coated steel shelf for up to 17" laptops	1477K-AC15
WORK DOCUMENT BOARD	360° adjustable steel holder	1477K-AC14
BOTTOM DRAWER	Composite (load capacity: 20 kg)	1477K-AC10
JACKET HOLDER	Anti-rust coated steel body	1477K-AC17
WINDSHIELD SUPPORTS	Kit of 4 steel receivers with rubber caps	1477K-AC16
TOP TOOL PANEL	Anti-rust coated steel body for adding BAHCO hooks range	1477K-AC12
TOP SIDE TOOL PANEL	Anti-rust coated steel body for adding BAHCO hooks range	1477K-AC13
PIN CODE LOCKING SYSTEM	Battery powered numeric access control	1477K-AC24
MIFARE LOCKING SYSTEM	Battery powered ID card access control	1477K-AC25
SIDE TOOL PANEL	Anti-rust coated steel body for adding BAHCO hooks range	1477K-AC22
HOOK SYSTEM	19 different hook types available	1495TP-
DOCUMENT HOLDER	Anti-rust coated steel body	1477K-AC19
SPRAY CANISTER HOLDER	Anti-rust coated steel body	1477K-AC20
ROLL HOLDER	Anti-rust coated steel body	1477K-AC18
POWERTOOL HOLDER	Anti-rust coated steel body	1477K-AC21
MASTER-KEY UPGRADE	1 key to lock multiple tool trolleys	1477K-MASTERKEY





## PRODUCT DETAILS

SIZE:	26"
WEIGHT:	40 kg
LOADING CAPACITY:	400 kg
DRAWER CAPACITY:	up to 45 kg
COLOURS:	Orange, Black or Grey
NO. DRAWERS:	4
CUSTOMIZABLE:	Yes (BETMS Configurator)
LOCKING SYSTEM:	Standard Master key. Optional: MIFARE / PIN lock



## XPAND ACCESSORIES

INTERCHANGEABLE BENCH TOPS	Composite / Chestnut wood / MDF / Stainless steel	1477K-ACTP / 1477K-ACTW / 1477K-ACTD / 1477K-ACTSS
MASTER-KEY UPGRADE	1 key to lock multiple tool trolleys	1477K-MASTERKEY
MIFARE LOCKING SYSTEM	Battery powered ID card access control	1477K-AC25
PIN CODE LOCKING SYSTEM	Battery powered NUMERIC access control	1477K-AC24
SPRAY CANISTER HOLDER	Anti-rust coated steel body	1477K-AC20
ROLL HOLDER	Anti-rust coated steel body	1477K-AC18
POWERTOOL HOLDER	Anti-rust coated steel body	1477K-AC21