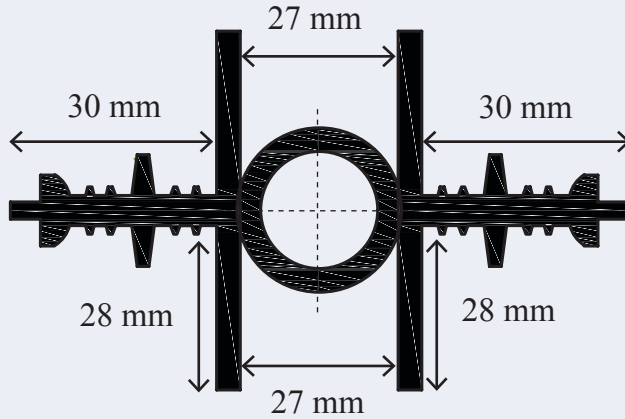




PRIMESHIELD WS 2030

CENTRAL EMBEDDED BARRIER FOR EXPANSION JOINTS

IMPERIAL SYSTEM PRODUCTS



PRIMESHIELD WS 2030 is a profile designed specifically to provide a continuous central barrier embedded within expansion joints in concrete structures.

Its unique design incorporates:

- Two short well profiled flanges of 30 mm fans out on both sides of Primeshield WS 2030 for embedment in the 40 mm concrete covers for heavily covered reinforced structures such as Beams and Columns. Ordinary PVC water stops will be less suited due to its abnormal wide width.
- Two twin upper and lower Vertical Flanges serves to guide and hold expansion joint formers such as Flexcell and Corkfil in place prior to inserting Fibercap 60 and the final anchorage with Boardgrip anchors.

TECHNICAL PROPERTIES

PROPERTY	TEST METHOD	VALUE
Water absorption	ASTM D 570	0.15%
Tear Resistance	ASTM D 624	300 lb/in.min
Ultimate Elongation	ASTM D638	350% min
Tensile Strength	ASTM D 638	2,000 psi
Low Temperature		
Brittleness	ASTM D746	Passes @-35F
Stiffness in Flexure	ASTM D747	700 psi min
Specific Gravity	ASTM D792	1.38 max
Hardness Shore A15	ASTM d2240	79±3

Accelerated extraction

Tensile Strength	COE	1600 psi min
Elongation	COE	300% min

Effects of Alkali

Weight Change	CRD-C 572	+0.25%-0.10%
Hardness change	CRD-C 572	± 5 points

STANDARD SUPPLY LENGTH

Primeshield WS 2030 is supplied in rolls of 10 meters

JOINTING OF PRIMESHIELD WS 2030

Where expansion joint lines are longer than 10 meters, Primeshield WS 2030 can be made longer by jointing another length together with heat fusion.

Electric heated blade will melt the polymer after 3 minutes and the molten polymers are fused together to effect a homogeneous fused joint.

Jointing of Primeshield ws 2030 profiles is an essential necessity prior to placement.

A poorly jointed profile will inevitably result in water leakages.

VISUAL APPEARANCE AFTER THE FIRST POUR OF CONCRETE

After the removal of formwork, PRIMESHIELD WS 2030 will be left dangling in the air with one side of the short flange embedded securely in concrete.

The anchors are well secured despite looking precariously on the side of the concrete beam. It will sustain till the formation of 25 mm wide joints with the second pour of concrete.

In essence it can be left hanging for 365 days or more.

IMPERIAL SYSTEM PRODUCTS

DAMAGE TO PRIMSHIELD WS 2030

Damage to Primeshield WS 2030 is avoidable and preventable.

In most unlikely cases of damage by force of displacement or rupture such damages are not mendable or restorable to allow the proper functioning of the designed profile.

In this respect, restorative works to damages of Primeshield ws 2030 would imply the complete replacement of Primeshield 2030 with a new externally placed barrier know as PRIMESHIELD E BAR prior to the formation of joint and the second pour of concrete.

Primeshield E Bar is generally anchored below Primshield WS 2030 to effect proper installation.

Besides functioning as a replacement barrier, Prmeshield E Bar is used between new and old extension of building structures where expansion joints are created between the old and new structure in anticipation of settlements and movements.

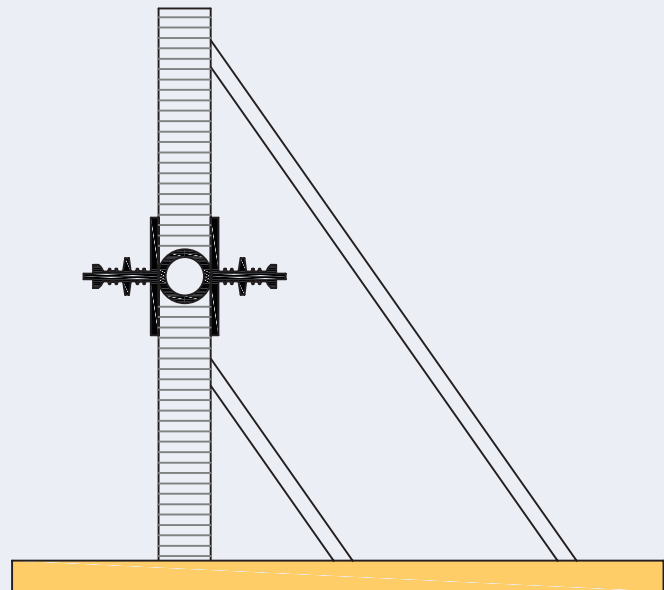
Information pertaining to the installation of Primeshield E Bar is available in its technical literature.

INSTALLATION OF PRIMESHIELD WS 2030

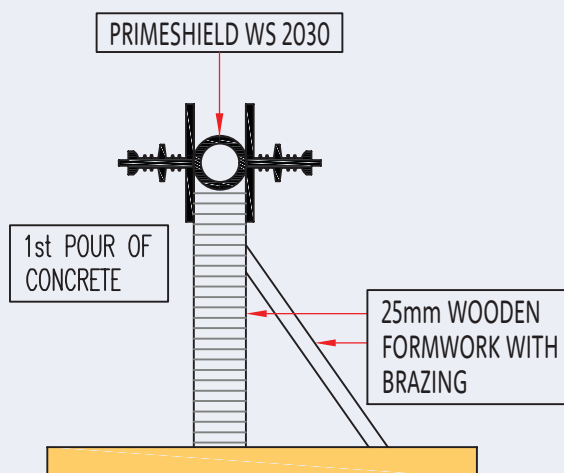
In general, Primeshield WS 2030 is saddled over wooden formwork of 25 mm thickness. It is usually installed 150 mm to 200 mm below the finishing height of structural concrete.

CAUTIOUS CONSIDERATION

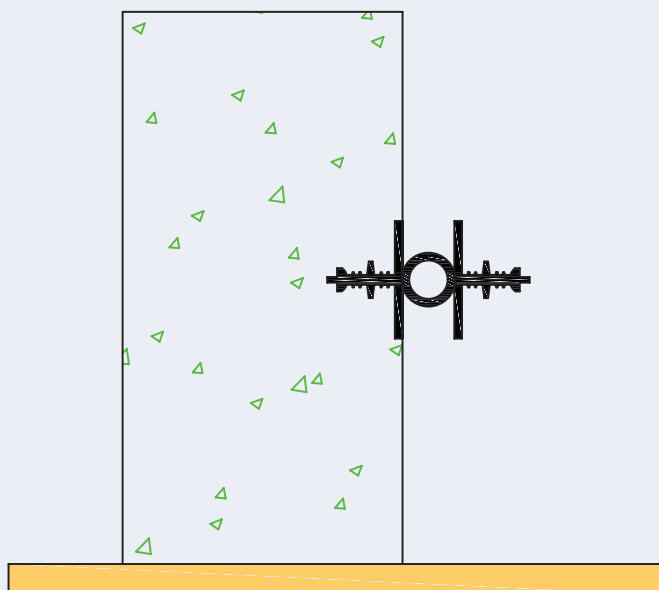
Do not use standard metal forms or precast concrete forms to effect the construction of precise expansion joints widths.



INSERT 25 MM WOODEN FORMWORK ONTO PRIMESHIELD WS 2030 UPPER FLANGE GUIDES



SADDLE PRIMESHIELD WS 2030 OVER WOODEN FORMWORK



AFTER THE EXECUTION OF THE FIRST POUR OF CONCRETE AND STRIKING OF FORMWORK

Distributor :
IMPERIALSEALS UK PTE LTD
IMPSEAL SDN BHD

Tel : +65 67847811 | +65 96791811
Email : donquek@imperialseals.com.sg | info@imperialseals.com.sg
Tel : +60 07 5226817 | +60 018 904 7883 | +65 96791811
Email : sales@imperialseals.com | donquek@imperialseals.com.sg