

POWER TOOLS

OVERVIEW
492-493

CORDLESS
494-519

AIR
520-550

ACCESSORIES
551-576

CT861
14.4 V 3/8" Drive MicroLithium
Cordless Impact Wrench



“Snap-on makes power tools that fit into places most others can’t. So I can work in tight spaces with minimum setup.”

*George
George’s Auto Repair*

CDR9050
18 V 1/2" MonsterLithium Cordless Hammer Drill

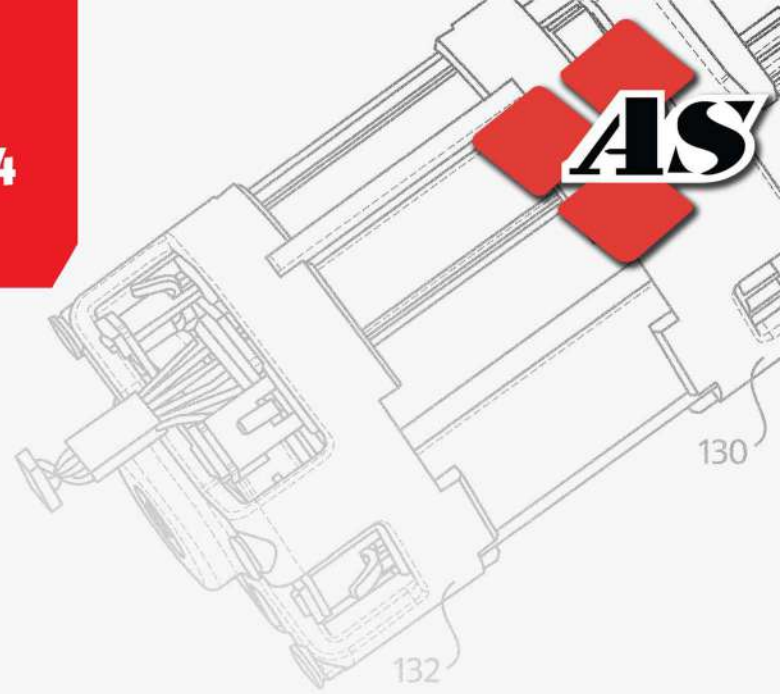


Fig. 5



PT350
1/2" Drive Stubby Air Impact Wrench

POWER TOOLS DRIVEN BY CONTINUOUS IMPROVEMENT.

Never underestimate the power of innovation. Snap-on® power tools deliver power, comfort and control, with designs from compact bodies to long necks to deliver the accessibility you need. And thanks to the conversion to brushless motors, our cordless power tools run cooler, safer and longer than ever before. Add in superior ergonomics, and you have some very powerful reasons to choose Snap-on.



CORDLESS: QUICK REFERENCE CHART

POWER TOOLS

Impacts

| Specifications | CT9100K2 | CT9080K2 | CT9050K2 | CT9015K2 | CT9010K2 | CT861K2 | CT825K2 |
|--|----------------------|----------------------|----------------------|----------------------|----------------------|----------------|----------------|
| Battery Type | Lithium 5.0 Ah | Lithium 5.0 Ah | Lithium 5.0 Ah | Lithium 5.0 Ah | Lithium 5.0 Ah | Lithium 2.5 Ah | Lithium 2.5 Ah |
| Battery Voltage | 18 | 18 | 18 | 18 | 18 | 14.4 | 14.4 |
| Square Drive, inches (mm) | 3/4 (19) | 1/2 (13) | 1/2 (13) | 1/2 (13) | 3/8 (10) | 3/8 (10) | 1/4 (6) |
| Torque Output, ft-lb (N•m) | 1,000 (1,355) | 1,050 (1,423) | 800 (1,085) | 240 (325) | 240 (325) | 150 (203) | 70 (95) |
| Blows Per Minute, BPM | 2,200 | 2,300 | 2,300 | 3,520 | 3,520 | 3,000 | 3,000 |
| Free Speed, RPM | 1,570 | 1,570 | 2,000 | 1,760 | 1,760 | 2,500 | 2,200 |
| Height with Battery, inches (mm) | 10.5 (267) | 10.5 (267) | 10.25 (260) | 10 (254) | 10 (254) | 8.0 (203) | 8.0 (203) |
| Length, inches (mm) | 10.3 (261) | 9.6 (244) | 8.2 (208) | 6.7 (170) | 6.7 (170) | 6.8 (173) | 6.8 (173) |
| Weight with Battery, lb (kg) | 8.9 (4.04) | 8.2 (3.7) | 6.5 (2.9) | 4.9 (2.22) | 4.9 (2.22) | 2.7 (1.2) | 2.7 (1.2) |
| Charge Time, minutes | 90 | 90 | 90 | 90 | 90 | 70 | 70 |
| Warranty (battery) | 2 Years/1,000 Cycles | 2 Years/1,000 Cycles | 2 Years/1,000 Cycles | 2 Years/1,000 Cycles | 2 Years/1,000 Cycles | 1 Year | 1 Year |
| Warranty (tool and charger) | 2 Years | 2 Years | 2 Years | 2 Years | 2 Years | 1 Year | 1 Year |
| Pinned Anvil Version | — | — | CT9050P | — | CT9010P | — | — |
| Quick-Change Chuck Version (hex size of chuck) | — | — | — | — | — | CTQ861 (1/4") | — |
| Tool Only | CT9100DB | CT9080DB | CT9050DB | CT9015DB | CT9010DB | CT861DB | CT825DB |

CE

Drills/Drivers

| Specifications | CDR9015K2 | CDR9050K2 | CDR861K2* | CDRR2005360K2 | CDRR200545K2 | CDRR2005K2 | CDRR761K2 | CDRS761K2 |
|------------------------------|----------------|----------------|----------------|----------------|----------------|----------------|----------------|----------------|
| Battery Type | Lithium 5.0 Ah | Lithium 5.0 Ah | Lithium 2.5 Ah | Lithium 2.5 Ah | Lithium 2.5 Ah | Lithium 2.5 Ah | Lithium 2.5 Ah | Lithium 2.5 Ah |
| Battery Voltage | 18 | 18 | 14.4 | 14.4 | 14.4 | 14.4 | 14.4 | 14.4 |
| Chuck Capacity, inches (mm) | 1/2 (13) | 1/2 (13) | 3/8 (10) | 1/4"-28 | 1/4"-28 | 1/4"-28 | 3/8 (10) | 3/8 (10) |
| Torque Output in-lb (N•m) | 470 (53.1) | 470 (53.1) | 200 (22.6) | 12 (1.355) | 12 (1.355) | 12 (1.355) | 150 (16.9) | 65 (7.3) |
| Clutch Settings | 18 Plus Drill | 23 | 9 | — | — | — | 9 | 9 |
| Gear Box Type | 2-Speed | 2-Speed | 2-Speed | Single-Speed | Single-Speed | Single-Speed | 2-Speed | 2-Speed |
| RPM (low) | 420 | 420 | 450 | — | — | — | 450 | 450 |
| RPM (high) | 2,000 | 2,000 | 6,550 | 6,000 | 6,000 | 6,000 | 1,550 | 1,550 |
| Length, inches (mm) | 7.6 (193) | 8.1 (205) | 7.7 (198) | 12 (305) | 12 (305) | 12 (305) | 13.3 (338) | 13.3 (338) |
| Weight with Battery, lb (kg) | 5 (2.27) | 5.1 (2.3) | 2.4 (1.1) | 1.4 (.64) | 1.4 (.64) | 1.4 (.64) | 3.3 (1.5) | 2.6 (1.2) |
| Charge Time, minutes | 90 | 90 | 70 | 70 | 70 | 70 | 70 | 70 |
| Warranty (battery) | 2 Years | 2 Years | 1 Year | 1 Year | 1 Year | 1 Year | 1 Year | 1 Year |
| Warranty (tool and charger) | 2 Years | 2 Years | 1 Year | 1 Year | 1 Year | 1 Year | 1 Year | 1 Year |
| Tool Only | CDR9015DB | CDR9050DB | CDR861DB | CDRR2005360DB | CDRR200545DB | CDRR2005DB | CDRR761DB | CDRS761DB |

*UL® listed.

CE

Die Grinders

| Specifications | CTGRS8806AK1 | CTGRS8825AK1 | CGRR861K2 | CGRS861K2 |
|----------------------------------|----------------|----------------|----------------|----------------|
| Battery Type | Lithium 5.0 Ah | Lithium 5.0 Ah | Lithium 2.5 Ah | Lithium 2.5 Ah |
| Battery Voltage | 18 | 18 | 14.4 | 14.4 |
| Free Speed, RPM | 6,000 | 25,000 | 9,500-28,000 | 10,000-30,000 |
| Charge Time, minutes | 90 | 90 | 70 | 70 |
| Height with Battery, inches (mm) | 4 (102) | 4 (102) | 3.3 (84) | 3.3 (84) |
| Width with Battery, inches (mm) | 3 (76) | 3 (76) | 2 (50) | 2 (50) |
| Length, inches (mm) | 11.4 (290) | 11.4 (290) | 11.4 (290) | 11.4 (290) |
| Weight with Battery, lb (kg) | 4.9 (2.2) | 4.6 (2.1) | 2.2 (0.99) | 1.7 (.77) |
| Warranty (tool and charger) | 2 Years | 2 Years | 1 Year | 1 Year |
| Warranty (battery) | 2 Years | 2 Years | 1 Year | 1 Year |
| Tool Only | CTGRS8806ADB | CTGRS8825ADB | CGRR861DB | CGRS861DB |

CE

Angle Grinders

| Specifications | CTGR8850AK1 | CTGR8855AK1 |
|-------------------------------|----------------------|----------------------|
| Battery Type | Lithium 5.0 Ah | Lithium 5.0 Ah |
| Battery Voltage | 18 | 18 |
| Wheel Size, inches (mm) | 4.5 (114) or 5 (127) | 4.5 (114) or 5 (127) |
| Arbor Size, inches (mm) | 7/8 (22) | 7/8 (22) |
| Free Speed, RPM | 8,000 | 8,000 |
| Charge Time, minutes | 90 | 90 |
| Switch Type | Slide Switch | Safety Switch |
| Length w/battery, inches (mm) | 16.5 (419) | 16.5 (419) |
| Weight with Battery, lb (kg) | 6.2 (2.8) | 6.2 (2.8) |
| Warranty (tool and charger) | 2 Years | 2 Years |
| Warranty (battery) | 2 Years/1,000 Cycles | 2 Years/1,000 Cycles |
| Tool Only | CTGR8850ADB | CTGR8855ADB |

K2 = US J2 = Japan U2 = Europe Z2 = Australia

Ratchets

| Specifications | CTR814K2 | CTR817K2 | CTR861K2 | CTR867K2 | CTR762K2 | CTR768K2 |
|----------------------------------|----------------|----------------|----------------|----------------|----------------|----------------|
| Battery Type | Lithium 2.5 Ah | Lithium 2.5 Ah | Lithium 2.5 Ah | Lithium 2.5 Ah | Lithium 2.5 Ah | Lithium 2.5 Ah |
| Battery Voltage | 14.4 | 14.4 | 14.4 | 14.4 | 14.4 | 14.4 |
| Charge Time, minutes | 70 | 70 | 70 | 70 | 70 | 70 |
| Square Drive, inches (mm) | 1/4 (6) | 1/4 (6) | 3/8 (10) | 3/8 (10) | 3/8 (10) | 3/8 (10) |
| Torque Output, ft-lb (N•m) | 35 (47) | 35 (47) | 60 (81) | 60 (81) | 70 (95) | 70 (95) |
| Manual Torque, ft-lb (N•m) | 46 (62) | 46 (62) | 158 (214) | 158 (214) | 158 (214) | 158 (214) |
| Free Speed, RPM | 350 | 350 | 275 | 275 | 175 | 175 |
| Height with Battery, inches (mm) | 11.1 (282) | 13.9 (353) | 12.2 (310) | 15.6 (396) | 12.8 (324) | 16.2 (411) |
| Weight with Battery, lb (kg) | 2 (0.9) | 2.4 (1.1) | 2.7 (1.2) | 3.3 (1.5) | 2.8 (1.3) | 3.5 (1.5) |
| Warranty (battery) | 1 Year | 1 Year | 1 Year | 1 Year | 1 Year | 1 Year |
| Warranty (tool and charger) | 1 Year | 1 Year | 1 Year | 1 Year | 1 Year | 1 Year |
| Battery (qty) | CTB8174 (2) | CTB8174 (2) | CTB8174 (2) | CTB8174 (2) | CTB8174 (2) | CTB8174 (2) |
| Battery Charger | CTC772A | CTC772A | CTC772A | CTC772A | CTC772A | CTC772A |
| Tool Only | CTR814DB | CTR817DB | CTR861DB | CTR867DB | CTR762DB | CTR768DB |

CE

Screwdrivers

| Specifications | CTS861K2 | CTSR761K2 | CTSS761K2 |
|------------------------------|----------------|----------------|----------------|
| Style | Pistol | Inline | Inline |
| Battery Type | Lithium 2.5 Ah | Lithium 2.5 Ah | Lithium 2.5 Ah |
| Battery Voltage | 14.4 | 14.4 | 14.4 |
| Trigger Style | Toggle | Paddle | Paddle |
| Charge Time, minutes | 70 | 70 | 70 |
| Chuck Cap., inches (mm) | 1/4 (6) | 1/4 (6) | 1/4 (6) |
| Square Drive, inches (mm) | 1/4 (6) Hex | 1/4 (6) Hex | 1/4 (6) Hex |
| Torque Output, in-lb (N•m) | 200 (22) | 150 (16.9) | 65 (7.3) |
| Clutch Settings | 9 | 9 | 9 |
| Gear Box Type | 2-Speed | 2-Speed | Single Speed |
| Free Speed, RPM | 450/1,550 | 450/1,550 | 0-1,350 |
| RPM (low) | 0-450 | 0-450 | — |
| RPM (high) | 0-1,550 | 0-1,550 | — |
| Length, inches (mm) | 6.1 (155) | 13.3 (338) | 11.8 (300) |
| Width, inches (mm) | 1.9 (48) | 2 (50.8) | 2 (50.8) |
| Height, inches (mm) | 7.8 (198) | 3.3 (84) | 3.3 (84) |
| Weight with Battery, lb (kg) | 2.1 (1.0) | 2.7 (1.2) | 2.2 (1.0) |
| Warranty (battery) | 1 Year | 1 Year | 1 Year |
| Warranty (tool and charger) | 1 Year | 1 Year | 1 Year |
| Battery (qty) | CTB8174 (2) | CTB8174 (2) | CTB8174 (2) |
| Battery Charger | CTC772A | CTC772A | CTC772A |
| Tool Only | CTS861DB | CTSR761DB | CTSS761DB |

CE

Reciprocating Saw

| Specifications | CTRS8850AK1 | CTRS761AK2 |
|--|----------------------|----------------|
| Battery Type | Lithium 5.0 Ah | Lithium 2.5 Ah |
| Battery Voltage | 18 | 14.4 |
| Stroke Length, inches (mm) | 1 (25.4) | 1/2 (13) |
| Strokes Per Minute | 2,400 | 3,100 |
| Length, inches (mm) | 18 (457) | 12 (304) |
| Height with Battery, inches (mm) | 8.25 (210) | — |
| Weight with Battery Pack (Li-Ion), lb (kg) | 7.7 (3.4) | 3.2 (1.5) |
| Variable Speed Switch | — | Yes |
| Charge Time, minutes | 90 | 70 |
| Warranty (battery) | 2 Years/1,000 Cycles | 1 Year |
| Warranty (tool and charger) | 2 Years | 1 Year |
| Battery (qty) | CTB185 (1) | CTB8174 (2) |
| Battery Charger | CTC131 | CTC772A |
| Tool Only | CTRS8850ADB | CTRS761ADB |

K2 = US J2 = Japan U2 = Europe Z2 = Australia



• Read and follow safety messages for each type of Cordless Tool on the following pages and the safety precautions on pages W1-W4

CORDLESS: 18-VOLT BRUSHLESS IMPACT WRENCHES



CT9100K2



CT9080K2

CT9100 Series 18 V 3/4" Drive Impacts

| Specifications | CT9100K2 |
|----------------------------------|----------------------|
| Battery Type | Lithium 5.0 Ah |
| Battery Voltage | 18 |
| Charge Time, minutes | 90 |
| Square Drive, inches (mm) | 3/4 (19) |
| Torque Output, ft-lb (N•m) | 1,000 (1,355) |
| Blows Per Minute, BPM | 2,200 |
| Free Speed, RPM | 1,570 |
| Height with Battery, inches (mm) | 9.5 (241) |
| Length, inches (mm) | 10.3 (261) |
| Weight with Battery, lb (kg) | 8.9 (4.04) |
| Warranty (battery) | 2 Years/1,000 Cycles |
| Warranty (tool and charger) | 2 Years |
| Battery (qty) | CTB185 (2) |
| Battery Charger | CTC131 |
| Optional Protective Boot | CT9100BOOT |
| Tool Body Only | CT9100DB |

CT9100K2 18 V 3/4" Drive MonsterLithium Cordless Impact Wrench Kit

- 1,000 ft-lb (1,355 N•m) of torque output
- 1,300 ft-lb (1,763 N•m) of bolt breakaway torque
- Three torque setting adapt to various applications
- Cerakote premium nose resists abrasion
- Brushless motor for longer runtime and durability
- Super bright 100 lm LED light output
- Variable speed trigger for precise control
- Kit includes tool, (2) batteries and a charger

Colors Available



2 Batteries, 1 Charger: K2 GK2 HVK2
 Tool Only: DB GDB HVDB
 ADD SUFFIX TO STOCK NUMBER FOR SPECIAL COLORS.

CT9080 Series Impacts

| Specifications | CT9080K2 |
|----------------------------------|----------------------|
| Battery Type | Lithium 5.0 Ah |
| Battery Voltage | 18 |
| Charge Time, minutes | 90 |
| Square Drive, inches (mm) | 1/2 (13) |
| Torque Output, ft-lb (N•m) | 1,050 (1,423) |
| Blows Per Minute, BPM | 2,300 |
| Free Speed, RPM | 1,570 |
| Height with Battery, inches (mm) | 9.5 (241) |
| Length, inches (mm) | 9.6 (244) |
| Weight, lb (kg) | 8.2 (3.7) |
| Warranty (battery) | 2 Years/1,000 Cycles |
| Warranty (tool and charger) | 2 Years |
| Battery (qty) | CTB185 (2) |
| Battery Charger | CTC131 |
| Optional Protective Boot | CT9075BOOT |
| Tool Body Only | CT9080DB |

CE, DE, ES, FR, IT, GB, NL, JP

CT9080K2 18 V 1/2" Drive MonsterLithium Cordless Impact Wrench Kit

- 1,050 ft-lb (1,423 N•m) of torque output
- 1,440 ft-lb (1,952 N•m) of bolt breakaway output
- Three torque settings adapt to various applications
- Cerakote premium nose resists abrasion
- Brushless motor for longer runtime and durability
- Super bright 100 lm LED light output
- Variable speed trigger for precise control
- Kit includes tool, (2) batteries and a charger

Colors Available



2 Batteries, 1 Charger: K2 GK2 HVK2
 Tool Only: DB GDB HVDB
 Boot: GBOOT HVBOOT
 ADD SUFFIX TO STOCK NUMBER FOR SPECIAL COLORS.



CT9010K2



CT9015K2

CT9010 Series 3/8" Drive Brushless Impacts

| Specifications | CT9010K2 |
|--|----------------------|
| Battery Type | Lithium 5.0 Ah |
| Battery Voltage | 18 |
| Charge Time, minutes | 90 |
| Square Drive, inches (mm) | 3/8 (10) |
| Anvil Type | Friction Ring |
| Torque Output, ft-lb (N•m) | 240 (325) |
| Blows Per Minute, BPM | 3,520 |
| Free Speed, RPM | 1,760 |
| Sound Power Level, dB(A) | 108 |
| Sound Pressure Level, dB(A) | 97 |
| Vibration Level, m/s ² | 8.6 |
| Length, inches (mm) | 6.7 (170) |
| Height w/Battery, inches (mm) | 10 (254) |
| Weight w/Battery, lb (kg) | 4.9 (2.22) |
| Warranty (battery) | 2 Years/1,000 Cycles |
| Warranty (tool and charger) | 2 Years |
| Battery (qty) | CTB185 (2) |
| Battery Charger | CTC131 |
| Pinned Anvil Version | CT9010P |
| Quick-Change Chuck Version (hex size of chuck) | CT9010QC |
| Tool Body Only | CT9010DB |
| Optional Protective Boot | CT9010BOOT |

CE - DE, ES, GB, FR, IT, NL, UL, CUL

CT9010K2 18 V 3/8" Drive MonsterLithium Cordless Impact Wrench Kit

- 240 ft-lb (325 N•m) of torque output
- 325 ft-lb (441 N•m) of bolt breakaway torque
- Three torque settings adapt to various applications
- Cerakote premium nose resists abrasion
- Brushless motor for longer runtime and durability
- Super bright 100 lm LED light output
- Variable speed trigger for precise control
- Kit includes tool, (2) batteries and a charger

Colors Available



2 batteries, 1 Charger: K2 GK2 HVK2
Tool Only: DB GBD HVDB
Boot: GBOOT HVBOOT

ADD SUFFIX TO STOCK NUMBER FOR SPECIAL COLORS.

CT9015 Series 1/2" Drive Brushless Impacts

| Specifications | CT9015K2 |
|-----------------------------------|----------------------|
| Battery Type | Lithium 5.0 Ah |
| Battery Voltage | 18 |
| Charge Time, minutes | 90 |
| Square Drive, inches (mm) | 1/2 (13) |
| Anvil Type | Friction Ring |
| Torque Output, ft-lb (N•m) | 240 (325) |
| Blows Per Minute, BPM | 3,520 |
| Free Speed, RPM | 1,760 |
| Sound Power Level, dB(A) | 108 |
| Sound Pressure Level, dB(A) | 97 |
| Vibration Level, m/s ² | 8.6 |
| Length, inches (mm) | 6.7 (170) |
| Height with Battery, inches (mm) | 10 (254) |
| Weight w/Battery, lb (kg) | 4.9 (2.22) |
| Warranty (battery) | 2 Years/1,000 Cycles |
| Warranty (tool and charger) | 2 Years |
| Battery (qty) | CTB185 (2) |
| Battery Charger | CTC131 |
| Tool Body Only | CT9015DB |
| Optional Protective Boot | CT9010BOOT |

CE, DE, ES, FR, IT, GB, NL, JP

CT9015K2 18 V 1/2" Drive MonsterLithium Cordless Impact Wrench Kit

- 240 ft-lb of torque output breaks loose stubborn fasteners
- Digital microprocessor-controlled switch maximizes performance, run time and durability
- Three torque settings in forward and three in reverse to adapt to various applications
- Built-in brake prevents tool from throwing fasteners and sockets
- Super bright 100 lm LED light output
- Kit includes tool, (2) batteries and a charger

Colors Available



2 Batteries, 1 Charger: K2 GK2 HVK2
Tool Only: DB GDB HVDB
Boot: GBOOT HVBOOT

ADD SUFFIX TO STOCK NUMBER FOR SPECIAL COLORS.



- Use only impact sockets and accessories with impact wrenches
- Read Safety Precautions on pages W1-W4

CORDLESS: 18-VOLT PLATFORMS



CT9050K2



CDR9050K2

CT9050 Series 1/2" Drive Impacts

| Specifications | CT9050K2 |
|----------------------------------|----------------------|
| Battery Type | Lithium 5.0 Ah |
| Battery Voltage | 18 |
| Charge Time, minutes | 90 |
| Square Drive, inches (mm) | 1/2 (13) |
| Anvil Type | Friction Ring |
| Torque Output, ft-lb (N•m) | 800 (1,085) |
| Blows Per Minute, BPM | 2,300 |
| Free Speed, RPM | 2,000 |
| Length, inches (mm) | 8.2 (208) |
| Height with Battery, inches (mm) | 9.5 (241) |
| Weight with Battery, lb (kg) | 6.5 (2.9) |
| Warranty (battery) | 2 Years/1,000 Cycles |
| Warranty (tool and charger) | 2 Years |
| Battery (qty) | CTB185 (2) |
| Battery Charger | CTC131 (1) |
| Pinned Anvil Version | CT9050P |
| Tool Only | CT9050DB |
| Optional Protective Boot | CT9050BOOT |

CE, DE, ES, FR, IT, GB, NL, JP

CT9050K2 18 V 1/2" Drive MonsterLithium Cordless Impact Wrench Kit

- 800 ft-lb (1,085 N•m) of torque output
- 1,000 ft-lb (1,355 N•m) of bolt breakaway torque
- Three torque settings adapt to various applications
- Cerakote premium nose resists abrasion
- Brushless motor for longer runtime and durability
- Super bright 100 lm LED light output
- Variable speed trigger for precise control
- Kit includes tool, (2) batteries and a charger

Colors Available



| | Red | Green | Hi-Viz |
|-------------------------|--------------|-------|--------|
| 2 Batteries, 1 Charger: | K2 | GK2 | HVK2 |
| Tool Only: | DB | GDB | HVDB |
| Boot: | GBOOT HVBOOT | | |

ADD SUFFIX TO STOCK NUMBER FOR SPECIAL COLORS.

CDR9050 Series 3/8" Drive Hammer Drills

| Specifications | CDR9050K2 |
|------------------------------|----------------|
| Battery Type | Lithium 5.0 Ah |
| Battery Voltage | 18 |
| Charge Time, minutes | 90 |
| Chuck Capacity, inches (mm) | 1/2 (13) |
| Spindle Thread, inches | 1/2"-20 UNF |
| Torque Output in-lb (N•m) | 470 (53.1) |
| RPM (high) | 2,000 |
| RPM (low) | 420 |
| Clutch Settings | 23 |
| Gear Box Type | 2-Speed |
| Length, inches (mm) | 8.1 (205) |
| Height, inches (mm) | 10.25 (260) |
| Weight with Battery, lb (kg) | 5.1 (2.3) |
| Warranty (battery) | 2 Years |
| Warranty (tool and charger) | 2 Years |
| Battery (qty) | CTB185 (2) |
| Battery Charger | CTC131 |
| Tool Only | CDR9050DB |

CDR9050K2 18 V 1/2" MonsterLithium Cordless Hammer Drill Kit

- 470 in-lb (53 N•m) of torque output
- Two-speed gear box (420/2,000) RPM
- Keyless 1/2" single sleeve metal chuck
- Drill, hammer, screw mode with 23 clutch settings
- Brushless motor for longer runtime and durability
- Variable speed trigger for precise tool control
- Super bright LED light output
- Kit includes tool, (2) batteries and a charger

Colors Available



| | Red | Green | Hi-Viz |
|-------------------------|--------------|-------|--------|
| 2 Batteries, 1 Charger: | K2 | GK2 | HVK2 |
| Tool Only: | DB | GDB | HVDB |
| Boot: | GBOOT HVBOOT | | |

ADD SUFFIX TO STOCK NUMBER FOR SPECIAL COLORS.


CDR9015K2

CGG8850AK1

CDR9015 1/2" Drive Drills/Drivers

| Specifications | CDR9015K2 |
|------------------------------|-------------------|
| Battery Type | Lithium 5.0 Ah |
| Battery Voltage | 18 |
| Charge Time, minutes | 90 |
| Chuck Capacity, inches (mm) | 1/2 (13) |
| Spindle Thread, inches | 1/2"-20 UNF |
| Torque Output in-lb (N•m) | 470 (53.1) |
| RPM (high) | 2,000 |
| RPM (low) | 420 |
| Clutch Settings | 18 Plus Drill |
| Gear Box Type | 2-Speed |
| Length, inches (mm) | 7.6 (193) |
| Height, inches (mm) | 10.25 (260) |
| Weight with Battery, lb (kg) | 5 (2.27) |
| Warranty (battery) | 2 Years |
| Warranty (tool and charger) | 2 Years |
| Battery (qty) | CTB185 (2) |
| Battery Charger | CTC131 |
| Tool Only | CDR9015DB |

CE—DE, ES, GB, FR, IT, NL, UL, CUL

CDR9015K2 18 V 1/2" MonsterLithium Cordless Drill Kit

- 470 in-lb (53 N•m) of torque output
- Two-speed gear box (420/2,000) RPM
- Keyless 1/2" metal single sleeve keyless chuck
- Drill plus 18 clutch settings adjust for the application
- Brushless motor for longer runtime and durability
- Variable speed trigger for precise tool control
- Super bright LED light output
- Kit includes tool, (2) batteries and a charger

Colors Available



2 Batteries, 1 Charger: **K2 GK2 HVK2**
 Tool Only: **DB GDB HVDB**
 Boot: **GBOOT HVBOOT**

ADD SUFFIX TO STOCK NUMBER FOR SPECIAL COLORS.

CGG8850A Grease Guns

| Specifications | CGG8850AK1 |
|--------------------------------------|--|
| Battery Type | Lithium 5.0 Ah |
| Battery Voltage | 18 |
| Charge Time, minutes | 90 |
| Pressure Rating, PSI | 3,000 High Output/ 7,500 Low Output |
| Pressure Rating, BAR | 206 High Output/517 Low Output |
| Capacity, Tubes Per Charge | Up to 27 (free flow)/ Up to 17 (@1,000 PSI) |
| Maximum Tube Capacity | 14-1/2 oz (411 g) Cartridge/ 16 oz (454 g) Bulk |
| Handle Material | Glass-Reinforced Nylon |
| Coupler Design | 3-Jaw |
| Hose Length, inches (mm) | 36 (914) |
| Hose Type | High Pressure with Protective Spring Guards |
| Bulk Filler Valve | Yes |
| Air Purge Valve | Yes |
| Height with Grease Tube, inches (mm) | 19 (483) |
| Weight with Battery Pack, lb (kg) | 7.9 (3.6) |
| Weight without Battery Pack, lb (kg) | 6.4 (2.9) |
| Warranty (battery) | 2 Years |
| Warranty (tool) | 2 Years |
| Battery (qty) | CTB185 (1) |
| Battery Charger | CTC131 |
| Tool Only | CGG8850ADB |

CGG8850AK1 18 V MonsterLithium Cordless Grease Gun Kit (One Battery/Charger)

- Two-speed, high-torque 18 V DC motor delivers outstanding flow and pressure
- 36" high-pressure hose with spring guard and coupler
- Accessible check valve and combination air bleeder/filler valve
- Dual motor protection includes self-resetting thermo-coupler
- Machined and hardened piston with plated steel barrel and premium grease follower
- Ergonomically designed to reduce fatigue and increase productivity
- 18 V high-amperage lithium ion battery provides outstanding run time
- Works well in cold environments
- Kit includes tool, (1) battery and a charger

Colors Available



1 Battery, 1 Charger: **K1 GK1 HVK1**
 Tool Only: **DB GDB HVDB**

ADD SUFFIX TO STOCK NUMBER FOR SPECIAL COLORS.



- Use only impact sockets and accessories with impact wrenches
- Read Safety Precautions on pages W1-W4

CORDLESS: 18-VOLT PLATFORMS

POWER TOOLS



CTCG8850K1



CTRS8850AK1

CTCG8850 Series Caulk Guns

| Specifications | CTCG8850K1 |
|------------------------------------|----------------------|
| Battery Type | Lithium 5.0 Ah |
| Battery Voltage | 18 |
| Charge Time, minutes | 90 |
| Feed Speed Rate, inches per minute | 2-18 |
| Vibration Level | .5 m/s ² |
| Sound Pressure Level (A), dB | 56.8 |
| Maximum Current | 5 A |
| Maximum Feed Force, lbf | 850 |
| Weight w/Battery, lb (kg) | 5.3 (2.4) |
| Warranty (tool and charger) | 2 Years |
| Warranty (battery) | 2 Years/1,000 Cycles |
| Battery (qty) | CTB185 (1) |
| Battery Charger | CTC131 |
| Tool Body Only | CTCG8850DB |

CTCG8850K1 18 V MonsterLithium Cordless Caulk Gun Kit

- High feed force to easily dispense material, even when cold
- Dispense rates from 2-18 inch/minute allows user to fine tune material dispensing
- Piston retracts automatically when trigger is released to stop material from dispensing—saves time and material
- Dispenses up to 400 tubes of caulk on a single charge
- Light weight for easy maneuverability
- Very low noise level and vibration reduces user fatigue
- Easily changes from one tube style to another to get the job done quickly
- 10 oz cartridge (included), optional kits available for 29 oz cartridge kit and 600 ml sausage kit

Colors Available



1 Battery, 1 Charger: K1 GK1 HVK1
 Tool Only: DB GDB HVDB
 ADD SUFFIX TO STOCK NUMBER FOR SPECIAL COLORS.

CTRS8850 Series Reciprocating Saw

| Specifications | CTRS8850AK1 |
|-----------------------------------|----------------------|
| Battery Type | Lithium 5.0 Ah |
| Battery Voltage | 18 |
| Charge Time, minutes | 90 |
| Stroke Length, inches (mm) | 1 (25.4) |
| Strokes Per Minute | 2,400 |
| Height with Battery, inches (mm) | 8.25 (210) |
| Length, inches (mm) | 18 (457) |
| Weight with Battery Pack, lb (kg) | 7.7 (3.4) |
| Warranty (tool and charger) | 2 Years |
| Warranty (battery) | 2 Years/1,000 Cycles |
| Battery (qty) | CTB185 (1) |
| Battery Charger | CTC131 |
| Tool Only | CTRS8850ADB |

CTRS8850AK1 18 V MonsterLithium Cordless Reciprocating Saw Kit (One Battery/Charger)

- 2,400 strokes per minute
- 75 A rated, heavy-duty variable-speed trigger provides long life and is contoured to reduce user fatigue
- Heavy-duty 14-gauge internal wiring withstands high current loads during heavy sawing
- Spring-loaded blade retention system requires no tools and ejects broken blades easily
- Nonslip cushion grip nose reduces vibration and provides positive tool control
- Heavy-duty armature and balanced motor design for smooth operation
- Turbine-style cooling system reduces heat buildup, extending tool life
- Sealed nose mechanism prevents dirt and sawing debris from damaging internal components
- Kit includes tool, (1) battery and a charger

Colors Available



1 Battery, 1 Charger: K1 GK1 HVK1
 Tool Only: DB GDB HVDB
 ADD SUFFIX TO STOCK NUMBER FOR SPECIAL COLORS.


CTGR8845AK1

CTGR8855AK1

CTGR8850AK1
Grinders/Cut-Off Tools

| Specifications | CTGR8845AK1 | CTGR8855AK1 | CTGR8850AK1 |
|-----------------------------------|----------------------|----------------------|----------------------|
| Battery Type | Lithium 5.0 Ah | Lithium 5.0 Ah | Lithium 5.0 Ah |
| Battery Voltage | 18 | 18 | 18 |
| Charge Time, minutes | 90 | 90 | 90 |
| Wheel Size, inches (mm) | 4.5 (114) or 5 (127) | 4.5 (114) or 5 (127) | 4.5 (114) or 5 (127) |
| Arbor Size, inches (mm) | 7/8 (22) | 7/8 (22) | 7/8 (22) |
| Free Speed, RPM | 8,000 | 8,000 | 8,000 |
| Spindle Thread, inches | 5/8"-11 | 5/8"-11 | 5/8"-11 |
| Length w/battery, inches (mm) | 16 (406) | 16.5 (419) | 16.5 (419) |
| Weight with Battery, lb (kg) | 5.3 (2.4) | 6.2 (2.8) | 6.2 (2.8) |
| Switch Type | Paddle Switch | Safety Switch | Slide Switch |
| Warranty (tool and charger) | 2 Years | 2 Years | 2 Years |
| Warranty (battery) | 2 Years/1,000 Cycles | 2 Years/1,000 Cycles | 2 Years/1,000 Cycles |
| Replacement Grinding Wheel (size) | PT450-WH (4.5") | PT450-WH (4.5") | PT450-WH (4.5") |
| Replacement Cut-Off Wheel | CTGR-CW50 | CTGR-CW50 | CTGR-CW50 |
| Battery (qty) | CTB185 (1) | CTB185 (1) | CTB185 (1) |
| Battery Charger | CTC131 (1) | CTC131 (1) | CTC131 (1) |
| Tool Only | CTGR8845ADB | CTGR8855ADB | CTGR8850ADB |

UL[®] listed.
 CE, ENEC, ES, FR, IT, GB, NL, JP

CTGR8845AK1 18 V 4-1/2" MonsterLithium Cordless Standard Grinder Kit (One Battery/Charger)

- Standard head for use with 4-1/2" and 5" wheels
- Features a tool-free arbor nut for fast wheel changes
- Powerful motor delivers 8,000 RPM
- Includes removable cutting wheel guard for flexibility
- Electronic brake for enhanced user safety
- Motor screen helps keep debris out of the motor
- Battery rotates 270° for improved access
- Anti-vibration handle for less fatigue
- Paddle-style switch for OSHA[®] compliance
- Kit includes tool, (1) battery and a charger

CTGR8850AK1 18 V MonsterLithium Cordless Angle Grinder/Cut-Off Tool Kit (One Battery/Charger)

- 8,000 RPM handles most grinding jobs with ease
- Ultra-slim head allows user to access areas other grinders cannot
- Battery rotates 270° for improved access
- Accepts 4-1/2" or 5" wheels for more options to quickly get the job done
- Anti-vibration handle—allows user to work longer and more comfortably
- Replaceable motor screen—keeps debris out of the motor so tool lasts longer
- Seven-position safety guard—lets user tackle most jobs with less effort
- Tool-free guard removal—simply pull one guard off and slide the other one on
- Kit includes tool, (1) battery and a charger

CTGR8855AK1 18 V MonsterLithium Angle Grinder/Cut-Off Tool Kit with Safety Switch (One Battery/Charger)

- Flat head design for easy access
- 8,000 RPM handles most grinding jobs with ease
- Use with 4-1/2" or 5" wheels—more options to get the job done fast
- Seven-position safety guard
- Electronic safety clutch
- Motor screen keeps debris out of the motor to extend tool life
- Battery rotates 270° for improved access
- Anti-vibration handle—allows user to work longer and more comfortably
- High-stall torque
- OSHA[®] compliant switch
- Kit includes tool, (1) battery and a charger

CTGR-CW50 5" Abrasive Cutting Wheel

- Replacement cutting wheel for CTGR8850 cordless grinder

CTGR-CW50MP 5" Abrasive Cutting Wheel (25 pack)

- Replacement cutting wheel for CTGR8850 cordless grinder



- Use only impact sockets and accessories with impact wrenches
- Read Safety Precautions on pages W1-W4

CORDLESS: 18-VOLT PLATFORMS



CTGRS8806AK1



CTGRS8825AK1

Die Grinders

| Specifications | CTGRS8806AK1 | CTGRS8825AK1 |
|--|----------------|----------------|
| Battery Type | Lithium 5.0 Ah | Lithium 5.0 Ah |
| Battery Voltage | 18 | 18 |
| Charge Time, minutes | 90 | 90 |
| Collet Size, inches (mm) | 1/4 (6) | 1/4 (6) |
| Free Speed, RPM | 6,000 | 25,000 |
| Sound Pressure Level, dB(A) | 81.6 | 80.5 |
| Switch Type | Paddle Switch | Paddle Switch |
| Uncertainty K, dBA | 3 | 3 |
| Uncertainty, K (Vibration), m/s ² | 1.5 | 1.5 |
| Vibration Level, m/s ² | 1.9 | 6.5 |
| Height with Battery, inches (mm) | 4 (102) | 4 (102) |
| Width with Battery, inches (mm) | 3 (76) | 3 (76) |
| Weight with Battery, lb (kg) | 4.9 (2.2) | 4.6 (2.1) |
| Weight, lb (kg) | 3.2 (1.5) | 3.1 (1.4) |
| Warranty (battery) | 2 Years | 2 Years |
| Warranty (tool and charger) | 2 Years | 2 Years |
| Battery (qty) | CTB185 (1) | CTB185 (1) |
| Battery Charger | CTC131 (1) | CTC131 (1) |
| Tool Only | CTGRS8806ADB | CTGRS8825ADB |

CE DE, ES, FR, IT, GB, NL, JP

CTGRS8806AK1 18 V MonsterLithium Cordless Inline Die Grinder Kit (One Battery/Charger)

- 6,000 RPM to handle the big jobs
- Spindle lock for easy changing of accessories
- Tight tolerance collet for exact concentricity
- Overload protection prevents tool from over-heating
- Start-up protection prevents tool from starting after battery change
- Ergonomic design for positive tool control
- Standard 1/4" collet accepts most accessories
- Battery rotates 270° to adjust to each application
- Paddle style trigger for ease-of-use
- Kit includes tool, (1) battery and a charger

CTGRS8825AK1 18 V MonsterLithium Cordless Inline Die Grinder Kit (One Battery/Charger)

- 25,000 RPM handles the big jobs
- Spindle lock for easy changing of accessories
- Tight-tolerance collet for exact concentricity
- Overload protection prevents tool from overheating
- Start-up protection prevents tool from starting after battery change
- Ergonomic design for positive tool control
- Standard 1/4" collet accepts most accessories
- Battery rotates 270° for improved access
- Paddle-style trigger for ease of use
- Kit includes tool, (1) battery and a charger



CTBF8818K1

Cordless Sanders

| Specifications | CTBF8818K1 |
|---------------------------------|----------------|
| Battery Type | Lithium 5.0 Ah |
| Battery Voltage | 18 |
| Charge Time, minutes | 90 |
| Belt Length, inches (mm) | 18 (457) |
| Usable Belt Length, inches (mm) | 3-9/16 (90) |
| Belt Speed, RPM | 8,000 |
| Belt widths, inches (mm) | 1/4-1/2 (6-12) |
| Maximum Torque, in-lb | 14 |
| Length w/battery, inches (mm) | 16.5 (419) |
| Switch Type | Safety Switch |
| Spindle Thread, inches | 5/8"-11 |
| Weight with Battery, lb (kg) | 5.5 (2.5) |
| Warranty (battery) | 2 Years |
| Warranty (tool and charger) | 2 Years |
| Battery (qty) | CTB185 (1) |
| Battery Charger | CTC131 |
| Tool Body Only | CTBF8818DB |

CE, ES, FR, IT, GB, NL, JP

CTBF8818K1 18 V 18" MonsterLithium Cordless Band File Sander (One Battery/Charger)

- For grinding, burnishing and deburring in hard-to-access areas
- Head can be rotated 270° for flexibility
- Features a tool-free adjustable belt guide and cover for easy belt changes
- Includes 1/4-1/2" contour sanding arm—other arms sold separately
- Accepts 18" belt and has a workable surface of 3-9/16" to help get the job done quickly
- Motor screen helps keep debris out of the motor
- Battery can be rotated 270° without tools to adjust to any working position
- Anti-vibration handle helps reduce fatigue
- Detachable dust filter protects motor from coarse particles
- OSHA®-compliant switch for added safety
- Kit includes tool, (1) battery, (1) charger and a starter kit of belts

CTBFSA12 Band File Sanding Arm, 1/2"

CTBFSA14 Band File Sanding Arm, 1/4"

CTBFSA34 Band File Sanding Arm, 3/4"



CTBFBZ1460

CTBFBZ3440

CTBFBZ34120



- Do not use sanding discs or accessories above their maximum rated RPM.
- Use only impact sockets and accessories with impact wrenches
- Read Safety Precautions on pages W1-W4



CTRG9050K1

Rivet Guns

| Specifications | CTRG9050K1 |
|-----------------------------|----------------------|
| Battery Type | Lithium 5.0 Ah |
| Battery Voltage | 18 |
| Charge Time, minutes | 90 |
| Pull Force, lb (kg) | 4,400 (1,996) |
| Stroke Length, inches (mm) | .985 (25) |
| LED Light | 3 Bulb |
| Height, inches (mm) | 8.8 (225) |
| Weight, lb (kg) | 5.8 (2.6) |
| Warranty (battery) | 2 Years/1,000 Cycles |
| Warranty (tool and charger) | 2 Years |
| Battery (qty) | CTB185 (1) |
| Battery Charger | CTC131 |
| Tool Body Only | CTRG9050DB |

CE, ES, FR, IT, GB, NL, JP

CTRG9050K1 18 V MonsterLithium Brushless Rivet Gun Kit (One Battery/Charger)

- Brushless motor means superior durability, longer tool life and maximum run time
- 4,400 lb of pull force for precise accuracy
- LED light illuminates the work area
- Field replaceable long life jaws
- On board nose piece storage
- Heavy-duty tool hook allows for hanging
- Produces over 6,000 rivets on a battery charge to get the work done
- Operates with 1/8, 5/32, 3/16 and 1/4" rivets
- Kit includes tool, (1) battery and charger

Sanding Belts

| Stock No. | Description |
|-------------|---|
| CTBFBC1240 | Ceramic, 1/2 x 1/8-3/4", 40 grit (10 pk) |
| CTBFBC1260 | Ceramic, 1/2 x 1/8-3/4", 60 grit (10 pk) |
| CTBFBC1280 | Ceramic, 1/2 x 1/8-3/4", 80 grit (10 pk) |
| CTBFBC12120 | Ceramic, 1/2 x 1/8-3/4", 120 grit (10 pk) |
| CTBFCA1412 | Band File Contour Arm, 1/4-1/2 |
| CTBFFB12COR | Fleeceband, 1/2 x 18-3/4", Coarse (5 pk) |
| CTBFFB12FNE | Fleeceband, 1/2 x 18-3/4", Fine (5 pk) |
| CTBFFB12MED | Fleeceband, 1/2 x 18-3/4" Medium (5 pk) |
| CTBFFB14COR | Fleeceband, 1/4 x 18-3/4", Coarse (5 pk) |
| CTBFFB14FNE | Fleeceband, 1/4 x 18-3/4", Fine (5 pk) |
| CTBFFB14MED | Fleeceband, 1/4 x 18-3/4", Medium (5 pk) |
| CTBFFB34COR | Fleeceband, 3/4 x 18-3/4", Coarse (5 pk) |
| CTBFFB34FNE | Fleeceband, 3/4 x 18-3/4", Fine (5 pk) |
| CTBFFB34MED | Fleeceband, 3/4 x 18-3/4" Medium (5 pk) |
| CTBFBZ1240 | Zirconia, 1/2 x 18-3/4", 40 grit (10 pk) |
| CTBFBZ1260 | Zirconia, 1/2 x 18-3/4", 60 grit (10 pk) |
| CTBFBZ1280 | Zirconia, 1/2 x 18-3/4", 80 grit (10 pk) |
| CTBFBZ12120 | Zirconia, 1/2 x 18-3/4", 120 grit (10 pk) |
| CTBFBZ1440 | Zirconia, 1/4 x 18-3/4", 40 grit (10 pk) |
| CTBFBZ1460 | Zirconia, 1/4 x 18-3/4", 60 grit (10 pk) |
| CTBFBZ1480 | Zirconia, 1/4 x 18-3/4", 80 grit (10 pk) |
| CTBFBZ14120 | Zirconia, 1/4 x 18-3/4", 120 grit (10 pk) |
| CTBFBZ3440 | Zirconia, 3/4 x 18-3/4", 40 grit (10 pk) |
| CTBFBZ3460 | Zirconia, 3/4 x 18-3/4", 60 grit (10 pk) |
| CTBFBZ3480 | Zirconia, 3/4 x 18-3/4", 80 grit (10 pk) |
| CTBFBZ34120 | Zirconia, 3/4 x 18-3/4", 120 grit (10 pk) |

CORDLESS: 14.4-VOLT MICROLITHIUM PLATFORMS



CT825K2



CT861K2

CT825 Series Brushless Impact Wrenches

| Specifications | CT825K2 | CT861K2 |
|--|----------------|----------------|
| Battery Type | Lithium 2.5 Ah | Lithium 2.5 Ah |
| Battery Voltage | 14.4 | 14.4 |
| Charge Time, minutes | 70 | 70 |
| Square Drive, inches (mm) | 1/4 (6) | 3/8 (10) |
| Anvil Type | Friction Ring | Friction Ring |
| Torque Output, ft-lb (N•m) | 70 (95) | 150 (203) |
| Bolt Breakaway Torque, ft-lb (N•m) | 100 (135) | 225 (305) |
| Blows Per Minute, BPM | 3,000 | 3,000 |
| Free Speed, RPM | 2,200 | 2,500 |
| No Load Current | 3.0 A | 3.0 A |
| Length, inches (mm) | 6.8 (173) | 6.8 (173) |
| Width, inches (mm) | 2 (51) | 2 (51) |
| Height, inches (mm) | 7 (178) | 7 (178) |
| Height with Battery, inches (mm) | 8.0 (203) | 8.0 (203) |
| Weight with Battery, lb (kg) | 2.7 (1.2) | 2.7 (1.2) |
| Warranty (battery) | 1 Year | 1 Year |
| Warranty (tool and charger) | 1 Year | 1 Year |
| Quick-Change Chuck Version (hex size of chuck) | — | CTQ861 (1/4") |
| Battery (qty) | CTB8174 (2) | CTB8174 (2) |
| Battery Charger | CTC772A | CTC772A |
| Tool Only | CT825DB | CT861DB |

CE, DE, ES, FR, IT, GB, NL, JP

CT825K2 14.4 V 1/4" Drive Brushless MicroLithium Cordless Impact Wrench Kit

- 70 ft-lb of torque output handles many common fasteners
- Variable speed standard style trigger for precise control
- Tri-beam headlights illuminate the work area
- Built in brake prevents the tool from throwing fasteners and sockets
- Over current and thermal protection of the motor prevents tool from overheating
- Under voltage protection will not overdraw the battery
- Built in fuel gauge indicates battery state of charge
- Cushion grip handle provides positive tool control with less user fatigue
- Glass filled nylon housing is durable and prevents breaking
- Brushless motor means superior durability, longer tool life and maximum run time
- 70 minute charge time
- Kit includes tool, (2) batteries and a charger

Colors Available



2 Batteries, 1 Charger: K2 GK2 HVK2
Tool Only: DB GDB HVDB

ADD SUFFIX TO STOCK NUMBER FOR SPECIAL COLORS.

CT861K2 14.4 V 3/8" Drive MicroLithium Cordless Impact Wrench Kit

- 150 ft-lb (203 N•m) of torque output
- 225 ft-lb (305 N•m) of bolt breakaway torque
- Tri-beam LED headlights illuminates work area
- Brushless motor for longer runtime and durability
- Variable speed trigger for precise tool control
- Glass filled nylon housing for durability
- Built in fuel gauge indicates battery state of charge
- Kit includes tool, (2) batteries and a charger

Colors Available



2 Batteries, 1 Charger: K2 GK2 HVK2
Tool Only: DB GDB HVDB

ADD SUFFIX TO STOCK NUMBER FOR SPECIAL COLORS.


CDR861K2
CDR861 Series 3/8" Capacity Brushless Drills

| Specifications | CDR861K2 |
|------------------------------|-----------------------|
| Battery Type | Lithium 2.5 Ah |
| Battery Voltage | 14.4 |
| Charge Time, minutes | 70 |
| Chuck Capacity inches (mm) | 3/8 (10) |
| Clutch Settings | 9 |
| Gear Box Type | 2-Speed |
| Torque Output in-lb (N•m) | 200 (22.6) |
| Free Speed, RPM, Low (High) | 0-450 (0-1,550) |
| Sound Pressure Level, dB(A) | 73.7 |
| Length, inches (mm) | 7.7 (198) |
| Height inches (mm) | 7.8 (198) |
| Width, inches (mm) | 2 (50) |
| Operating Temperature | -4-120 °F (-20-60 °C) |
| RPM (low) | 0-450 |
| RPM (high) | 0-1,550 |
| Weight with Battery, lb (kg) | 2.4 (1.1) |
| Warranty (battery) | 1 Year |
| Warranty (tool and charger) | 1 Year |
| Battery (qty) | CTB8174 (2) |
| Battery Charger | CTC772A |
| Tool Only | CDR861DB |

UL® listed.
 CE, E, ES, FR, IT, GB, NL, JP

CDR861K2 14.4 V 3/8" MicroLithium Cordless Drill Kit

- 200 in-lb (22.6 N•m) of torque output
- Two-speed gearbox (450/1,550) RPM
- Keyless 3/8" single sleeve steel chuck
- Nine position clutch to adjust for the application

- Brushless motor for longer runtime and durability
- Variable speed trigger for precise tool control
- Built in fuel gauge indicates battery state of charge
- Kit includes tool, (2) batteries and a charger

Colors Available


2 Batteries, 1 Charger: **K2** **GK2** **HVK2**
 Tool Only: **DB** **GDB** **HVDB**

ADD SUFFIX TO STOCK NUMBER FOR SPECIAL COLORS.



- Use only impact sockets and accessories with impact wrenches
- Read Safety Precautions on pages W1-W4

CORDLESS: 14.4-VOLT MICROLITHIUM PLATFORMS



CDRR761K2

CDRR761 Series 3/8" Capacity Right-Angle Drills

| Specifications | CDRR761K2 |
|------------------------------|-----------------------|
| Battery Type | Lithium 2.5 Ah |
| Battery Voltage | 14.4 |
| Charge Time, minutes | 70 |
| Chuck Cap., inches (mm) | 3/8 (10) |
| Clutch Settings | 9 |
| Gear Box Type | 2-Speed |
| Torque Output, in-lb (N•m) | 150 (16.9) |
| Free Speed (RPM), Low (High) | 0-450 (0-1,550) |
| Sound Pressure Level, dB(A) | 73.7 |
| Sound Power Level, dB(A) | 85.3 |
| Length, inches (mm) | 13.3 (338) |
| Height, inches (mm) | 4 (102) |
| Width, inches (mm) | 2 (50) |
| Weight with Battery, lb (kg) | 3.3 (1.5) |
| Operating Temperature Range | -4-120 °F (-20-60 °C) |
| RPM (low) | 0-450 |
| RPM (high) | 0-1,550 |
| Warranty (battery) | 1 Year |
| Warranty (tool and charger) | 1 Year |
| Battery (qty) | CTB8174 (2) |
| Battery Charger | CTC772A |
| Tool Only | CDRR761DB |

CDRR761K2 14.4 V 3/8" MicroLithium Cordless Right Angle Screw Gun/Drill Kit

- 150 in-lb of torque output handles a wide variety of applications
- Two-speed drill: 400/1,550 RPM; low speed for higher torque applications, high speed for drilling steel
- Nine-position clutch delivers 8-50 in-lb of torque
- Variable-speed switch—good featherability at low speed for driving screws
- Lightweight drill—only 3.2 lb with battery
- 3/8" keyless single-sleeve durable steel chuck makes changing bits easy
- Cushion grip handle provides comfortable non-slip control for less fatigue over time
- Small size to get into tight spots—under dash, firewall, etc.
- One-year full warranty and serviced by Snap-on® Service Centers
- Built-in gauge displays the battery charge state
- Integrated LED light
- Kit includes tool, (2) batteries and a charger

Colors Available



2 Batteries, 1 Charger: **K2** **GK2** **HVK2**
 Tool Only: **DB** **GDB** **HVDB**

ADD SUFFIX TO STOCK NUMBER FOR SPECIAL COLORS.



CDRS761K2

CDRS761 Series 3/8" Capacity Inline Drills

| Specifications | CDRS761K2 |
|-----------------------------------|-----------------------|
| Battery Type | Lithium 2.5 Ah |
| Battery Voltage | 14.4 |
| Charge Time, minutes | 70 |
| Chuck Capacity, inches (mm) | 3/8 (10) |
| Clutch Settings | 9 |
| Gear Box Type | 2-Speed |
| Torque Output, in-lb (N•m) | 65 (7.3) |
| Free Speed, RPM | 0-1,350 |
| Sound Pressure Level, dB(A) | 80.4 |
| Sound Power Level, dB(A) | 89.6 |
| Length, inches (mm) | 13.3 (338) |
| Height, inches (mm) | 4 (102) |
| Width, inches (mm) | 2 (50) |
| Weight with Battery, lb (kg) | 2.6 (1.2) |
| Operating Temperature | -4-140 °F (-20-60 °C) |
| RPM (low) | 0-450 |
| RPM (high) | 0-1,550 |
| Uncertainty K, dB(A) | 3.0 |
| Vibration Level, m/s ² | 1.3 |
| Storage Temperature | -4-140 °F (-20-60 °C) |
| Warranty (battery) | 1 Year |
| Warranty (tool and charger) | 1 Year |
| Battery (qty) | CTB8174 (2) |
| Charger | CTC772A |
| Tool Only | CDRS761DB |

CDRS761K2 14.4 V 3/8" MicroLithium Cordless Inline Drill Kit

- 150 in-lb of torque handles a wide variety of applications
- Two speeds (400/1,400 RPM): low speed for higher torque applications, high speed for steel drilling
- Variable-speed switch—good featherability at low speed for driving screws and control
- Nine-position clutch
- Lightweight drill—with battery only 2.4 lb
- 3/8" keyless drill chuck—single-sleeve durable steel chuck makes changing bits easy
- Cushion grip handle—non-slip, comfort for the operator, positive tool control allows the operator to work longer with less fatigue
- Small size to get in tight spots: under dash, firewall, etc.
- One-year full warranty and serviced by Snap-on® Service Centers
- Built-in gauge displays the battery charge state
- Kit includes tool, (2) batteries and a charger

Colors Available



2 Batteries, 1 Charger: **K2** **GK2** **HVK2**
 Tool Only: **DB** **GDB** **HVDB**

ADD SUFFIX TO STOCK NUMBER FOR SPECIAL COLORS.



CDRR2005K2



CDRR200545K2



CDRR2005360K2

CDRR2005 Series Angle Mini Drill

| Specifications | CDRR2005K2 | CDRR200545K2 | CDRR2005360K2 |
|--|-----------------------|-----------------------|-----------------------|
| Battery Type | Lithium 2.5 Ah | Lithium 2.5 Ah | Lithium 2.5 Ah |
| Battery Voltage | 14.4 | 14.4 | 14.4 |
| Charge Time, minutes | 70 | 70 | 70 |
| Bit Thread Size | 1/4"-28 | 1/4"-28 | 1/4"-28 |
| Free Speed, RPM | 6,000 | 6,000 | 6,000 |
| Length Angle Head (Front to Back), inches (mm) | 1.12 (28) | 1 (25) | 3 (76) |
| Sound Pressure Level, dB(A) | 74.2 | 74.2 | 74.2 |
| Height (Head Assembly), inches (mm) | 4.4 (112) | 4.4 (112) | 4.4 (112) |
| Height with Battery, inches (mm) | 13.1 (333) | 13.1 (333) | 13.1 (333) |
| Vibration Level, m/s ² | 8.02 | 8.02 | 8.02 |
| Width, inches (mm) | 1.8 (46) | 1.8 (46) | 1.8 (46) |
| Length, inches (mm) | 12 (305) | 12 (305) | 12 (305) |
| Height, inches (mm) | 3.3 (84) | 3.3 (84) | 3.3 (84) |
| Weight with Battery, lb (kg) | 1.4 (.64) | 1.4 (.64) | 1.4 (.64) |
| Operating Temperature Range | -4-120 °F (-20-60 °C) | -4-120 °F (-20-60 °C) | -4-120 °F (-20-60 °C) |
| Warranty (battery) | 1 Year | 1 Year | 1 Year |
| Warranty (tool and charger) | 1 Year | 1 Year | 1 Year |
| Optional 1/4" Collet | YA409-6 | YA409-6 | YA409-6 |
| Battery (qty) | CTB8174 (2) | CTB8174 (2) | CTB8174 (2) |
| Battery Charger | CTC772A | CTC772A | CTC772A |
| Tool Only | CDRR2005DB | CDRR200545DB | CDRR2005360DB |

CE, ES, FR, IT, GB, NL, JP

CDRR2005K2 14.4 V MicroLithium Cordless Right Angle Mini Drill Kit

- Compact head for great access
- Low runout for precise drilling
- Accepts 1/4"-28 threaded bits and accessories
- Double ball bearing supported spindle shaft for durability
- Spiral beveled gears for durability and smooth operations
- 90° angle for great access
- LED light illuminates work area
- Soft grip handle for positive tool control
- Battery fuel gauge indicates battery charge state
- Kit includes tool, (2) batteries and a charger

CDRR2005360K2 14.4 V MicroLithium Cordless 360° Angle Head Mini Drill Kit

- Small compact head for greater access into places traditional pistol style drills cannot
- Low runout for precise accurate drilling
- Accepts 1/4"-28 threaded bits and accessories and standard 1/4" accessories with adaptor (not included)
- Double ball bearing supported spindle shaft for durability
- Spiral beveled gears for durability and smooth operation
- 360° angle head for great accessibility
- Built-in LED illuminates work area
- Soft grip handle for positive tool control
- Battery fuel gauge indicates the battery state of charge
- Variable speed trigger for slow start up
- Proven lower unit and head
- Kit includes tool, (2) batteries and a charger

CDRR200545K2 14.4 V MicroLithium Cordless 45° Angle Head Mini Drill Kit

- Same features as the CDRR2005360K2



• Use only impact sockets and accessories with impact wrenches
 • Read Safety Precautions on pages W1-W4