

Hydraulic & Lifting



Hydraulic Puller

354-355



Hydraulic Bottle Jack

354



Hand Chain Hoist

360



Lever Block Chain Hoist

358



Dr. Hydraulic Wrench

361



Hydraulic Offset Ring
Wrench

362



Hydraulic Hose

362



Electric Hydraulic Pump

363

Hydraulic Bottle Jack



- Welded sturdy steel construction for strength and leak free performance
- Improved overall mechanical strength and resistance to biased load
- Integrated base forged with quality steel and new hydraulic oil circuit for stability
- Free of oil leakage with long service life, facilitating maintenance

Note: Jacks of 2T to 20T can pass the dynamic overload test with 1.5 times of the load capacity; Jacks of 32T to 50T can pass the dynamic overload test with 1.25 times of the load capacity.

No.	Spec. (t)	L×W×H(mm)	Max. Height(mm)	Extension Height(mm)	Unit Weight(kg)			
97801A	2	99×93×181	344	48	2.4	1	6	15.5
97802A	4	110×103×193	373	60	3.2	1	6	20.3
97803A	6	122×115×210	416	70	3.9	-	4	16.5
97804A	8	130×121×230	455	80	5	-	4	21.3
97805A	10	132×120×230	460	80	5.6	1	4	23.7
97807A	16	144×134×230	440	60	7.1	-	2	15
97808A	20	159×143×242	452	60	9.1	-	2	19.1
97809A	32	169×153×275	440	-	12	-	1	12.4
97810A	50	210×176×265	425	-	25.3	-	1	26.9

▲ Excluded from lifetime warranty terms.

Hydraulic Puller



Plastic Box Set



- With claws forming a "safe cage", three jaws ensure even clamping force
- Built-in "safety valve" design to avoid overload
- Japan imported NOK seals

No.	Puller Type	Nominal Tonnage(t)	Working Output (kg)	Stroke (mm)	Extension Distance(mm)	Maximum Pulling Torque(mm)	Claw Length (mm)	Body Height ≤(mm)	Number of small pump operations for one stroke			
99001	Integrated	6	6000	60	20-200	160	180	530	46+/-2	-	1	9.5
99002	Integrated	10	10000	80	20-300	210	237	640	96+/-2	-	1	14.5
99003	Integrated	15	15000	100	20-360	240	270	710	178+/-2	-	1	20.5

▲ 1-Year warranty for overall unit, lifetime warranty for jaw

Hydraulic Puller



Puller Body



Manual Hydraulic Pump



- With claws forming a "safe cage", three jaws ensure even clamping force
- Built-in "safety valve" design to avoid overload
- Japan imported NOK seals

No.	Puller Type	Nominal Tonnage(t)	Working Output [kg]	Stroke [mm]	Extension Distance(mm)	Maximum Pulling Torque(mm)	Claw Length [mm]	Body Height ≤(mm)	Number of small pump operations for one stroke			
99014	Split	20	20000	100	25-420	285	320	620	Manual Pump 28+/-2	-	1	38.7
99015	Split	30	30000	100	25-515	340	375	715	Manual Pump 44+/-2	-	1	51.7

▲ 1-Year warranty for overall unit, lifetime warranty for jaw

Hydraulic Cutter



99036



99038

085 Hydraulic Cutter 5T

- Suitable for cutting copper and aluminum cables, communication wires, and various soft wires
- Ultra high-pressure integrated hydraulic cutter with high and low pressures output via manual extrusion
- Two-stage oil ingress with maximum pressure of 700kgf/ cm² (10000psi)
- Tip rotatable in 180 degrees to facilitate operation

Hydraulic Cutter (hard type)

- Suitable for cutting ACSR steel-core aluminum wire, soft copper, aluminum and iron bars, steel strand, steel cable, and reinforced steel iron
- Ultra high-pressure integrated hydraulic cutter with high and low pressures output via manual extrusion
- Two-stage oil ingress with maximum pressure of 700kgf/ cm² (10000psi)
- Tip rotatable in 180 degrees to facilitate operation
- FRP handle capable of insulating 20KV voltage for 5 minutes

No.	Output (T)	Opening (MM)	Cutting Capacity										Unit Weight (kg)					
			Wire Rope (MM)			Round Bar(mm)			Stranded Wire(mm)		Communication Cable(mm)							
			6x7	6x12	Soft Copper Bar	Soft Aluminum Bar	Soft Iron Bar	Rebar	Steel-Cored Aluminum Wire	Aluminum-Copper Stranded Wire		Steel Stranded Wire(1 x9)						
99036	5	85	-	-	-	-	-	-	-	-	-	28/38	-	85	8.5	-	1	8.5
99038	7.1	40	25	25	24	24	16	16	38	40	20	40	40	6	6	-	1	6

▲ 1-Year warranty for overall unit, lifetime warranty for jaw



99046 Hydraulic Crimper



- Suitable for crimping copper pipes, copper plate terminals, and C- and H-shaped overhead terminals
- Main body made of high carbon steel and subjected to heat treatment for high tensile strength
- Crimping via single loop for handiness
- Used with 99045

No.	Output (T)	Applicable Crimping Range(mm ²)	Crimping Type	Unit Weight(kg)			
99046	12	JIS: 38, 60-70, 80, 100, 150-180, 200, 325 DIN: 50, 70, 95, 120, 150, 185, 240, 300, 400	Hexagonal	7.8	-	1	7.8

▲ 1-Year warranty for overall unit, lifetime warranty for jaw

Hydraulic Cable Crimping Pliers



Hydraulic Cable Crimping Pliers 8T

- Jaw made of forged alloy steel for strength and durability
- H-shaped jaw capable of rotating in 180 degrees
- Quick crimping for easy operation
- Hexagonal die adopted for tight crimping and firmness
- Reset by just turning the decompression value
- Fiberglass insulated handle for voltage-withstanding and safety

Hydraulic Cable Crimping Pliers 11T

- Jaw made of forged alloy steel for strength and durability
- C-shaped big jaw capable of rotating in 180 degrees for easy operation
- Two-stage hydraulic design for quick crimping with little force
- Decompression value adopted for decompression by just turning and pressing the free handle with the hand holding the handle
- Built-in pressure relief valve with overload protection for automatic decompression after crimping
- Fiberglass insulated handle for voltage-withstanding and safety

No.	Hydraulic Pliers Type	Output(T)	Stroke(mm)	Crimping Range(mm ²)	Body Length(mm)	Die Type	Configuration Mould(mm ²)			
99018	Integrated	8	15.5	16-240	530	Hexagonal	16, 25, 35, 50, 70, 95, 120, 150, 185, 240	-	1	13.2
99019	Integrated	11	38	50-400	640	Hexagonal	50, 70, 95, 120, 150, 185, 240, 300, 400	-	1	20.7

▲ 1-Year warranty for overall unit, lifetime warranty for jaw



99045 Electric Hydraulic Pump



- 360-Degree flipping and suspension with normal output
- Fully closed for various harsh environments
- Auto shutdown at limit for safety and stability

No.	Maximum Output Pressure (kg/cm ² psi)	Output Pressure(kg/cm ²)	Oil pump capacity(L/min)	Voltage(V/Hz)	Motor Power(KW)	Oil Capacity(CC)	Unit Weight(kg)			
99045	700/10000	Low 0-100 High 10-700	Low 0-100 High 10-700	110/60	0.35	1000	7.2	-	1	7.2

▲ 1-Year warranty for overall unit, lifetime warranty for jaw

99047 Hydraulic Puncher



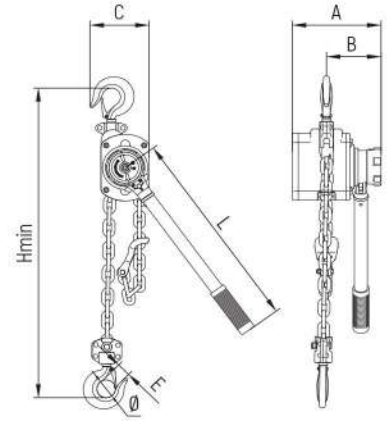
- Suitable for punching angle steel, copper, aluminum and iron plates, I-steel and all kinds of channel irons
- Oil cylinder and body forged with alloy steel together in C shape for firmness, durability and high tensile strength
- Small, portable, easy positioning and less burr from punching
- Used with 99045

No.	Output(T)	Punching Capacity(mm)	Standard Mould(mm)	Unit Weight(kg)			
99047	31	Copper & aluminum 12, iron 10	3/8", 1/2", 5/8", 3/4"	16.5	-	1	16.5

▲ 1-Year warranty for overall unit, lifetime warranty for jaw



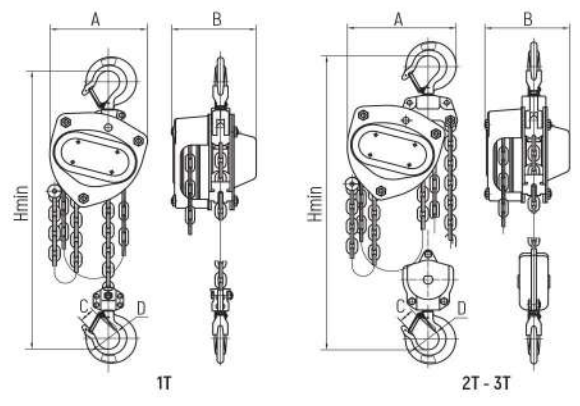
Aluminum Wire Grip



- Aluminum shell for lightness and convenience
- Multi-stage ratchet device for labor saving
- Symmetrical dual pawl for reliable braking
- Safety factor higher than 3:1 for safety and reliability

No.	Rated traction weight M (tons)	Standard traction length (m)	Rated load operating force	Lifting chain specification Diameter x number of rows/Dxn	Minimum distance between hooks (mm)	Main Dimensions(mm)						Unit Weight (kg)	Weight for every 1-meter increase in traction length (kg)	📦	📦	📦
						A (mm)	B (mm)	C (mm)	L (mm)	E (mm)	Ø (mm)					
97881	0.75	3	215	Φ5.6X1	335	158	105	99	353	26	40	6.0	0.7	-	-	-
97882	0.75	5	215	Φ5.6X1	335	158	105	99	353	26	40	7.4	0.7	-	-	-
97883	1.5	3	260	Φ7.1X1	367	176	110	123	353	31	45	9.2	1.1	-	-	-
97884	1.5	5	260	Φ7.1X1	367	176	110	123	353	31	45	11.4	1.1	-	-	-
97885	3	3	340	Φ8X1	415	193	119	128	465	30	40	13.8	1.4	-	-	-
97886	3	5	340	Φ8X1	415	193	119	128	465	30	40	16.6	1.4	-	-	-

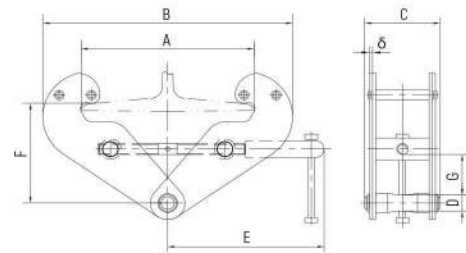
Stainless Steel Chain Block



- Main parts made of stainless steel for pollution resistance, corrosion resistance and wear resistance
- Smooth and compact product surface for dust prevention and good self-cleaning performance
- Safety factor higher than 4:1 for safety and reliability
- Suitable for corrosive or high cleanliness environment

No.	Rated traction weight M (tons)	Lifting height (m)	Lifting Chain		Hand chain	Hand pulling force (N)	Main Dimensions(mm)					Unit Weight (kg)	📦	📦	📦
			Number of chains/Falls	Diameter X Pitch/ Ø XP			A (mm)	B (mm)	C (mm)	D (mm)	H min				
97891	1	3	1	7X21	5X23.3	304	172	151	26	40	376	13	-	-	-
97892	1	6	1	7X21		304	172	151	26	40	376	19	-	-	-
97893	2	3	2	7X21		335	192	151	34	50	470	19	-	-	-
97894	2	6	2	7X21		335	192	151	34	50	470	28	-	-	-
97895	3	3	2	9X27		343	230	173	39	55	580	31	-	-	-
97896	3	6	2	9X27		343	230	173	39	55	580	44	-	-	-

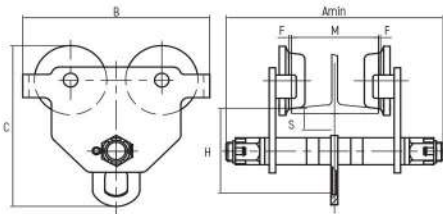
Heavy Gripper



- Suitable for clamping I-steel and hanging slings
- Safety factor higher than 4:1 for safety and reliability
- Adjustable clamping range for I-beams in various width

No.	Rated load (tons)	Width range of I-track available (mm)	Main dimensions										Unit Weight (kg)			
			A max.	B		C	δ	E	F		G min.	D				
			min.	max.					min.	max.						
98901	1	75-230	284	180	375	80	4	220	102	160	29	20	3.4	-	-	-
98902	2	75-230	284	180	375	90	6	220	102	160	28	22	4.5	-	-	-
98903	3	80-320	365	220	498	117	8	271	168	240	60	24	9.5	-	-	-
98904	5	80-320	365	220	498	117	10	271	168	240	57	30	11.5	-	-	-

Heavy Hand-pushed Monorail Trolley

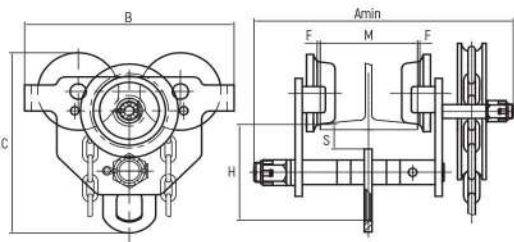


- Suitable for hanging slings on I-steel and pushing trolley through the steel trough by hand
- Safety factor higher than 4:1 for safety and reliability
- Adjustable clamping range for I-beams in various width

No.	Rated load (tons)	Min. curve radius passable (m)	Main dimensions						Track width range	Unit Weight (kg)			
			A min. (mm)	B (mm)	C (mm)	H (mm)	S (mm)	F (mm)					
98911	1	1.0	311	246	222	125	38	1.5-3.0	64-203	9.5	-	-	-
98912	2	1.1	327	276	263	150	38		88-203	15.5	-	-	-
98913	3	1.3	343	332	309	171	40		100-203	25.0	-	-	-
98914	5	1.4	355	377	353	196	42		114-203	39.0	-	-	-



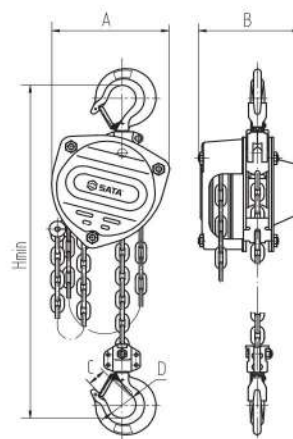
Heavy Hand-pushed Monorail Trolley



- Suitable for hanging slings on I-steel and pushing trolley through the steel trough by hand
- Safety factor higher than 4:1 for safety and reliability
- Adjustable clamping range for I-beams in various width

No.	Rated load (tons)	Standard operating height (m)	Min. curve radius passable (m)	Main dimensions						Track width range	Unit Weight (kg)	📦	📦	📦
				A min. (mm)	B (mm)	C (mm)	H (mm)	S (mm)	F (mm)					
98916	1	3	1.0	338	246	222	125	38	1.5-3.0	64-203	13.0	-	-	-
98917	2		1.1	349	276	263	150	38		88-203	18.5	-	-	-
98918	3		1.3	362	332	309	171	40		100-203	28.5	-	-	-
98919	5		1.4	374	377	353	196	42		114-203	42.0	-	-	-

Hand Chain Hoist

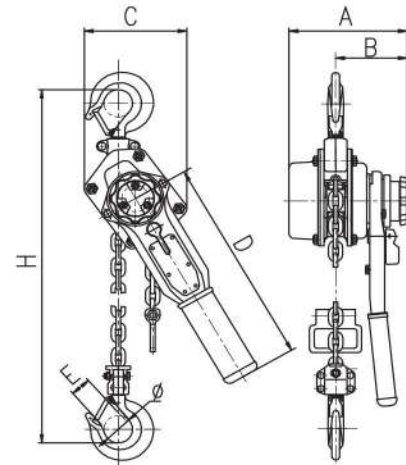


- High strength soft hook with safety clamp is adopted to effectively prevent breakage and decoupling
- High mechanical efficiency and low hand pull force
- Symmetrical double pawl design, reliable braking effect
- The shell has high stiffness and strong anti-falling deformation ability
- The safety factor is over 4:1, safe and reliable to use
- The integral bearing is used in the interior, which is convenient for disassembly, assembly and maintenance
- Implement standard JB/T7334-2016

No.	Lifting Weight (metric ton)	Lifting Height (m)	Lifting Chain		Hand Pull (N)	Main Dimensions(mm)					Unit Weight(kg)	📦	📦	📦
			Number of Load Chain falls	Diameter x Pitch Ø XP		A	B	C	D	H min.				
97861	1	3	1	6×18	250	172	151	26	40	360	12	1	1	12.8
97862	1	6	1	6×18	250	172	151	26	40	360	16.8	1	1	17.6
97863	2	3	1	8×24	340	210	175	34	50	470	19.5	1	1	20.5
97864	2	6	1	8×24	340	210	175	34	50	470	26.2	1	1	27.2
97865	3	3	2	7×21	280	230	173	37	55	580	24.4	1	1	25.6
97866	3	6	2	7×21	280	230	173	37	55	580	33.4	1	1	34.6
97867	5	3	2	10×30	390	280	189	46	65	640	41.6	1	1	44.8
97868	5	6	2	10×30	390	280	189	46	65	640	57.3	1	1	60.5



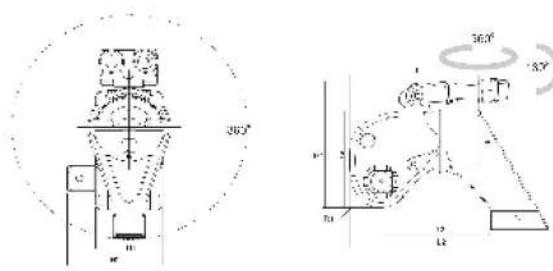
Lever Block Chain Hoist



- High strength soft hook with safety clamp is adopted to effectively prevent breakage and decoupling
- Aluminum alloy handwheel with comfortable handle and light weight
- The design of the wrench reinforces the ribs and has a strong ability to resist falling
- The integral bearing is used in the interior, which is convenient for disassembly, assembly and maintenance
- Implement standard JB/T 7335-2016

No.	Lifting Weight (metric ton)	Lifting Height (m)	Lifting Chain Spec. (mm)	Handle Length (mm)	Pull Force (N)	Main Dimensions(mm)						Unit Weight(kg)	📦	📦	📦
						A	B	C	Ø	E	H min.				
97871	0.75	1.5	6×18	250	200	162	96	140	37	24	350	6.7	1	1	72
97872	0.75	3	6×18	250	200	162	96	140	37	24	350	8.0	1	1	8.5
97873	1.5	1.5	7×21	340	280	181	99	145	42.5	29	400	10.0	1	1	10.8
97874	1.5	3	7×21	340	280	181	99	145	42.5	29	400	11.7	1	1	12.5
97875	3	1.5	10×30	280	350	206	112	199	55	40	500	19.3	1	1	20.3
97876	3	3	10×30	280	350	206	112	199	55	40	500	22.6	1	1	23.6

Dr. Hydraulic Wrench

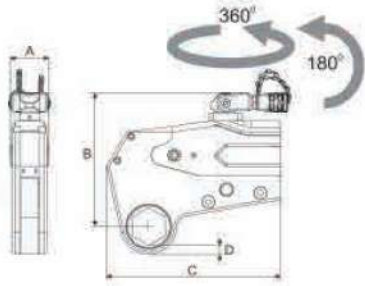


- It is made of new Al-Ti alloy of high hardness and high strength alloy steel
- The reaction arm allows 360° rotation to adjust and the tenon-type connection design facilitates the position adjustment according to different working conditions
- 360x180° oil inlet can be adjusted by universal rotation
- Unique chrome plating process makes the surface capable of rust proof, the reliable and durable double anti-reversing claw is provided with a ntilocking function, effectively improving the work efficiency
- Output accuracy: +/-3%, Repeat accuracy: +/-1%

No.	Driving Head Size	L1(mm)	L2(mm)	H1(mm)	H2(mm)	H3(mm)	H4(mm)	R1(mm)	R2(mm)	Min. Torque		Max. Torque		Bolt Range(mm)	Weight		📦	📦	📦
										(LBF.FT)	(N.m)	(LBF.FT)	(N.m)		(LB)	(KG)			
99050	3/4"	126	193	51	72	92	132	26	115	203	270	1366	1950	16-36	5.29	2.4	-	1	4
99051	1"	162	244	68	95	125	167	34	135	446	650	3031	4650	22-48	11.34	5.15	-	1	7
99052	1-1/2"	210	271	81	123	150	195	40	140	811	1150	5663	7650	27-56	19.5	8.86	-	1	10.5
99053	1-1/2"	223	295	91	131	168	220	48	154	841	1200	6890	9400	30-64	28.2	12.8	-	1	15.5
99054	1-1/2"	244	370	101	145	188	232	51	262	1538	2100	10910	14800	36-72	35.9	16.3	-	1	20
99055	2-1/2"	311	388	121	184	221	273	60	187	2960	4050	20115	27200	42-90	66.98	30.41	-	1	38
99056	2-1/2"	331	409	138	200	248	230	67	199	3817	5150	25697	34750	48-100	85.9	39	-	1	48
99057	2-1/2"	354	540	149	220	278	315	77	323	5235	7150	37756	51000	64-120	95.15	43.2	-	1	53



Hydraulic Offset Ring Wrench



- 360° × 180° swivel allow movement of duplex hose
- Steel alignment pins connect lower reaction area for added strength
- Narrow nose radius allows to fit in applications where clearance constraints make other tools too big
- Rust-resistant finish
- Bronze bushing anti galling
- Output accuracy: +/-3%, Repeat accuracy: +/-1%

No.	Hexagon Head Size(mm)	Min. Torque		Max. Torque		Weight(kg)		External Dimension(mm)				📦	📦	📦
		(LBEFT)	(N.m)	(LBEFT)	(N.m)	Cylinder Block	Connector	A	B	C	D			
99060	30-60	182	250	2108	2850	1.99	148-1.85	32	148.8-156.8	168.0-175.5	9.1-11.7	-	1	5
99061	41-80	357	470	4336	5800	3.35	3.05-3.95	414	172.9-189.2	2044-220.8	12.7-13.7	-	1	9.5
99062	50-105	750	1050	9800	13200	6.54	6.25-8.60	52.5	210.4-235.4	2681-283.9	13.7-19.5	-	1	15.5
99063	70-115	1437	1950	15444	20800	9	11.98-14.16	64	245.7-258.3	326.7-344.7	19.5-23.0	-	1	26
99064	80-155	2910	3951	34421	46500	16.1	25.10-30.36	82.5	287.6-313.1	422.5-442.5	23.0-26.0	-	1	55

Hydraulic Hose



- Twin pipe coated with polyurethane for both oil and aging resistance
- Pipe body with safety factor of 4 and wound with 6 layers of steel wire for safety and anti-bursting

No.	Spec. (m)	Pipe Diameter(in.)	Length		Size at Both Ends(in.)	Working pressure(bar)	Burst pressure(bar)	📦	📦	📦
			(FT)	(m)						
99035	6	1/4"	20	6	1/4"	1/4"	700	-	1	5
99037	12	1/4"	40	12	1/4"	1/4"	700	-	1	10



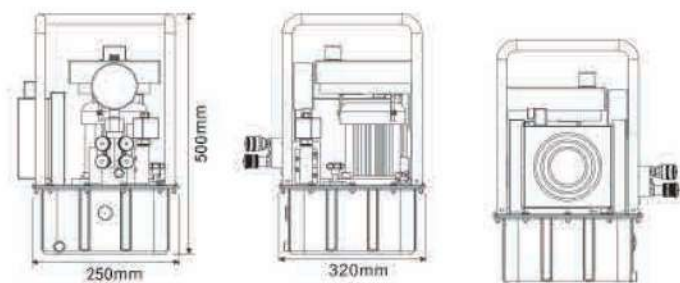
99030 Electric Hydraulic Pump, Brush Motor



- External pressure regulating valve for high accuracy
- Built-in safety relief valve for safety
- Carbon-brush high-speed motor capable of automatic idling protection and shutdown with safety start button for quick restart
- Built-in air cooling system for safety
- Large flow provided for high efficiency

No.	Speed(RPM)	Noise Level(dB)	Motor(kW)	Ampere	Flow(L/min)				Oil Tank(L)	Available Oil Amount(L)	Unit Weight(kg)	-	1	40
					0(Bar)	50(Bar)	350(Bar)	700(Bar)						
99030	12000	80	0.84	25/110V 13/220V	11.3	71	1.2	0.9	8	7	32	-	1	40

99032 Electric Hydraulic Pump, Brushless Motor



- External pressure regulating valve for high accuracy
- Built-in safety relief valve for safety
- Carbon-brush high-speed motor capable of automatic idling protection and shutdown with safety start button for quick restart
- Built-in air cooling system for safety
- Large flow provided for high efficiency

No.	Speed(RPM)	Noise Level(dB)	Motor(kW)	Ampere	Flow(L/min)			Oil Tank(L)	Available Oil Amount(L)	Unit Weight(kg)	-	1	42
					70(Bar)	350(Bar)	700(Bar)						
99032	1800	70	11	13/220V	16	1.5	0.85	8	7	33	-	1	42