

"A high quality product made from a combination of aluminium alloy extrusion, hard-wearing resilient carpet and durable vinyl"

4 Choices of Framework

Four Choices of Framework to suit your requirements:



DS PLATINUM MAT

- Versatile for modern construction applications
- Suitable for heavy human traffic
- Accessible for wheeled traffic
- Heel Proof

Thickness : 10mm

Recess Depth : 14mm

Weight: 12.50 kg/m²



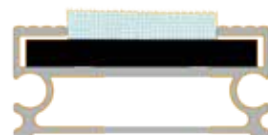
DS FLEXI MAT

- Able to roll up for easy cleaning
- Good water drainage system
- Suitable for heavy human traffic
- Accessible for wheeled traffic
- Heel Proof

Thickness : 16mm

Recess Depth : 20mm

Weight: 14.10 kg/m²



DS ULTRA-FLEXI MAT

- A modified version of DS Flexi Mat
- Greater carpet exposure
- Optimal water absorption
- Excellent acoustic performance

Thickness : 16mm

Recess Depth : 20mm

Weight: 13.40 kg/m²



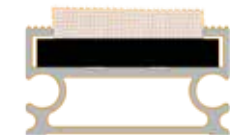
DS DELUXE MAT

- The latest design of DS Series
- Slim line yet stunning in performance
- Able to roll up for easy cleaning
- Excellent acoustic performance

Thickness : 16mm

Recess Depth : 20mm

Weight: 14.30 kg/m²



DS Flexi Mat

DS Flexi Mat is the perfect choice for outdoors application. It features capacity to collect large amount of dirt and water.

Between the aluminium rails, the joint is made of high resilient vinyl with perforated holes. During downpour, the rain water will flow through the holes and discharge through the floor traps found beneath the mats, thus prevents the mats from excessive soaking.

DS Flexi Mat provides effective solution for dirt and water control even before it has chance to enter the building.



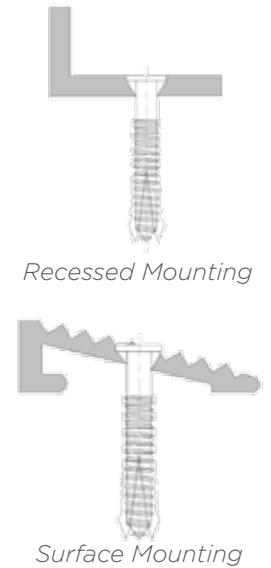
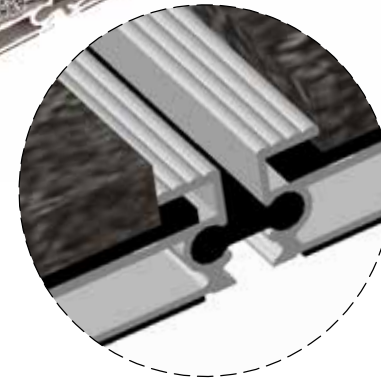
- Able to roll up for easy cleaning
- Good water drainage system
- Suitable for heavy human traffic
- Accessible for wheeled traffic
- Heel Proof



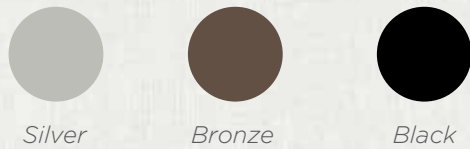
Festive Hotel, Sentosa

Specifications

Model	DS FLEXI MAT
Thickness	16mm
Carpet Threads	100% Polypropylene with Acrylic Resin Lock Coat
Carpet Texture	Velour
Flammability	Tested to AS 1503.3
L Angle Frame	20mm x 20mm x 3mm thick made of aluminium extrusion grade 6063-T6
Filler Block	Up to 16mm thick made of aluminium extrusion grade 6063-T6
Aluminium Rail	38mm wide made of aluminium extension grade 6063-T6
Base Cushion	Foam Strip



Available Aluminium Rail Finishes:



Insert Options

