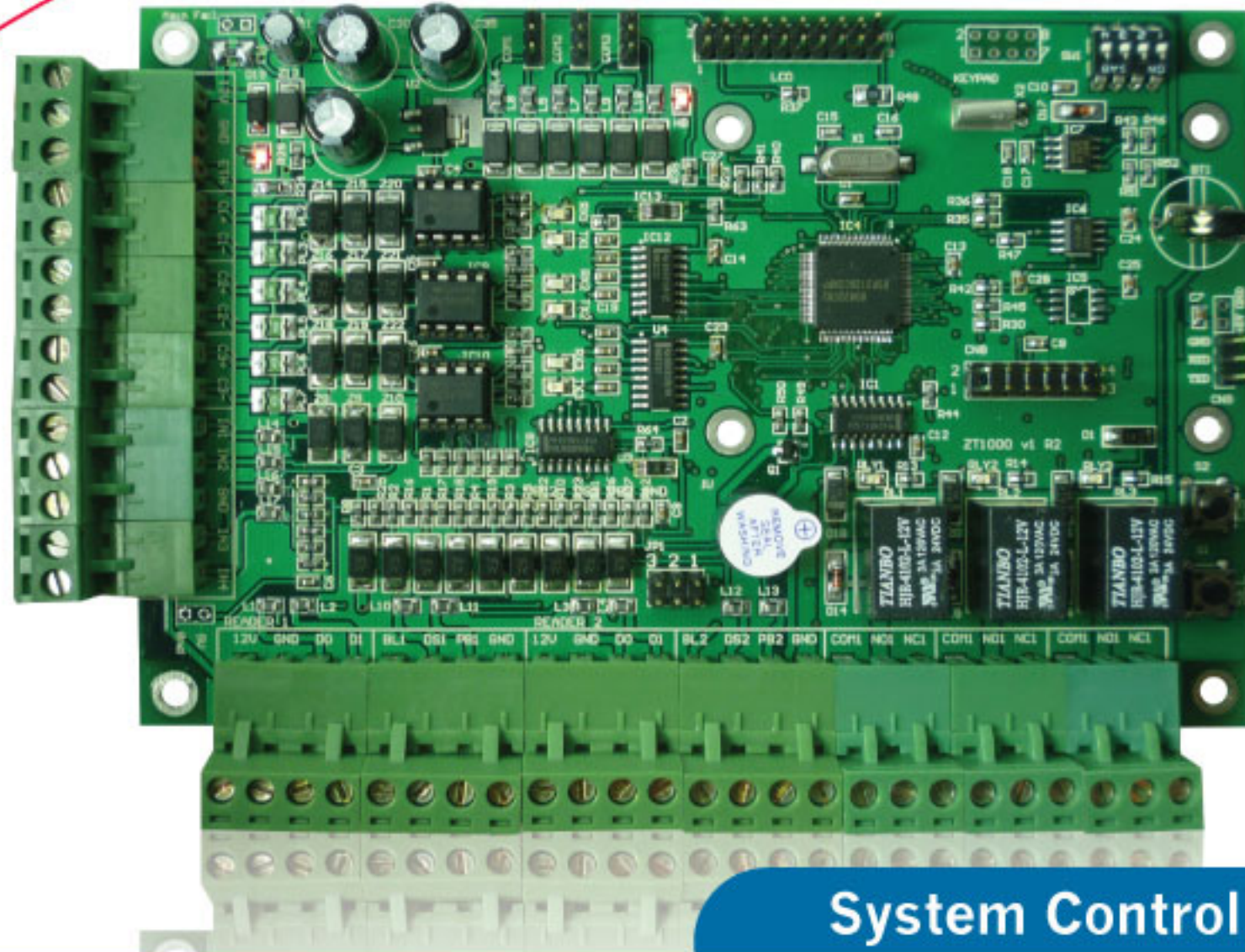


EP3000

NEW COMPLETE SOLUTIONS

Access Control System





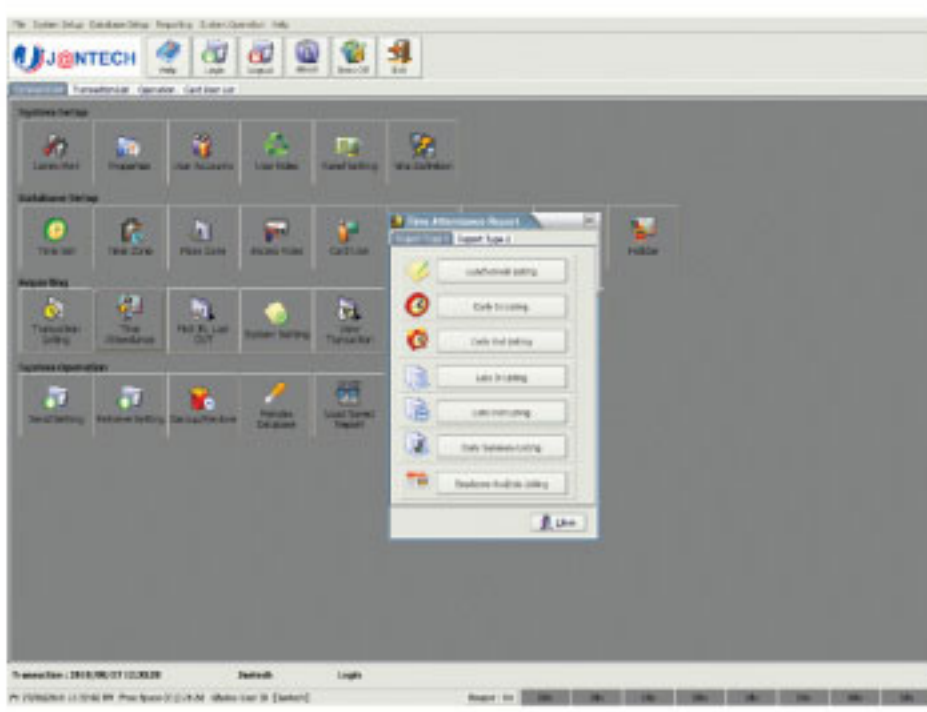
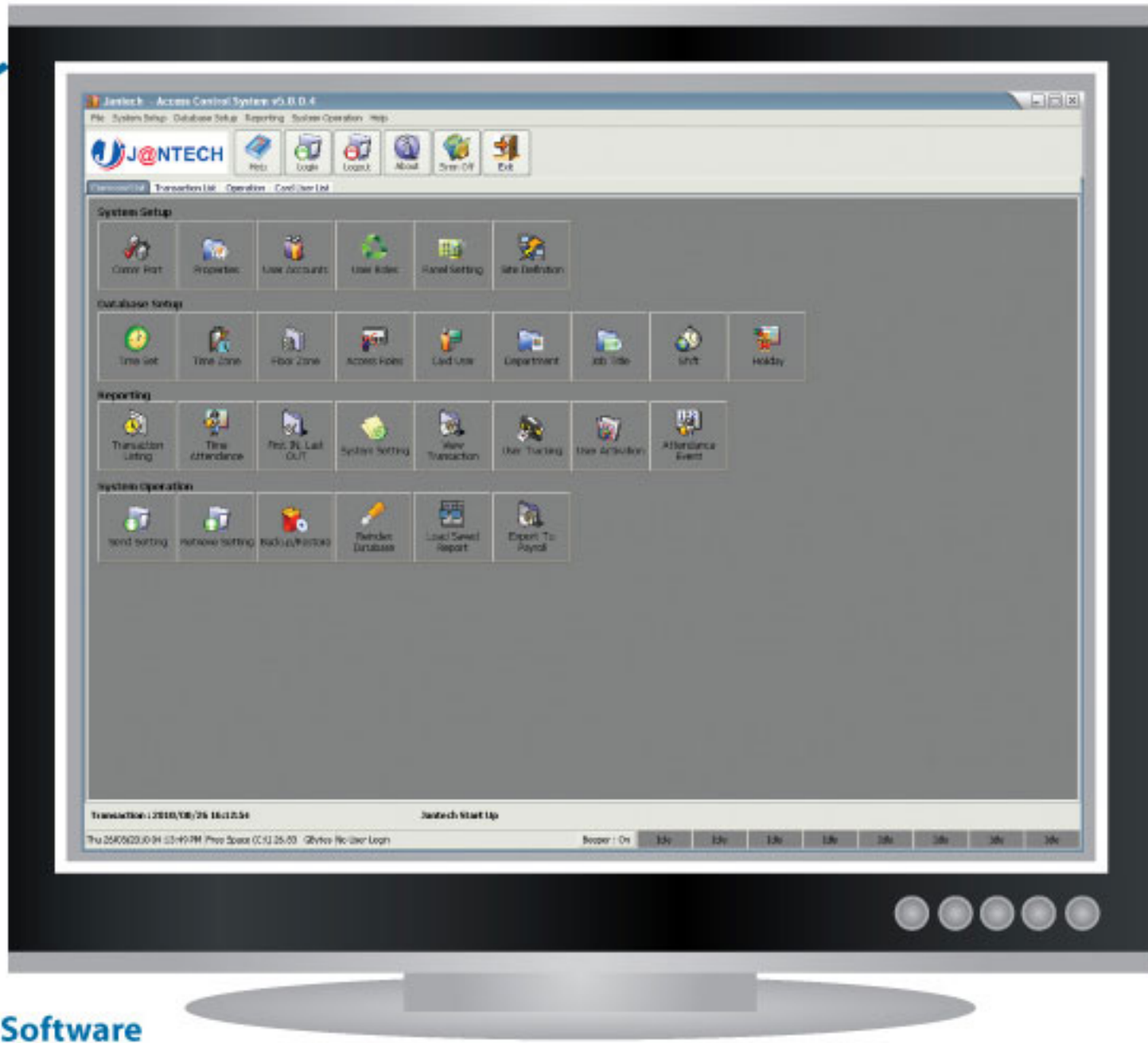
System Controller

Technical Specification

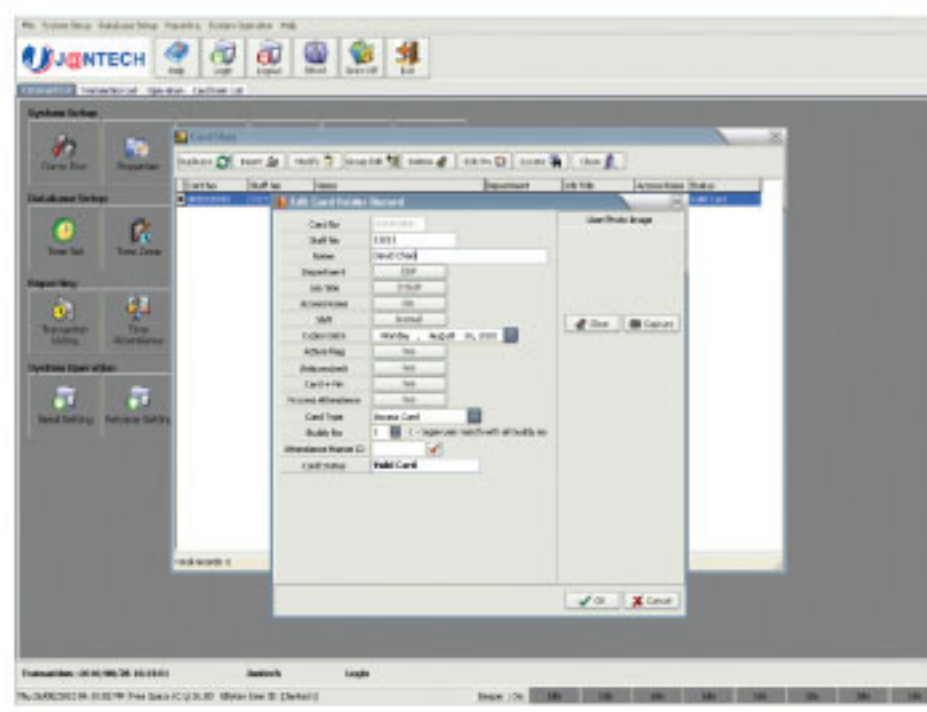
Card Storage	5,000
Local Pin	10 sets
Transaction Events	10,000
Operation Mode	Single Door Mode (In & Out Reader) Dual Door Mode (2 In Reader) Car Park Mode (In & Out Barrier) Emergency Door Mode (2 Door Monitoring)
Card Number Reading	10 Digits
Anti-passback	Local and Global Anti-passback
Holidays	60
Time Set	128
Time Zone	128
Access Level	128
Facility Codes	Jantech 10 Sets Code
Support Keypad	LCD Keypad , HID, Rosslare
Doors Interlocking Capability	Yes
Provide Alarm Output	Yes
Supported Readers	RFID : 26 bits, 125 kHz MIFARE : MFIS50/S70 , 13.56MHz HID : HID 1326, 26 bits, 125 kHz
Communication	RS232/RS485, TCP/IP (EP 3000N only)
Operating Voltage	9 VDC to 14 VDC
Operating Current	500 mA
Operating Temperature	0 ~ 66 °C
Dimension (PCB only)	W 155 mm x H 95 mm
MCU Speed	16 bits 24MHz
Memory	8MB Flash Memory, 512KB RAM
Supervised Input	4 TTL Inputs for Door Operation 4 TTL Inputs for Operation Aux. Input
Output	3 Relays Outputs, 2 Open Collector Outputs
On Board Buzzer	Yes
Internal Back Up Battery Surge Protection	Yes
Power Protection	Resettable Fuse
Built in Calendar	Yes
Built in Real Time Clock (with battery backup)	Yes
Built in Power Up Reset	Yes
Built in Watch Dog Reset	Yes

Some Key Features

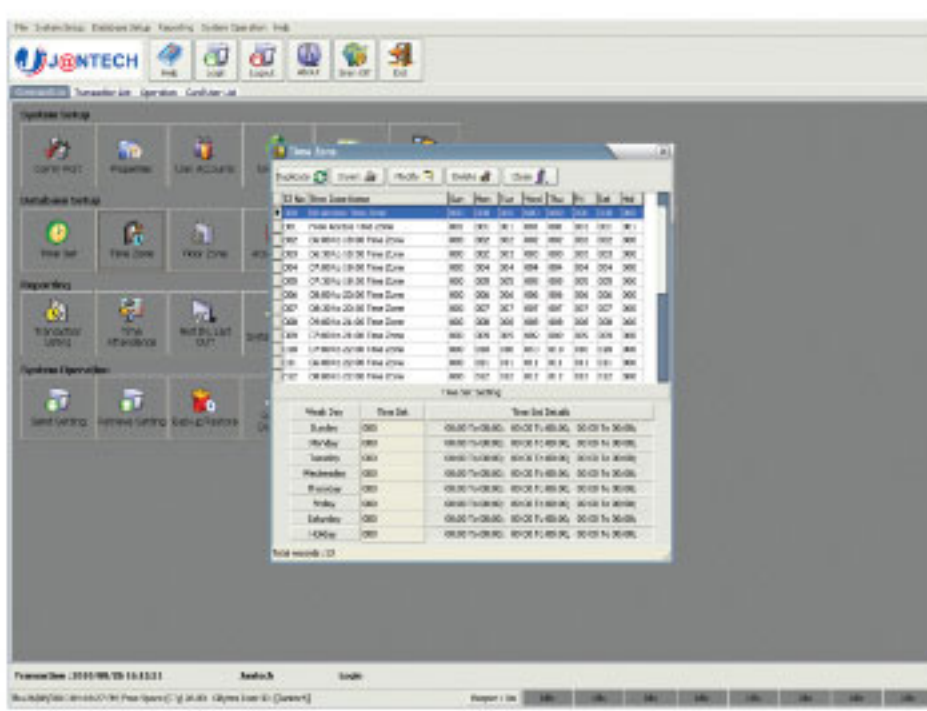
Main Software



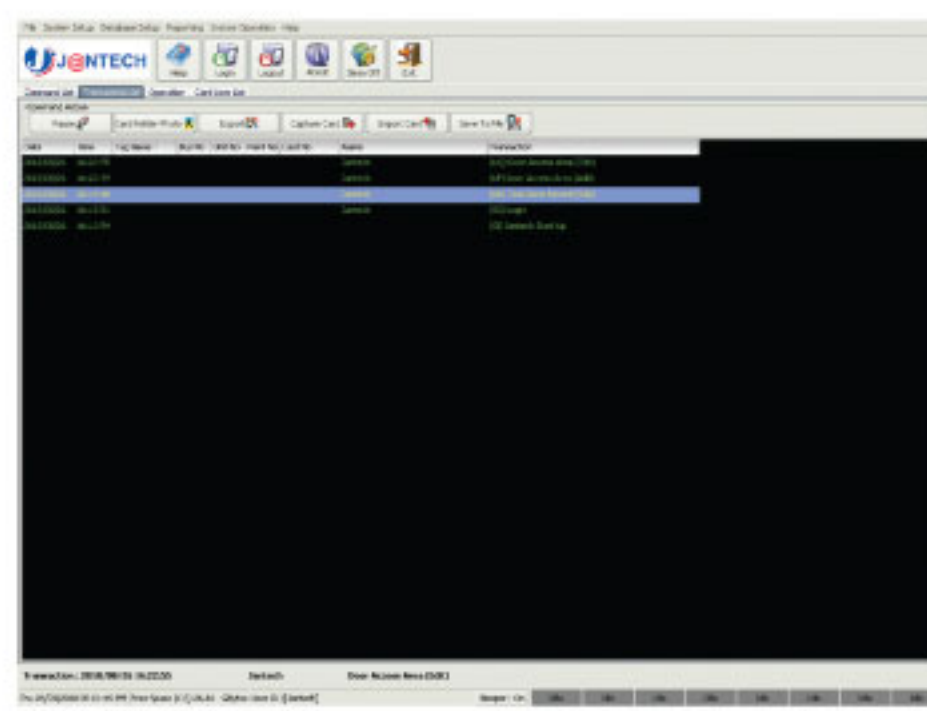
Complete attendance data for exportation to HR, Payroll or third party software



Managing details of users effectively



Setting of Time Zone for Door Access



Useful Online Data Monitoring

Access Control Solutions

www.jantech.com.my



EP-10L

LCD Keypad Reader

Technical Data		Communications	
Surface Finishing	ABS	Method	RS 485
Type of Scanner	RFID antenna	Baud rates	9600
Dimension	W 90 mm x H 140mm x D 27mm	Wiegand	26 bits
Card Technology	RFID : 26 bits, 125 kHz	Temperature °C	-10 ~ 70
Type of LCD	2 x 20 Negative mode	Humidity (%)	20 ~ 80
		Power Input	DC 12V 100mA



EP-10R

Proximity Reader

Technical Data		Communications	
Surface Finishing	Polycarbonate	Method	Wiegand Output
Type of Scanner	RFID antenna	Baud rates	N/A
Dimension	W 55 mm x H 100 mm x D 15mm	Wiegand	26 bits
Card Technology	RFID : 26 bits, 125 kHz	Temperature °C	-10 ~ 70
		Humidity (%)	20 ~ 80
		Power Input	DC 12V 100mA



E- Exit Switch

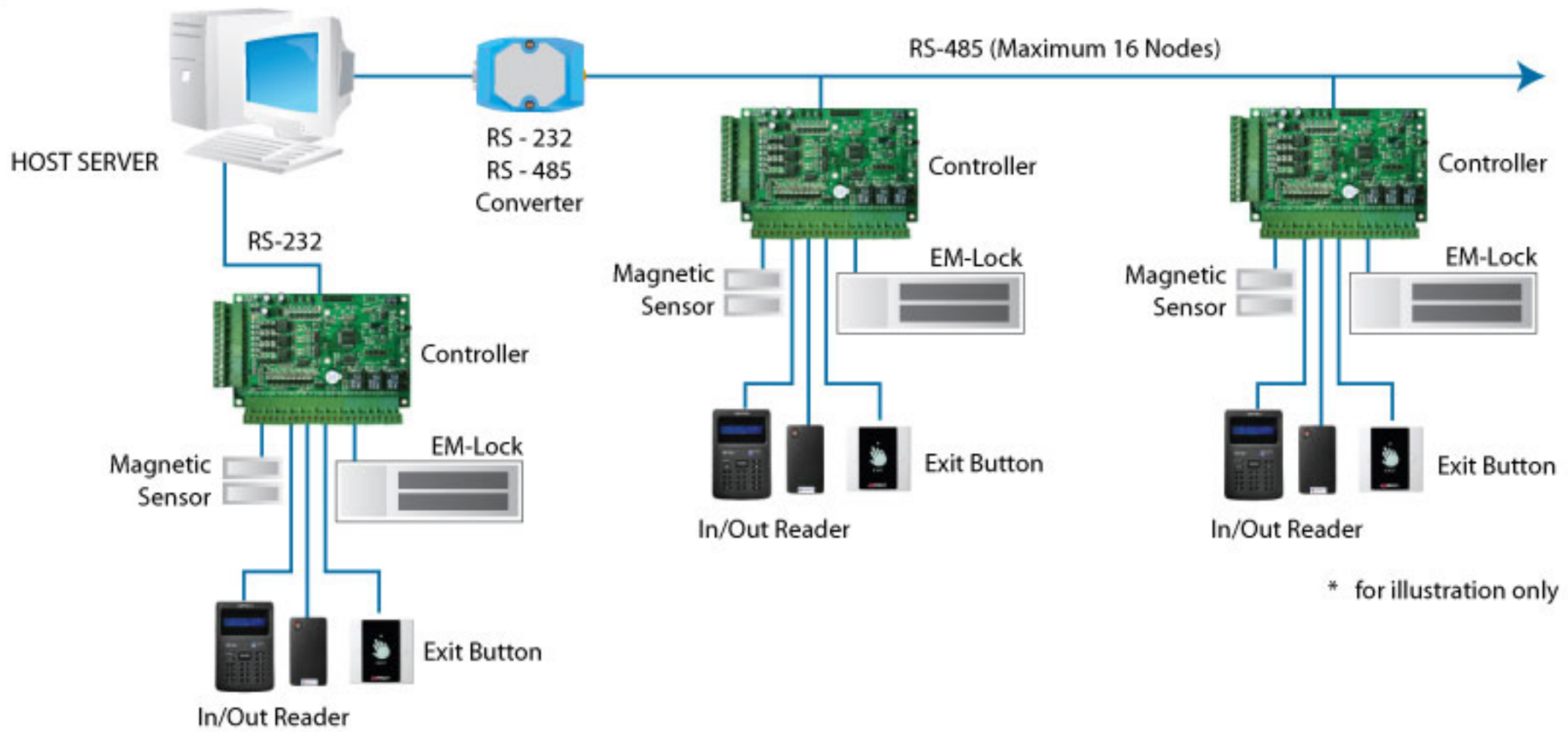
Exit Touch Button

Technical Data	
Operating Voltage	10V to 20V DC, 15mA (4 wires System) Or 5V with 1k Ohm Pull High, 1mA (2 wire system)
Power consumption	Less than 0.2W for 4-wire System Less than 0.005W for 2-wires System
Weight	Approx 80g
Dimension	W 86 mm x H 86 mm x D 11 mm

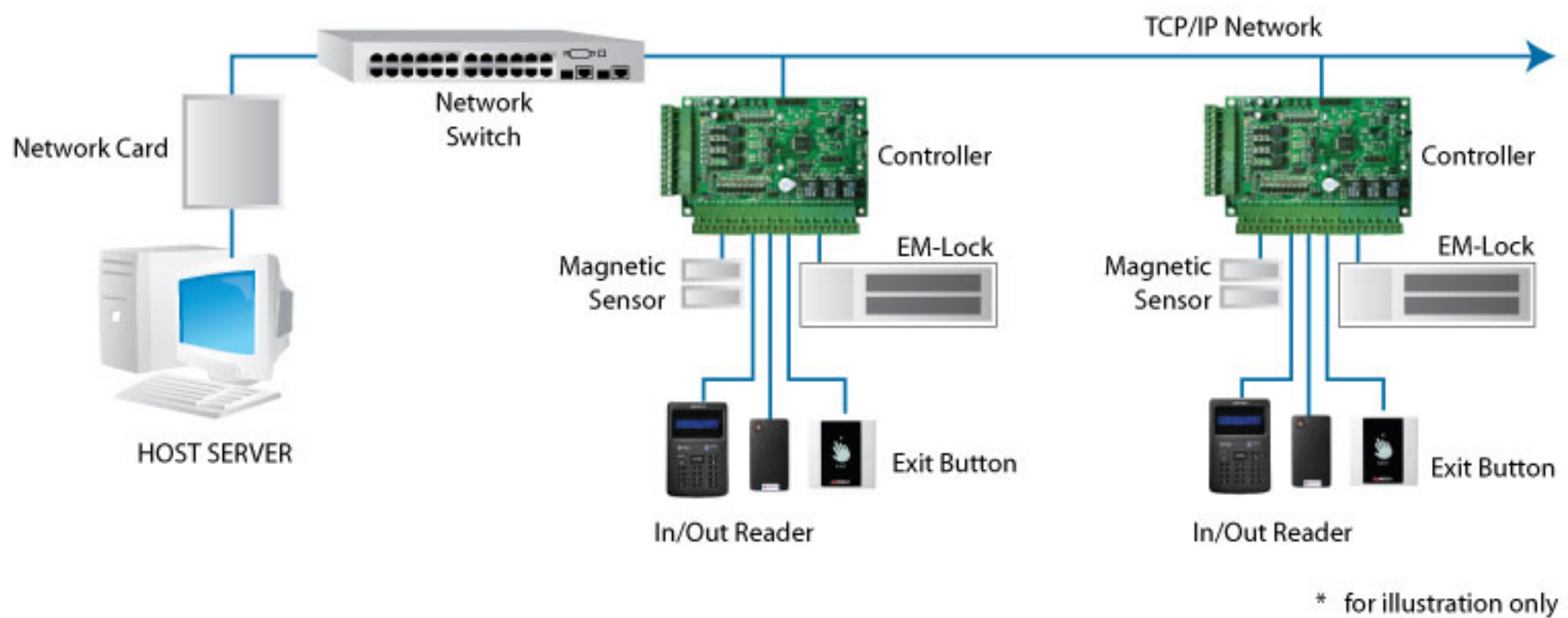


Basic System Diagram

EP-3000S



EP-3000N



Host -PC Specification

Processor	PENTIUM IV @ 2GHz (minimum) INTEL CORE 2 DUO (recommended)	Network Device	10/100 Base-T Network Adapter
RAM	1 GB (minimum) 3 GB (recommended)	Operating System	Window 2000 Window XP Professional (SP1 - SP3) Window Vista Window 7
Hard Disk Space	4 GB (minimum)	Optional Peripherals	A sound card to play alert when an alarm event occurred A printer to print reports
Optimum Screen Resolution	1024 x 768		
Graphic Adaptor	32 MB		
Media Device	48X DVD/CD-ROM Drive		



www.jantech.com.my



HQ

Jantech Technology Sdn Bhd (720852-M)

21, Jalan Jintan, Off Jalan Cheras, Taman Supreme, 56100 Kuala Lumpur, Malaysia

JB

Jantech Technology (JB) Sdn Bhd (891769-U)

G32, Jalan Pinang 52, Taman Daya, 81100 Johor Bahru, Malaysia

Authorised Dealer:

© 2010 Jantech Technology Sdn Bhd. All rights reserved.
Product specification and availability subject to change without notice.
Certain product names mentioned herein may be trade names or
registered trademarks of other companies