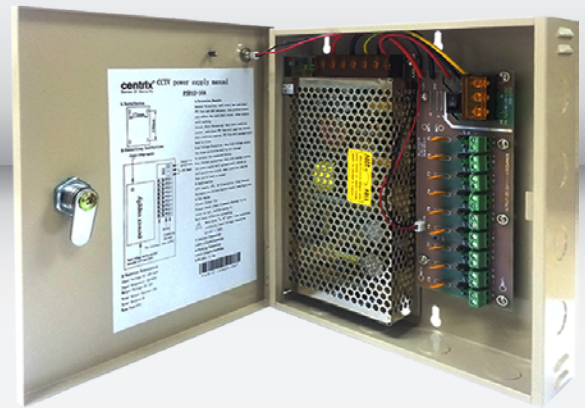


# PSB12-10A

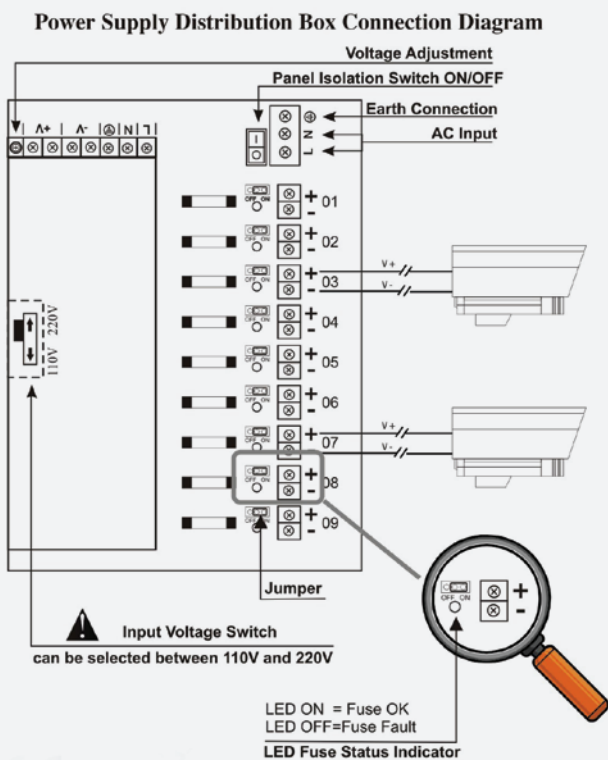
10A POWER SUPPLY UNIT | 9 CHANNEL OUTPUT



## KEY FEATURES

- AC Power LED indicator
- Overload protection
- Short circuit protection
- Individual LED
- Power ON/OFF switch
- Easy installation
- 12VDC

## TECHNICAL DIAGRAM



## TECHNICAL SPECIFICATIONS

Input Voltage	AC100-264V
Input Voltage Frequency	50/60Hz
Dimension	235 x 205x 56mm
Weight	2.2 Kg

### OUTPUT SPECIFICATION

Output Voltage	12VDC +10%
Total Output Current	10A (500mA/output, 9 channels for 9 sets security camera)
Total Output	120W
Fuse Type	PTC Fuse
Fuse Rating	1 Amps / 250VAC

### PROTECTION

General Protection	9 Outputs, PTC Fuse, LED Display, Protection against short circuit, high voltage and over current
Short Circuit Protection	When short circuit occurs, the fuse would protect the individual channel. If the fuse is blown, replace it with a 1Amp/250VAC fuse
Overload Protection	105% - 150% hiccup mode, auto recovery
Over-Voltage Protection	115% - 135%

### Others

Temperature & Humidity	10°C ~ +60°C, 20% ~ 90%RH
Store Temperature & Humidity	-20°C ~ +85°C, 10% ~ 95%RH

### Application

CCTV	Camera, PTZ, IR Illuminators, Video Process Equipment
------	---