

SW24GFP

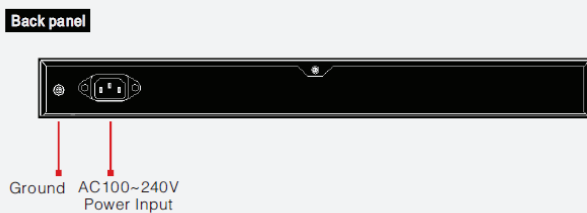
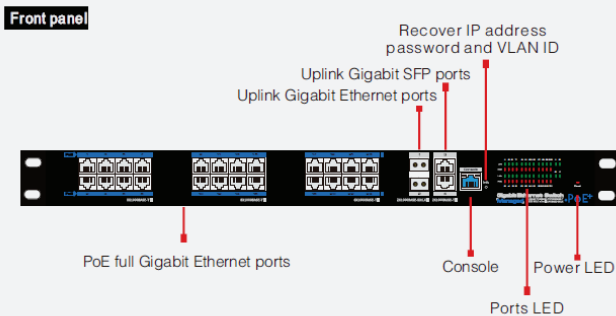
24 PORTS L2 FULL GIGABIT POE SWITCH



KEY FEATURES

- Provide 24* PoE Gigabit downlink Ethernet ports , 2* Gigabit uplink optical fiber ports and 2* Gigabit uplink Ethernet ports
- Provide web-based layer 2 network management and PoE management by simple operation
- Support high-speed data forwarding, very suitable for large flow of video data forwarding in security surveillance
- Support recovery of IP address & user password by one key recovery button
- Quick Installation, simple operation, convenient for wall/desk/rack installation

TECHNICAL DIAGRAM



TECHNICAL SPECIFICATIONS

Power Supply	Mains on load
Voltage Range	AC 100~240V
Power Consumption	420W
Ethernet Ports	1~24 ports: 10/100/1000Mbps adaptive Ethernet ports support IEEE 802.3 af/at Uplink: 10/100/1000Mbps adaptive Ethernet port Uplink: 1000Base-X SFP Module port
Transmission Distance	Ethernet ports: 100m; SFP ports depend on SFP module
PoE	Each port <30W Whole machine < 370W
Network Standard	IEEE802.3, IEEE802.3u, IEEE802.3ab, IEEE802.3z, IEEE802.3X, IEEE802.3Q, IEEE802.31Q, IEEE802.3p, IEEE802.3.ad
Switch Capacity	56Gbps
Packet Buffer	12Mb
Packet Forwarding Rate	41.66Mbps
MAC Address	16K
Management	Management L2 + PoE
ESD	6KV/8KV per: IEC61000-4-2
Lightning Protection	6KV per: IEC61000-4-5
Working Temperature	-10°C~50°C
Storage Temperature	-40°C~85°C
Humidity(non-condensing)	0~95%
Dimension(L x W x H)	442 x 315 x 44
Material	sheet metal
Color	black
Weight	1.5kg