

LED 100W 90D MODULAR INDUSTRIAL LIGHT



GENERAL SPECIFICATION

Input voltage	AC 240V
Power factor	>0.9
Operating temperature	20~50°C
Color Rendering Index	>RA 80
IP Class	IP 65
Materials	Aluminum (Fin type) , Polycarbonate
Warranty	2 years

IN COLLABORATION WITH



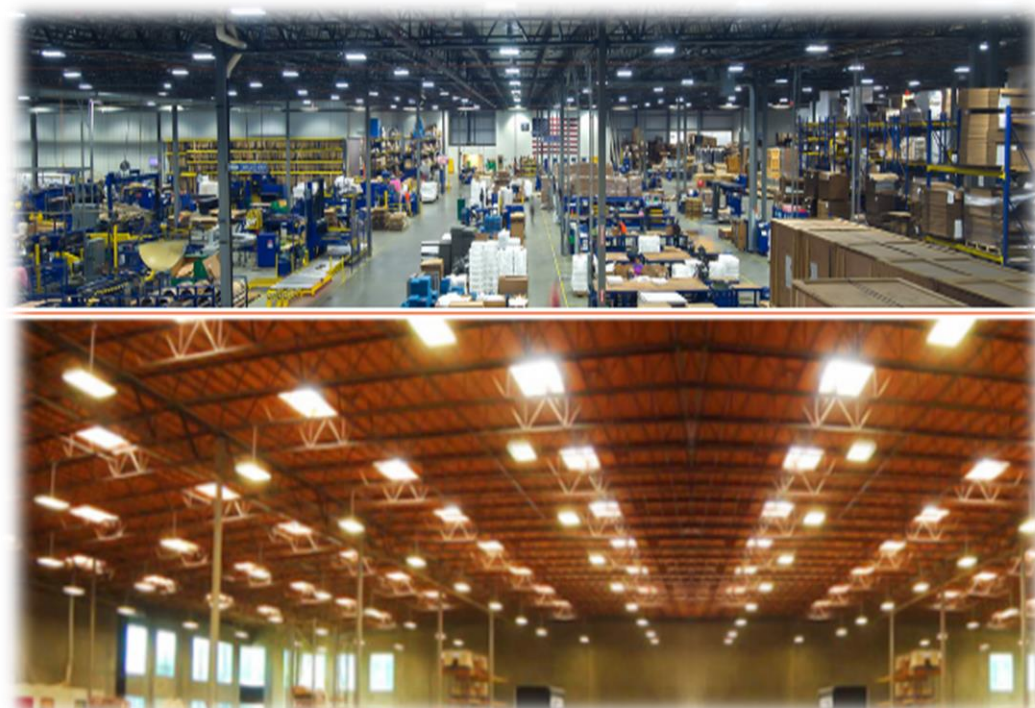
LUXEON 3030 2D

	Wattage (W)	Luminous Flux (Lm)	System Efficiency (Lm/W)	Color Temperature (K)
HLP-HBM2-100D90-PZ-V	100	10743.2	107.43	2800K (Warm White) 4000K (Nature White) 5700K ~ 6000K (Cool White)

*V refers to color temperature. (w/w=3000K(warm white), n/w=4000K(natural white), and w=5700K(white)).

APPLICATION

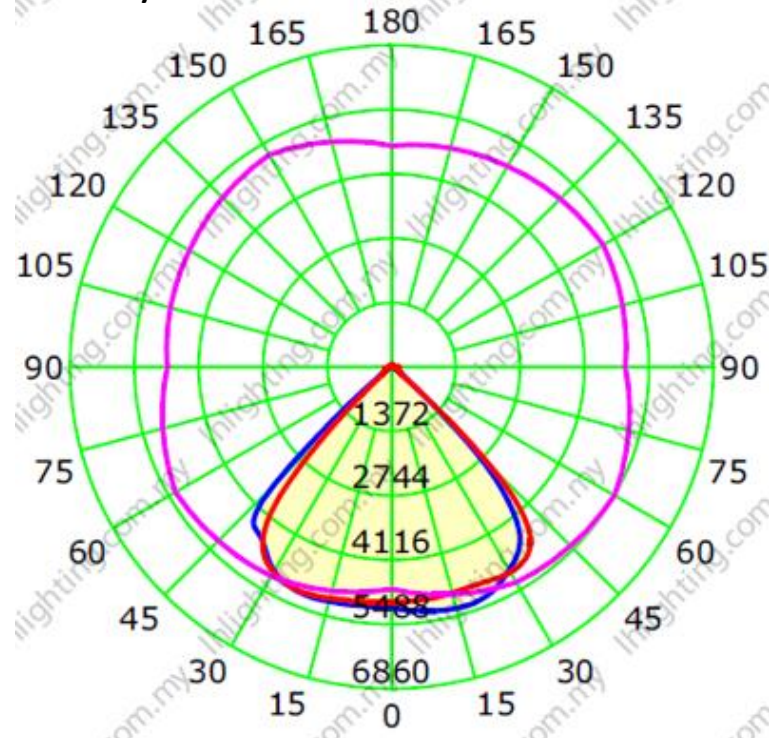
Warehouse, Auditorium (halls), Shopping Production Areas & Factories



* All LED components are subjected to LED manufacturer and warranty terms and conditions
* Specifications are subjected to change without prior notice

PHOTOMETRIC DATA

Luminous Intensity Distribution Curve



Average Diffuse Angle(50%): 90.1 Unit: cd

— C0-C180 — C90-C270 — G35

The Average Illuminance Effective Figure

Dist(m)	Enadir(lx)	Dh/Dv B(m)	S_B(sq.m)	Eav_B(lx)
1.0	5148.81	2.03/1.97	3.6	1229.23
2.0	1287.20	4.07/3.94	14.2	307.31
3.0	572.09	6.10/5.92	32.1	136.58
4.0	321.80	8.14/7.89	57.0	76.83
5.0	205.95	10.17/9.86	89.0	49.17

10.0 51.49 20.35/19.72 356.2 12.29

15.0 22.88 30.52/29.58 801.4 5.46

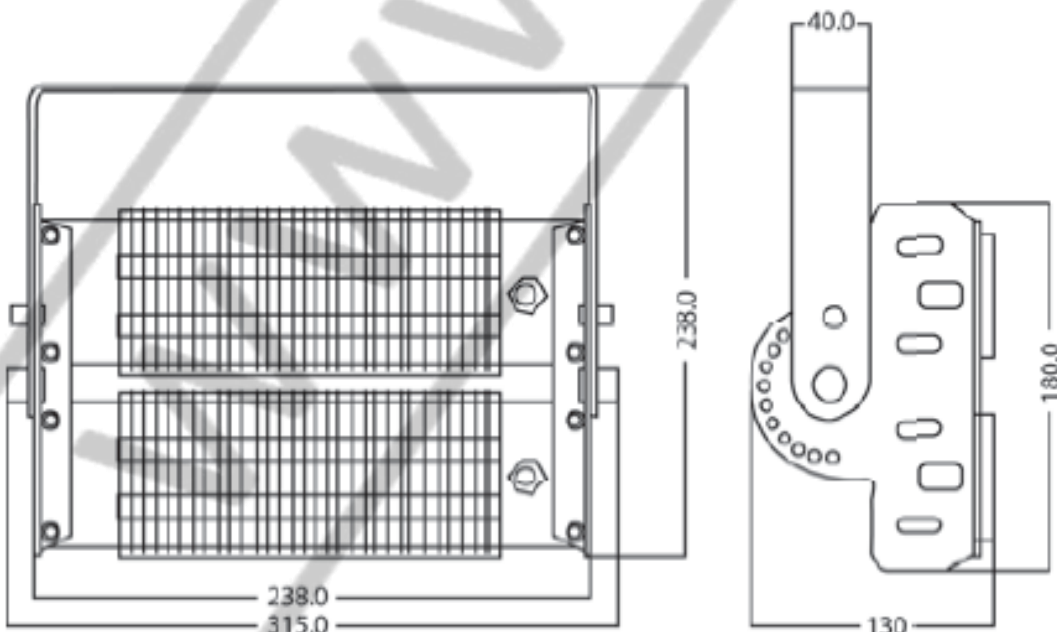
20.0 12.87 40.70/39.44 1424.7 3.07

25.0 8.24 50.87/49.31 2226.1 1.97

30.0 5.72 61.05/59.17 3205.5 1.37

Dv Beam Angle(B): H91.0 V89.2 Field Angle(F): H101.8 V98.2

DIMENSIONS



TECHNICAL DATA

LUMINAIRE TECHNICAL DATA

- Operating Temperature : 20 °C ~ 50°C
- Ingress Protection : IP 65

COMPLIANCE STANDARD

- LED : LM80
- Luminaire : LM79-08

LED TECHNICAL DATA

- LED Light Source : Lumileds LUXEON 3030 2D
- Rendering index : > RA 80
- LED Life Cycle : 52,000 hours

POWER SUPPLY

- Power Factor : > 0.9
- Output Current : 2.4 A
- Life Cycle : > 36,000 hours

	HLP-HBM2-100D90-PZ-V
length (mm)	315
Width (mm)	180
Height (mm)	130

* All LED components are subjected to LED manufacturer and warranty terms and conditions

* Specifications are subjected to change without prior notice