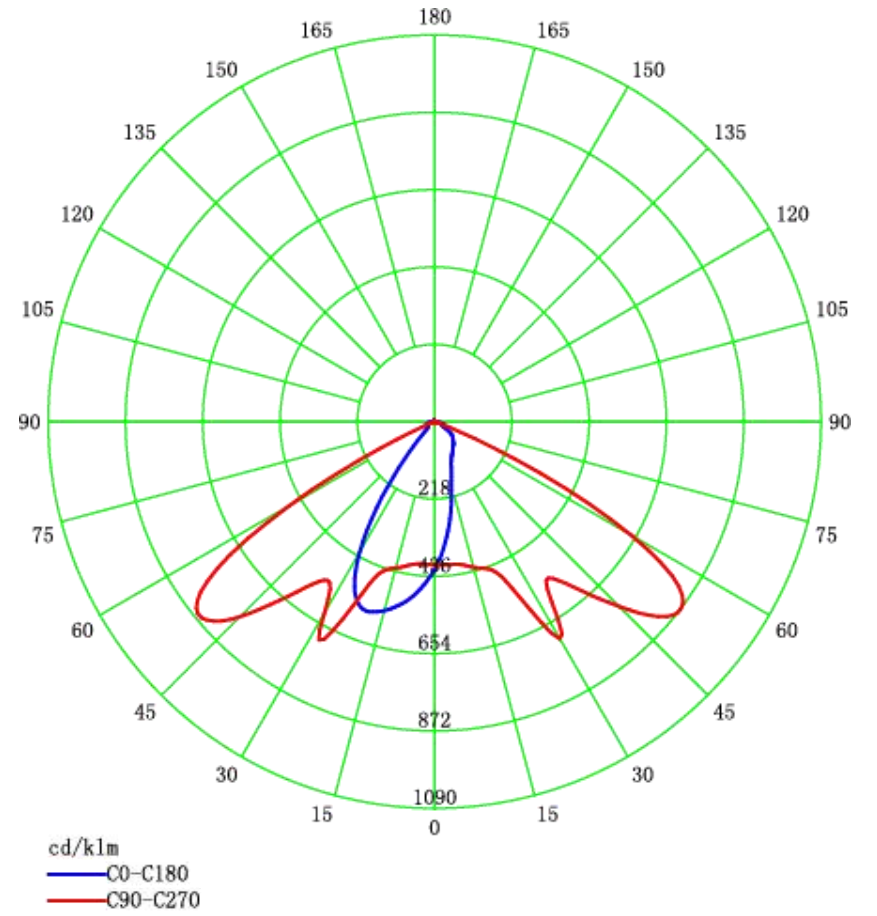


DL Series Street Light 50w

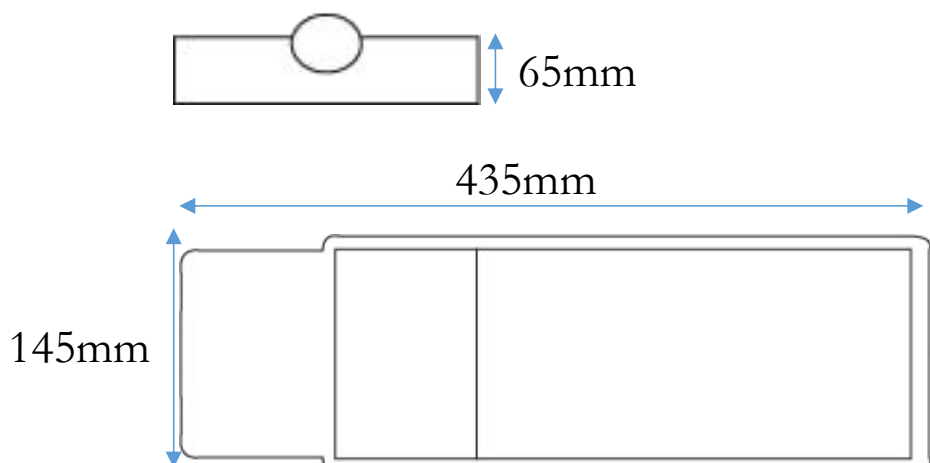
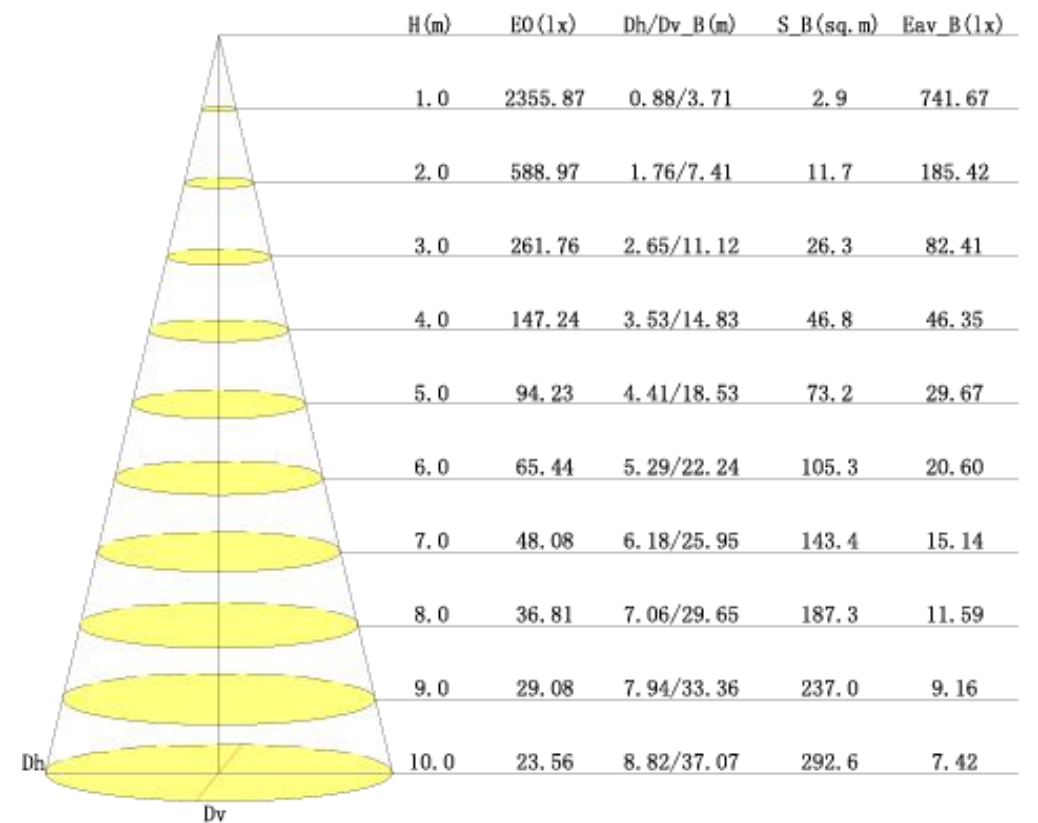


- Code : HLP-EC-SL50-PZ-V
- Power Consumption : 50W
- Input Voltage : AC 110-240V
- Input Current : 0.231A
- Frequency : 50/60Hz
- Power Factor : 0.9 PF
- Operating Temperature : 20~50°C
- CRI : >70
- Luminous Flux : 5653.3 Lm
- Luminous Efficiency : 113.06 Lm/w
- CCT : 3000K / 4000K / 5700K
- LED Source : Philips Lumileds 3030 (LM80)
- Driver : HLP Driver
- IP Rating : IP 65
- Beam Angle : 120°x 45°
- Lifespan : >20,000H
- Material : Die Cast Aluminium, Polycarbonate
- Dimension : 435*145*65
- Warranty : 2 Years

Luminous Intensity Distribution Curve



The Average Illuminance Effective Figure



Application Area

Amenity Lighting, Small road, Garden Road and Factory Area.



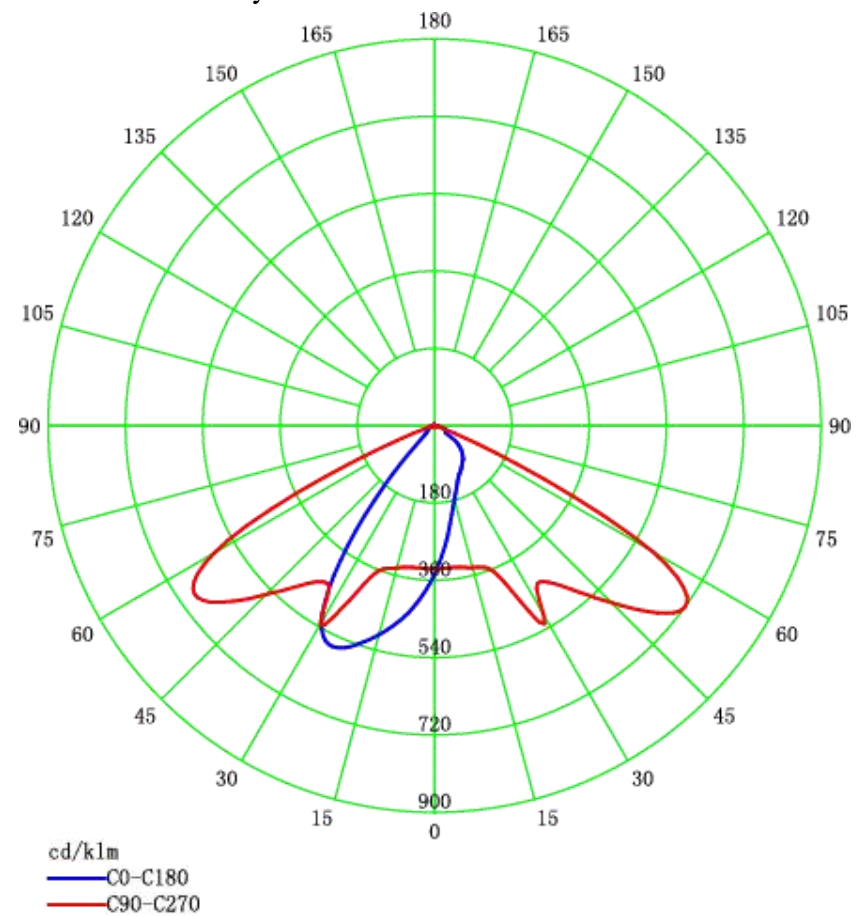


DL Series Street Light 100w

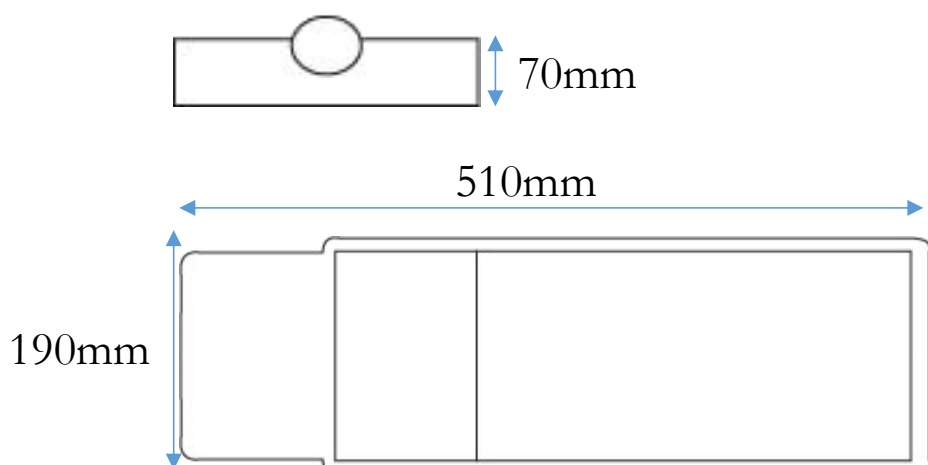
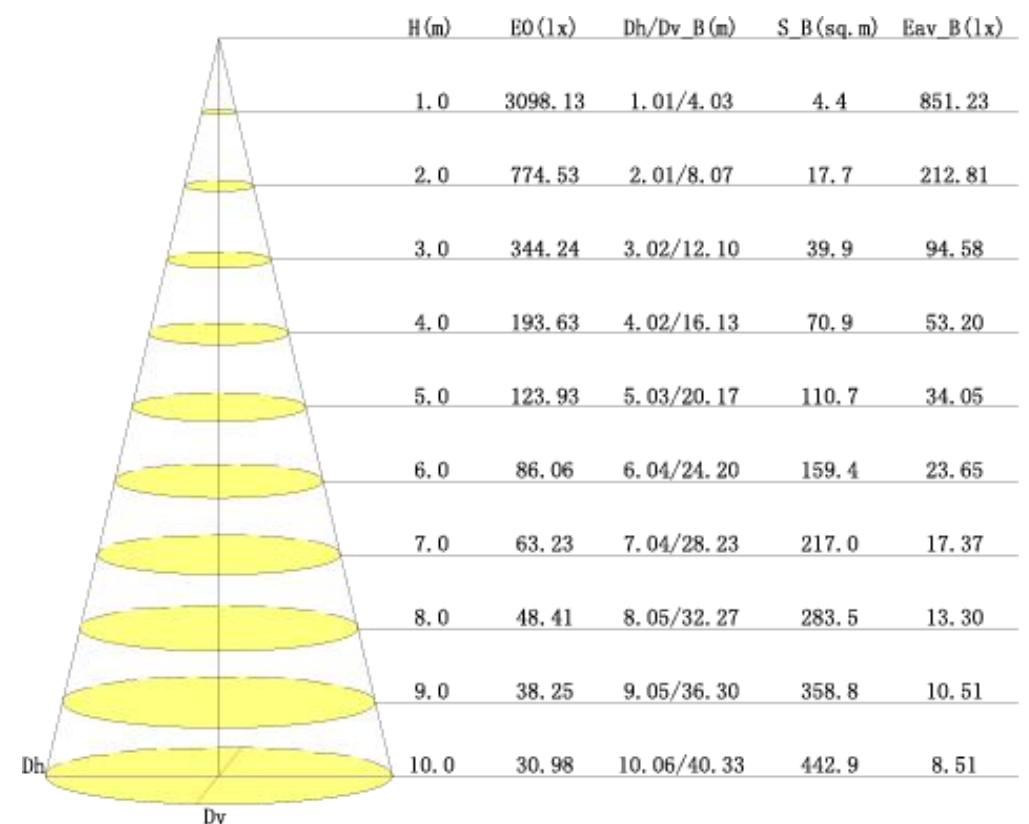


- Code : HLP-EC-SLDDL100-PZ-V
- Power Consumption : 100W
- Input Voltage : AC 110-240V
- Input Current : 0.370A
- Frequency : 50/60Hz
- Power Factor : 0.9 PF
- Operating Temperature : 20~50°C
- CRI : >70
- Luminous Flux : 8990.5 Lm
- Luminous Efficiency : 89.91 Lm/w
- CCT : 3000K / 4000K / 5700K
- LED Source : Philips Lumileds 3030 (LM80)
- Driver : HLP Driver
- IP Rating : IP 65
- Beam Angle : 120°x 45°
- Lifespan : >20,000H
- Material : Die Cast Aluminium, Polycarbonate
- Dimension : 510*190*70
- Warranty : 2 Years

Luminous Intensity Distribution Curve



The Average Illuminance Effective Figure



Application Area

Amenity Lighting, Small road, Garden Road and Factory Area.

LUMILEDS



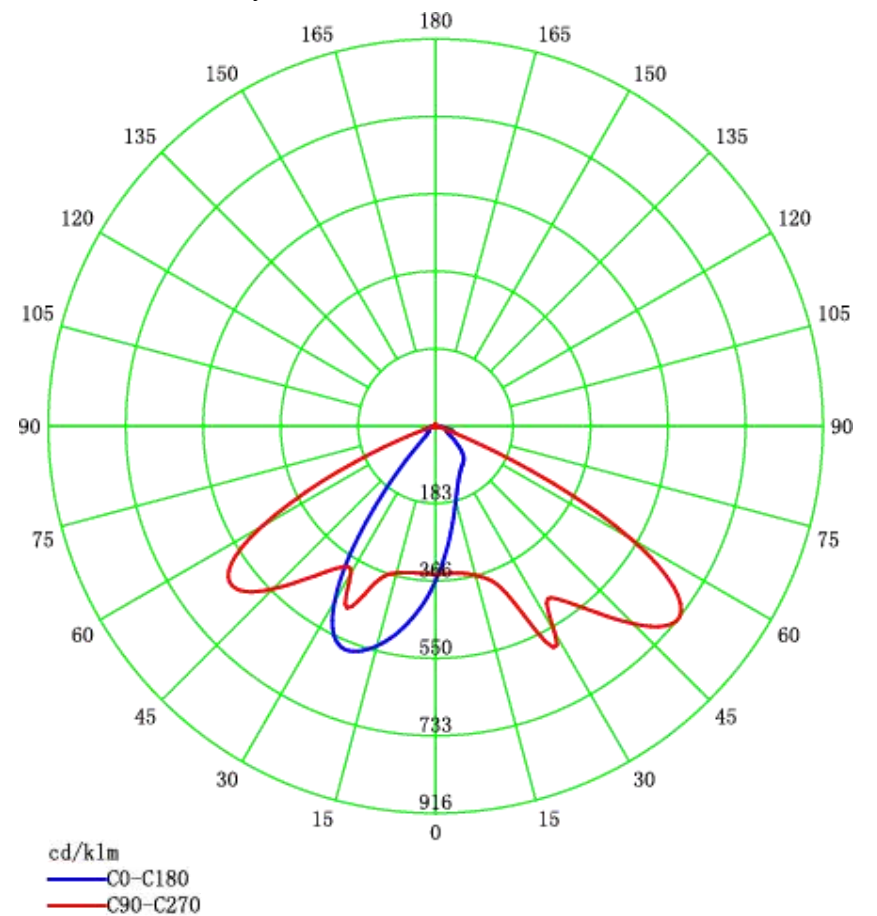
LUXEON 3030 2D

DL Series Street Light 150w

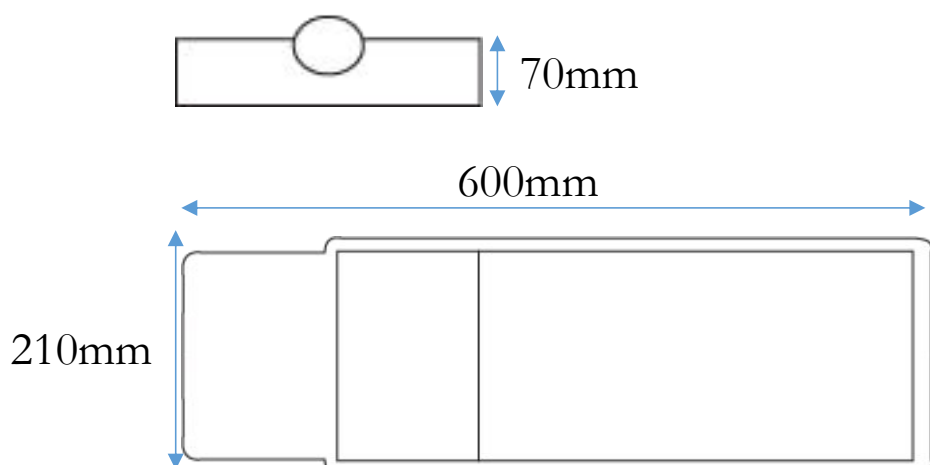
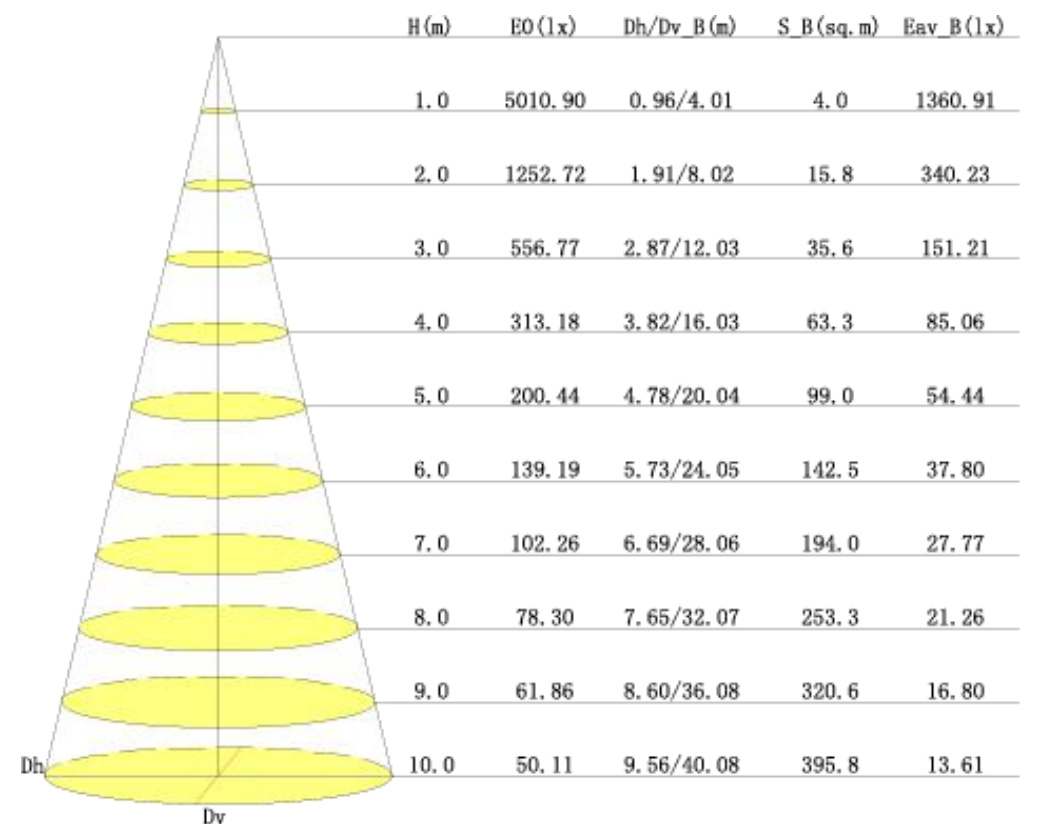


Code	: HLP-EC-SLDDL150-PZ-V
Power Consumption	: 150W
Input Voltage	: AC 110-240V
Input Current	: 0.601A
Frequency	: 50/60Hz
Power Factor	: 0.9 PF
Operating Temperature	: 20~50°C
CRI	: >70
Luminous Flux	: 13698.1 Lm
Luminous Efficiency	: 91.32 Lm/w
CCT	: 3000K / 4000K / 5700K
LED Source	: Philips Lumileds 3030 (LM80)
Driver	: HLP Driver
IP Rating	: IP 65
Beam Angle	: 120°x 45°
Lifespan	: >20,000H
Material	: Die Cast Aluminium, Polycarbonate
Dimension	: 600*210*70
Warranty	: 2 Years

Luminous Intensity Distribution Curve



The Average Illuminance Effective Figure



Application Area

Amenity Lighting, Small road, Garden Road and Factory Area.

